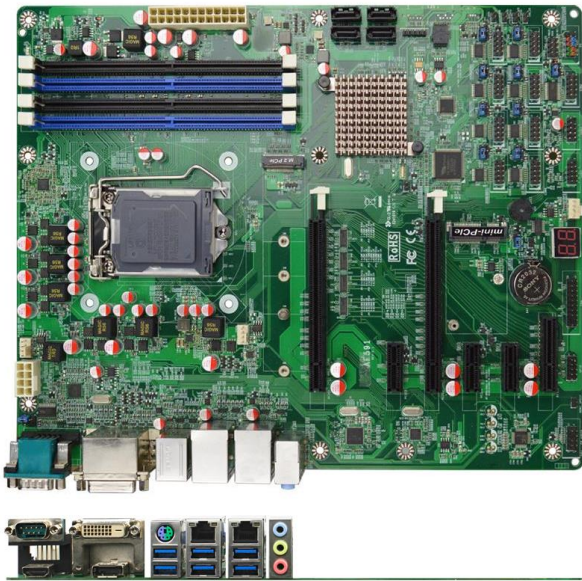
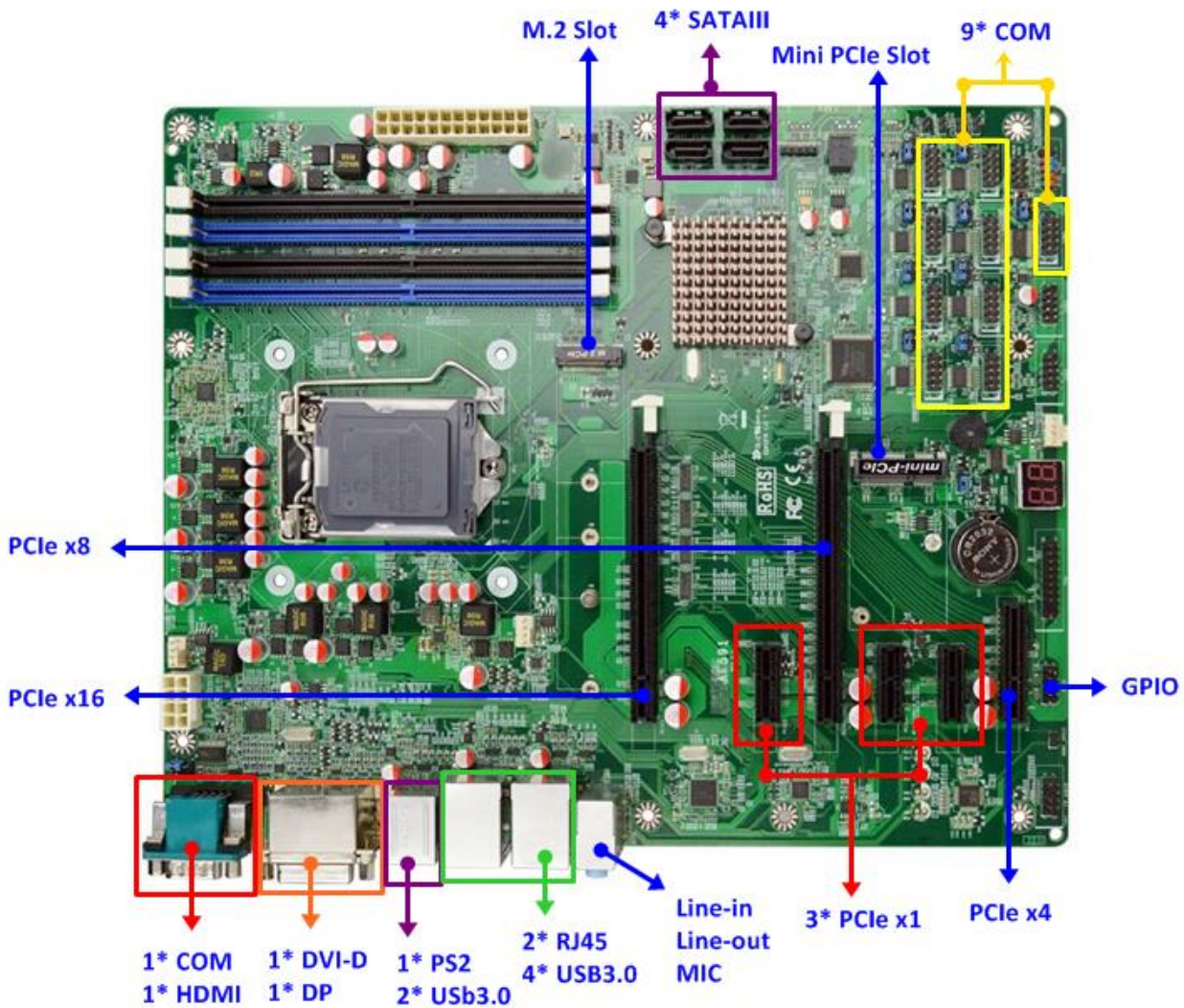


ATX Motherboard **NAF591-Q170**



1. Intel® Q170 Express Chipset
2. Supports Intel LGA 1151 Socket Core™ i3, i5, i7 & Pentium Processors (Max. 65W TDP)
3. Support 4 * 288 pin 2133MHz Dual CH DDR4 SDRAM U-DIMM Max. up to 64GB
4. Intel i219LM & i211AT Gigabit LAN
5. Support Intel Active Management Technology (iAMT 11.0)
6. Support TPM 2.0 function
7. Support CPU Smart FAN
8. Supports ACPI S3 Function
9. Support Watch dog Technology
10. ATX form factor (305mm * 244mm)



Product Specifications

Form Factor

Dimensions - ATX form factor (305mm * 244mm)

Processor System

CPU - Intel LGA 1151 Socket Core™ i3, i5, i7 & Pentium Processors

Core Number - (by CPU)

Max Speed - (by CPU)

L2 Cache - (by CPU)

Chipset - Intel® Q170 Express chipset

BIOS - AMI 128Mb SMT Flash ROM

Expansion Slot

Mini-PCIe - 1 (full size)

PCIe - 6 [1 x16, 1 x8, 3 x1]
Note: When PCIe x8 slot is used, PCIe x16 auto switch to PCIe x8 bandwidth.

M.2 - 1 [PCIe x4 M-key, 2242/2260/2280/22110 shared with SATA1(ME FW option)]

Memory

Technology - 4 * DDR4 2133MHz Dual CH

Max. - 64GB

Socket - 4 * U-DIMM

Graphics

Controller - Intel® Gen9 Graphics supports DX 11/12, OGL4.3/4.4

VRAM - Shared Memory

HDMI 2.0 - 1 (Max. resolution 4096*2160@60Hz)

DVI-D - 1 (Max. resolution 1920*1080@60Hz)

DisplayPort 1.2 - 1 (Max. resolution 4096*2304@60Hz)

MultiDisplay - Yes (Triple Display)

Ethernet

Ethernet - 10/100/1000 Mbps

Controller - GbE LAN: Intel i219LM & i211AT

Connector - 2 * RJ 45

SATA

Max Data Transfer Rate - 4 * SATAIII (6.0Gb/s)

Rear I/O

DVI-D - 1

HDMI - 1

DisplayPort - 1

Ethernet - 2

USB	- 6 (6 * USB 3.0)
Audio	- 1 (Line-in / MIC / Line-out)
Serial	- 1 (RS232/422/485 with 5V/12V selectable header)
PS2	- 1
Internal Connector	
USB	- 4 (4 * USB 2.0)
Serial	- 9 (COM2 RS232/422/485, COM3~10 RS232 with 5V/12V selectable header)
SATA	- 4 * SATAIII (6.0Gb/s)
mPCIe	- 1 (full size)
M.2	- 1 [PCIe x4 M-key, 2242/2260/2280/22110 shared with SATA1(ME FW option)]
TPM Header	- 1
GPIO 8-bit	- 4in / 4 out
Chassis intrusion	- 1
Audio Header	- 1
Watchdog Timer	
Output	- From Super I/O to drag RESETCON#
Interval	- 256 segments, 0,1,2...255sec/min
Power Requirements	
Input PWR	- 24-pin/8-pin ATX PWR Con
Power On	AT/ATX Supported - ATX: Press Button to PWR on after Power input ready
Certifications	
Certifications	- CE, FCC, RoHS, REACH
Environment	
Temperature	- Operating: 0°C – 60°C
	- Storage: -20°C – 85°C

- For further information please visit the website at <http://www.jetwayipc.com>
- The Specification may be changed without further notice.

Standard Accessories			
Parts	2* CABLE for SATA3 50cm	3* COM cable	I/O Shield
P/N	G01-SATA3-BL-1F	G01-COM9X3-30A-2F	F04-MB-042-F