

N11 Series

Intel® Tiger Lake-UP3 Processor, support DDR4 3200MHz up to 64GB

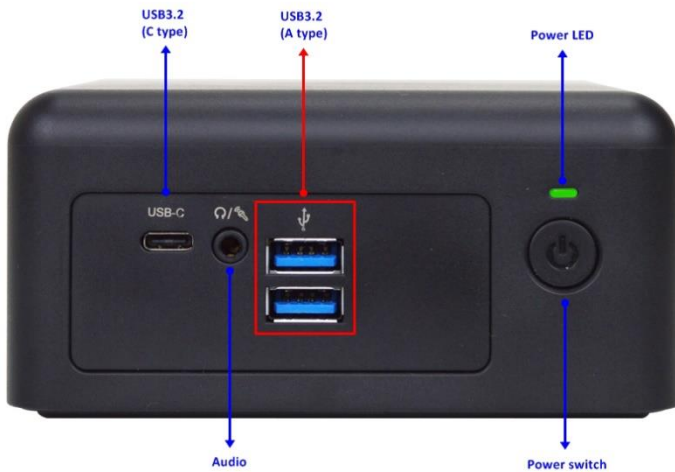
Features

1. Intel® 11th Gen. Tiger Lake-UP3 SoC Processor
2. 2* DDR4 3200MHz SO-DIMM up to 64GB
3. Rich and complete connection interfaces, support 4 sets of 4K HDR or 1* 8K output
4. 3* internal M.2 expansion slots for various applications

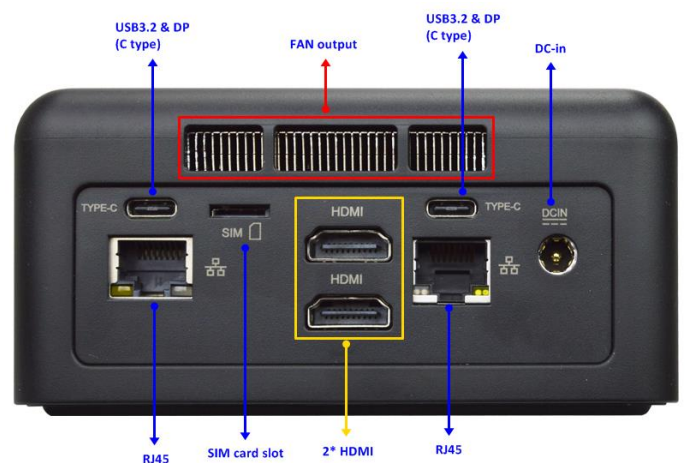


intel. FC CE RoHS
COMPLIANT

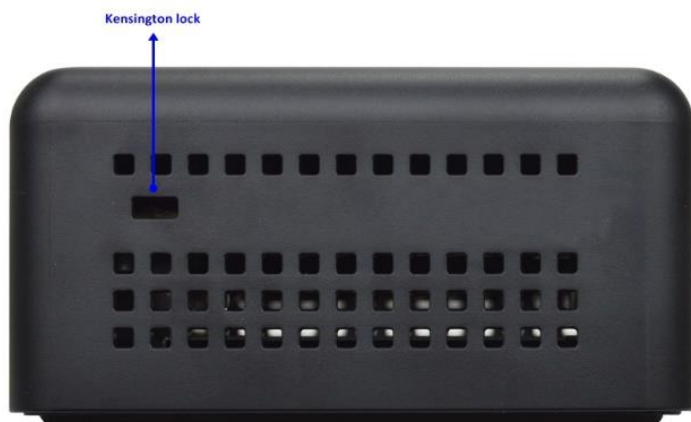
Front I/O



Rear I/O



Side I/O



Specifications

Model

- N11-1115 (CPU: i3-1115G4)
- N11-1115AB (CPU: i3-1115G4/8GB DRAM/512GB M.2 SSD)
- N11-1115ABA (CPU: i3-1115G4/8GB DRAM/512GB M.2 SSD/Win11 Home)
- N11-1135 (CPU: i5-1135G7)
- N11-1135AB (CPU: i5-1135G7/8GB DRAM/512GB M.2 SSD)
- N11-1135ABA (CPU: i5-1135G7/8GB DRAM/512GB M.2 SSD/Win11 Home)

BIOS

AMI Flash ROM

Network

- 1* Intel i219-LM GbE
- 1* Intel i225-V 2.5GbE

Storage

- 1* M.2 M-key 2242/2280 (PCIe4.0 x4/SATAIII interface) support NVMe
- 1* 2.5" SATA Device (support 2.5" HDD with a height ≤ 10mm)

Rear Panel I/O

- 2* USB3.2 (Gen.2) Type-C support DP1.4 display output
- 1* SIM Card slot
- 2* HDMI 2.0
- 2* RJ45
- 1* DC Jack

Internal Connector

- 1* SATAIII
- 1* AT/ATX mode jumper
- Onboard TPM2.0 (option)

Compliance

CE, FCC, RoHS, ErP Ready

Temperature

- Operating Temperature: -10 ~ 50° C
- Storage Temperature: -20 ~ 60° C
- Humidity : 90%, non-condensing

OS Support

Windows 11, Linux

Warranty

2 Years limited warranty

* Specifications subject to change without notice, not responsible for typographical errors. Does not include HDD or OS.

CPU / Chipset

Intel® Tiger Lake-UP3 Processor

Memory

2* DDR4 3200MHz up to 64GB

Graphics

- Intel® UHD / Iris Xe Graphics, shared memory
- 2* HDMI 2.0b (Max Resolution: 4096×2160@60Hz)
- 2* DP1.4 (Max Resolution: 4096×2304@60Hz) from Type-C
- Support Four independent 4K HDR or 1* 8K Displays

Expansion

- 1* M.2 E Key 2230 for WiFi module
- 1* M.2 B Key 3042/3052 for 4G/5G module

Front Panel I/O

- 1* Audio (Line out +MIC combo)
- 2* USB3.2 / A type (Gen.2)
- 1* USB3.2 / C type (Gen.2)
- 1* Power Button
- 1* Power LED

Power Source

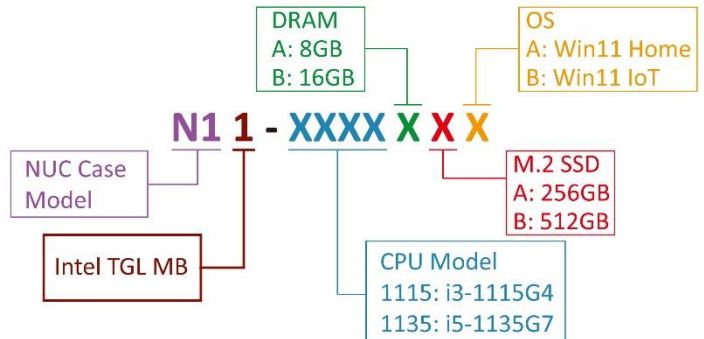
- MB : DC12~24V input
- Adapter : DC12V_90W

Dimensions

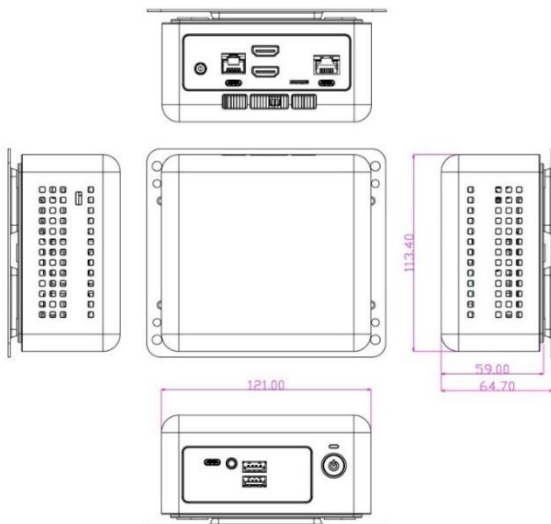
System: 121 (W) x 113.4 (D) x 59 (H) mm

Box: 244 (W) x 183 (D) x 118 (H) mm

Part Number Rules



Mechanical Drawings (Unit=mm)



Standard Accessories

Part Number	Description
N11-1115	N11-1115 Barebone, Intel Tiger Lake-UP3 1115G4 CPU
N11-1135	N11-1135 Barebone, Intel Tiger Lake-UP3 1135G7 CPU
L01AS064-F	Adapter DC12V_90W
Change according to shipping area	Power cord
LCSCBHC3XX-F	Screw pack
HCS310MWM01B-2F	Wall + VESA mount kits (option)