

Intel® Tiger Lake-UP3 Processor, support DDR4 3200MHz up to 64GB

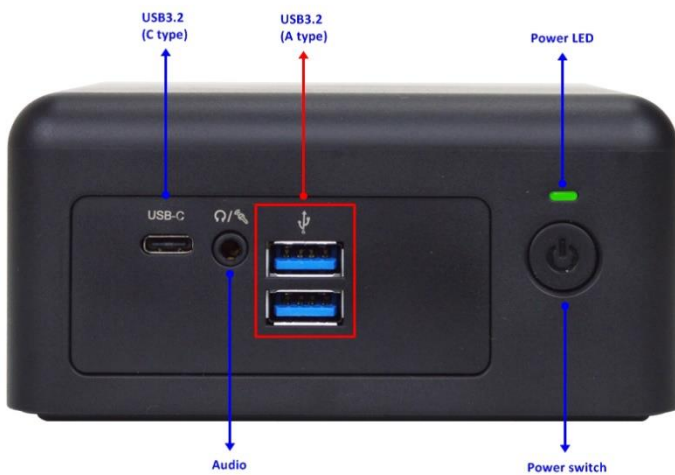
## Features

1. Intel® 11th Gen. Tiger Lake-UP3 SoC Processor
2. 2\* DDR4 3200MHz SO-DIMM up to 64GB
3. Rich and complete connection interfaces, support 4 sets of 4K HDR or 1\* 8K output
4. 3\* internal M.2 expansion slots for various applications

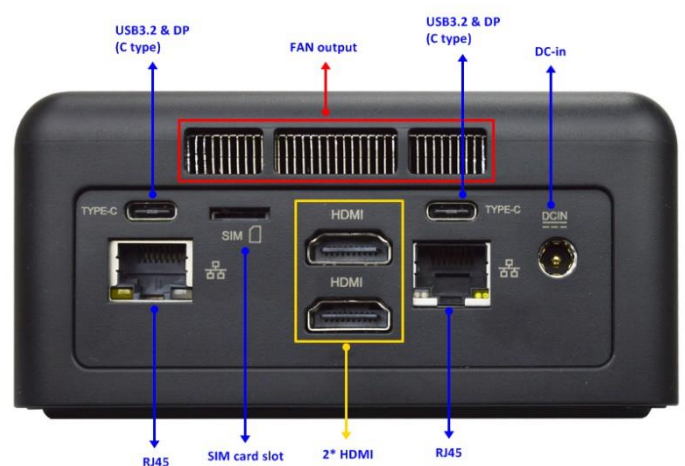


intel. FC CE RoHS COMPLIANT

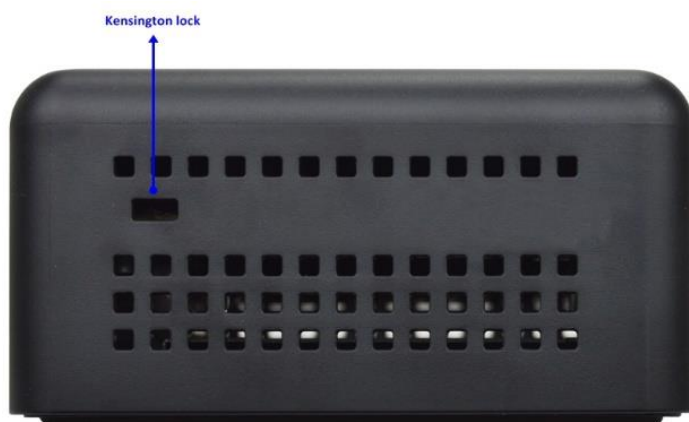
## Front I/O



## Rear I/O



## Side I/O



## Specifications

### Model

- N11-1115 (CPU: i3-1115G4)
- N11-1115AB (CPU: i3-1115G4/8GB DRAM/512GB M.2 SSD)
- N11-1115ABA (CPU: i3-1115G4/8GB DRAM/512GB M.2 SSD/Win11 Home)
- N11-1135 (CPU: i5-1135G7)
- N11-1135AB (CPU: i5-1135G7/8GB DRAM/512GB M.2 SSD)
- N11-1135ABA (CPU: i5-1135G7/8GB DRAM/512GB M.2 SSD/Win11 Home)

### BIOS

AMI Flash ROM

### Network

- 1\* Intel i219-LM GbE
- 1\* Intel i225-V 2.5GbE

### Storage

- 1\* M.2 M-key 2242/2280 (PCIe4.0 x4/SATAIII interface) support NVMe
- 1\* 2.5" SATA Device (support 2.5" HDD with a height ≤ 10mm)

### Rear Panel I/O

- 2\* USB3.2 (Gen.2) Type-C support DP1.4 display output
- 1\* SIM Card slot
- 2\* HDMI 2.0
- 2\* RJ45
- 1\* DC Jack

### Internal Connector

- 1\* SATAIII
- 1\* AT/ATX mode jumper
- Onboard TPM2.0 (option)

### Compliance

CE, FCC, RoHS, ErP Ready

### Temperature

- Operating Temperature: -10 ~ 50° C
- Storage Temperature: -20 ~ 60° C
- Humidity : 90%, non-condensing

### OS Support

Windows 11, Linux

### Warranty

2 Years limited warranty

\* Specifications subject to change without notice, not responsible for typographical errors. Does not include HDD or OS.

### CPU / Chipset

Intel® Tiger Lake-UP3 Processor

### Memory

2\* DDR4 3200MHz up to 64GB

### Graphics

- Intel® UHD / Iris Xe Graphics, shared memory
- 2\* HDMI 2.0b (Max Resolution: 4096×2160@60Hz)
- 2\* DP1.4 (Max Resolution: 4096×2304@60Hz) from Type-C
- Support Four independent 4K HDR or 1\* 8K Displays

### Expansion

- 1\* M.2 E Key 2230 for WiFi module
- 1\* M.2 B Key 3042/3052 for 4G/5G module

### Front Panel I/O

- 1\* Audio (Line out +MIC combo)
- 2\* USB3.2 / A type (Gen.2)
- 1\* USB3.2 / C type (Gen.2)
- 1\* Power Button
- 1\* Power LED

### Power Source

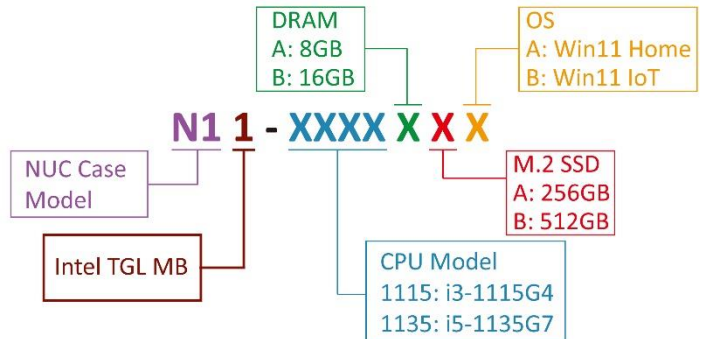
- MB : DC12~24V input
- Adapter : DC12V\_90W

### Dimensions

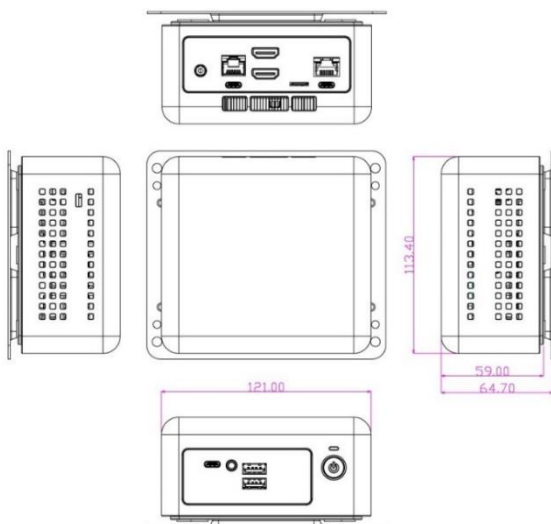
System: 121 (W) x 113.4 (D) x 59 (H) mm

Box: 244 (W) x 183 (D) x 118 (H) mm

## Part Number Rules



## Mechanical Drawings (Unit=mm)



## Standard Accessories

Part Number	Description
N11-1115	N11-1115 Barebone, Intel Tiger Lake-UP3 1115G4 CPU
N11-1135	N11-1135 Barebone, Intel Tiger Lake-UP3 1135G7 CPU
L01AS064-F	Adapter DC12V_90W
Change according to shipping area	Power cord
LCSCBJC3XX-F	Screw pack
HCS310MWM01B-2F	Wall + VESA mount kits (option)