

MP01 Series

PICO-ITX size Motherboard with Intel® Elkhart Lake Processor, support DDR4 up to 32GB, 1* M.2 (M-key), 1* M.2 (E-key), support dual display (1* HDMI and 1*eDP)

Features

1. Intel® Elkhart Lake SoC Processor
2. 1* DDR4 3200MHz SO-DIMM up to 32GB
3. 1* HDMI, 1* eDP
4. 1* COM, 2* USB3.1 (Gen.2) Type-A, 2* USB2.0, 1*USB3.1 (Gen.2) Type-C
5. 1* M.2 M-key 2242 (SATA/PCIe Gen.3 x2 interface) support NVME, 1* M.2 E-key 2230 (USB2.0/PCIe Gen.3 x1 interface)
6. Onboard 64GB eMMC option (MP01-62104)
7. 12V DC-in



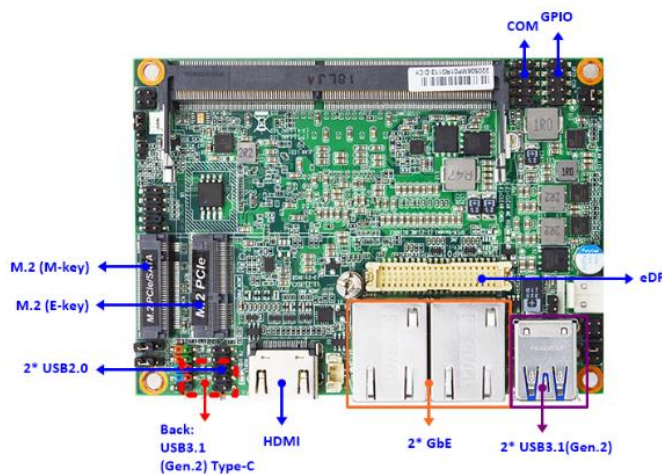
Overview

The JETWAY MP01 Series adopts the Intel® Elkhart Lake SoC processor. MP01 Series equipped with DDR4 SO-DIMM slot and M.2 (M-key, 2242) which is suitable for most of the Digital Signage applications. In addition, it offers flexible expansion with M.2 (E-key, 2230) slot and M.2 (M-key, 2242) which can connect other add-on modules. MP01 Series also has two USB 3.1 (Gen.2) type-A, one USB 3.1 (Gen.2) type-C, two USB 2.0, and one RS232/422/485 port. Customers can connect different peripherals to meet their needs. MP01 Series also support one HDMI and one eDP dual display which can be used for Digital Signage needs. All of the MP01 Series designs provide rich features with small dimension.

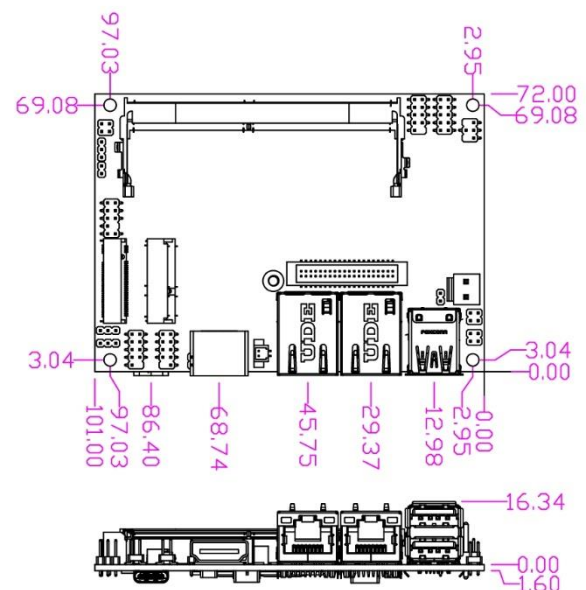
Application

Digital Signage / Intelligent Home /IOT Solution

I/O Diagram



Mechanical Drawings (Unit=mm)



Specifications

Model

- MP01-62100 (N6210)
- MP01-62104 (N6210, 64GB eMMC)

Processor System

- Intel® Elkhart Lake N6210 SoC Processor
- AMI Flash ROM BIOS

Storage

- 1* M.2 M-key (2242, SATA/PCIe Gen.3 x2 interface) support NVME
- 64GB eMMC 5.1 on board option (MP01-62104)

Ethernet

2* Realtek RTL8119I GbE

Audio

HD audio: Realtek ALC888S

Internal I/O

- 2* USB2.0
- 1* COM (RS232/422/485)
- 1* eDP
- 1* 64GB eMMC option (MP01-62104)
(If use Win 10 OS, we recommend the eMMC is use for OS boot up purpose.)
- 1* Chassis intrusion
- 1* GPIO
- 1* Audio Header
- 1* Buzz
- 1* SMBUS
- 1* AT mode
- 12V DC-in Header

Power

12V DC-in PWR

- AT: Directly PWR on as Power input ready
- ATX: Press Button to PWR on after Power input ready

Temperature

- Operating Temperature: 0 ~ 60° C
- Storage Temperature: -20 ~ 85° C
- Humidity: 10% ~ 90% RH @40°C (non-condensing)

Warranty

2 Years limited warranty

Form Factor

2.5" (100 * 72mm)

Memory

1* DDR4 3200MHz SO-DIMM up to 32GB

Expansion

- 1* M.2 E-key (2230, USB2.0/PCIe Gen.3 x1 interface)

Graphics

- Intel® HD Graphics, shared memory
- 1* eDP 1.3b (Max Resolution: 4096x2160@60Hz)
- 1* HDMI 2.0b (Max Resolution: 4096x2160@60Hz)
- Support Dual Displays

Watchdog Timer

- From Super I/O to drag RESETCON#
- 256 segments (10sec ~ 255min)

External I/O

Rear:

- 2* USB3.1 (Gen.2)
- 1* USB3.1 (Gen.2) Type-C
- 1* HDMI
- 2* RJ45

Compliance

CE, FCC, LVD, RoHS, REACH

OS Support

UEFI Win10 64-bit, Win 10 IoT Enterprise 64-bit LTSC 2019, UEFI Win 11 64-bit, UEFI Win 11 IoT Enterprise, CentOS (Version 8.3.2011), Debian (Version 11.1.0), Fedora-LXDE (Version 33-1.2), Fedora Workstation (Version 33-1.2), Fedora Server (Version 33-1.2), Ubuntu Standard / LTS (Version 20.04.3), Ubuntu Server (Version 20.04.3), pfSense (Version 2.5.2), TureNAS (Version 12.0-U2.1), OPNSense (Version 21.7.1)

* Specifications subject to change without notice, not responsible for typographical errors. Does not include HDD or OS.

Standard Accessories

Part Number	Description
MP01 Series	MP01 Series M/B
G01-COM-H2M22-1F	1* COM cable
G01-PWDCJK-2P20-F	1* DC-12V 2P Lock-to-DC-JACK
F05-JMP01-F	1* Flat type Heatsink