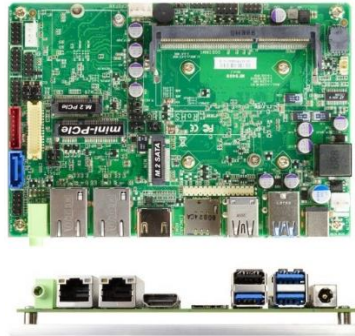




MF94 Series

Intel® Apollo Lake SoC processor, DDR3L up to 8GB, 1* M.2 (M-key), 1* M.2 (B-key), 2* GbE, 9~36V DC-in

1. Intel® Apollo Lake SoC Processor
2. 1* DDR3L 1866MHz SO-DIMM up to 8GB
3. 2* 10/100/1000 Base-TX Ethernet Ports
4. 1* HDMI, 1* eDP, 1* LVDS
5. 2* COM, 3* USB3.1 (Gen.1), 3* USB2.0
6. 1* M.2 M-key 2242, 1* M.2 B-key 3042 W/SIM card holder
7. 1* Full size Mini-PCIe, 1* SATA III (6Gb/s)
8. Support 9~36V DC-in



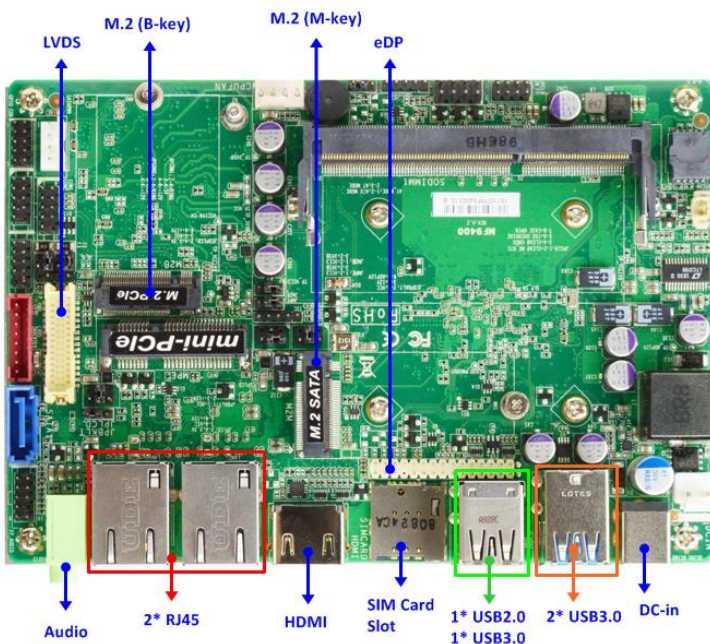
Overview

The JETWAY MF94 is 3.5" form factor board adopts the Intel® Apollo Lake SoC Processor. The board supports one SO-DIMM DDR3L 1866Mhz memory, up to 8GB. Featuring the integrated Intel® Gigabit Ethernet controller, the MF94 offers two 10/100/1000Base-TX Ethernet device for network transmission. One SATAIII (6Gb/s) interface and one M.2 M-key offer storage devices. Three USB3.1 Gen.1 ports, Three USB2.0 ports and two COM ports provide versatile expansion. The M.2 B-key 3042 can support 3G/4G/LTE. The MF94 offers one HDMI port, one eDP port and one LVDS. Because of the above features, MF94 is suitable for Panel PC, IOT Solution applications.

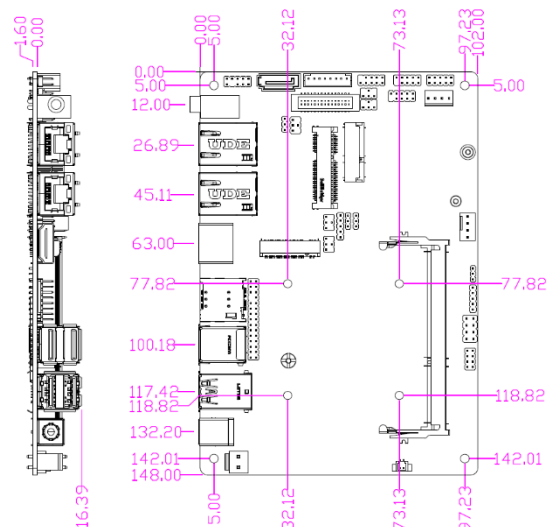
Application

Panel PC / IOT Solution

I/O Diagram



Mechanical Drawings (Unit = mm)



Specifications

| | |
|--|--|
| Model MF94-00 (J3455 CPU_10W) MF94-90 (E3940 CPU_9.5W) | Form Factor 3.5" (5.8-in * 4.0-in, 148 * 102mm) |
| Processor System <ul style="list-style-type: none"> Intel® Apollo Lake J3455 / E3940 SoC Processor (TDP 10W/9.5W) AMI Flash ROM BIOS | Expansion Slot <ul style="list-style-type: none"> 1* M.2 M-key (2242) Support SATA interface 1* M.2 B-key (3042) Support USB3.0 & PCIe1 interface W/SIM card holder 1* Full size Mini-PCIe Support USB2.0 & PCIe1 interface |
| Memory 1* SO-DIMM DDR3L 1866MHz SDRAM non-ECC up to 8GB | Graphics <ul style="list-style-type: none"> Intel® HD Graphics, shared memory 1* eDP (Max Resolution: 4096x2304@60Hz) 1* LVDS (Max Resolution: 1920 x 1080@60Hz) 1* HDMI (Max Resolution: 3840x2160@ 30 Hz) |
| Ethernet 2* Intel® GbE (2* i211AT) | Audio 6 channel HD audio: Realtek® ALC662VD |
| Storage 1* SATAIII | Integrated Storage N/A |
| Rear I/O <ul style="list-style-type: none"> 3* USB3.1 (Gen1), 1* USB2.0 1* HDMI 2* RJ45 1* SIM card slot (W/M.2 B-key, 3042) Line-Out DC-in (9~36V) | Internal Connector <ul style="list-style-type: none"> 2* USB2.0 1* eDP 1* LVDS w/ Inverter 1* RS232 1* RS232/422/485 1* SATAIII 1* GPIO (8 bit) 1* Audio Header 1* SMBUS 1* I2C 1* CPU FAN 1* TPM2.0 onboard (option) |
| Watchdog Timer <ul style="list-style-type: none"> From Super I/O to drag RESETCON# 256 segments (10sec ~ 255min) | Power DC-IN 9~36V AT/ATX mode Supported - AT: Directly PWR on as Power input ready - ATX: Press Button to PWR on after Power input ready |
| Compliance CE, FCC, LVD, RoHS, REACH | Temperature <ul style="list-style-type: none"> Operating: MF94-00: 0°C ~ 60°C MF94-90: -40°C ~ 85°C Storage: -40°C ~ 85°C |
| Warranty 2 Years Limited Warranty | |

* Specifications subject to change without notice, not responsible for typographical errors. Does not include HDD or OS.

Accessories

| Parts Number | Description | Parts Number | Description |
|--------------|-----------------|--------------|-------------|
| ----- | MF94 Series M/B | | |