

MF94V Series

Intel® Apollo Lake SoC processor, DDR3L up to 8GB, 1* M.2 (M-key), 1* M.2 (B-key), 2* 2.5GbE, 9~36V DC-in

1. Intel® Apollo Lake SoC Processor
2. 1* DDR3L 1866MHz SO-DIMM up to 8GB
3. 2* 10/100/1000/2500 Base-TX Ethernet Ports
4. 1* HDMI, 1* eDP, 1* LVDS
5. 2* COM, 3* USB3.1 (Gen.1), 3* USB2.0
6. 1* M.2 M-key 2242, 1* M.2 B-key 3042 W/SIM card holder
7. 1* Full size Mini-PCIe, 1* SATA III (6Gb/s)
8. Support 9~36V DC-in



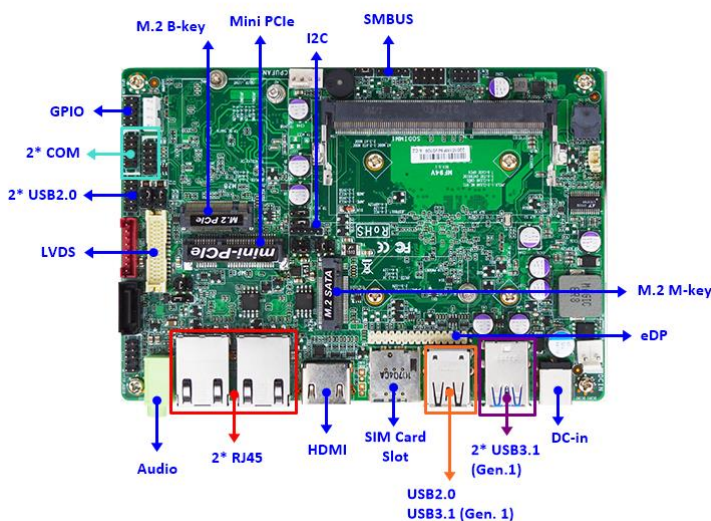
Overview

The JETWAY MF94V is 3.5" form factor board adopts the Intel® Apollo Lake SoC Processor. The board supports one SO-DIMM DDR3L 1866MHz memory, up to 8GB. Featuring the integrated two Intel® 2.5 Gigabit Ethernet controller, the MF94V offers two 10/100/1000/2500Base-TX Ethernet device for network transmission. One SATAIII (6Gb/s) interface and one M.2 M-key offer storage devices. Three USB3.1 Gen.1 ports, Three USB2.0 ports and two COM ports provide versatile expansion. The M.2 B-key 3042 can support 3G/4G/LTE. The MF94V offers one HDMI port, one eDP port and one LVDS. Because of the above features, MF94V is suitable for Panel PC, IOT Solution applications.

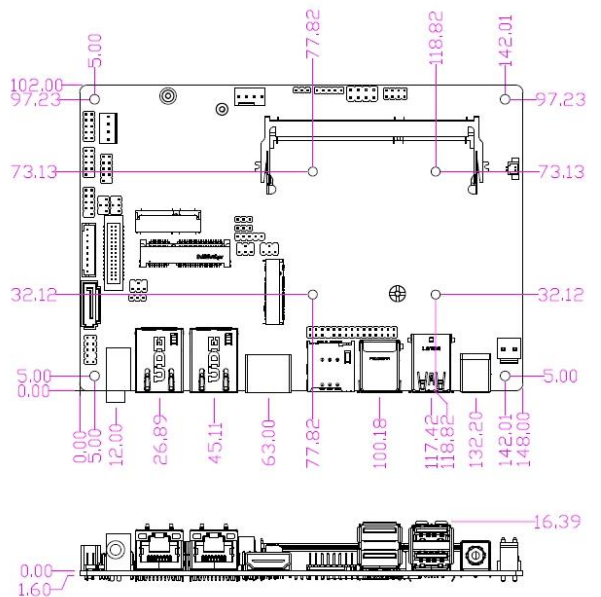
Application

Panel PC / IOT Solution

I/O Diagram



Mechanical Drawings (Unit = mm)



Specifications

Model	Form Factor
<ul style="list-style-type: none">MF94V00 (J3455 CPU_10W, Default)MF94V90 (E3940 CPU_9.5W)	3.5" (5.8-in * 4.0-in, 148 * 102mm)
Processor System	Expansion Slot
<ul style="list-style-type: none">Intel® Apollo Lake J3455 / E3940 SoC Processor (TDP 10W/9.5W)AMI Flash ROM BIOS	<ul style="list-style-type: none">1* M.2 M-key (2242) Support SATA interface1* M.2 B-key (3042) Support USB3.0 & PCIe1 interface W/SIM card holder1* Full size Mini-PCIe Support USB2.0 & PCIe1 interface
Memory	Graphics
1* SO-DIMM DDR3L 1866MHz SDRAM non-ECC up to 8GB	<ul style="list-style-type: none">Intel® HD Graphics, shared memory1* eDP (Max Resolution: 4096x2304@60Hz)1* LVDS (Max Resolution: 1920 x 1080@60Hz)1* HDMI (Max Resolution: 3840x2160@ 30Hz)
Ethernet	Audio
2* Intel® 2.5GbE (2* i225-V)	6 channel HD audio: Realtek® ALC888S
Storage	Integrated Storage
1* SATAIII	N/A
Rear I/O	Internal Connector
<ul style="list-style-type: none">3* USB3.1 (Gen1)1* USB2.01* HDMI2* RJ451* SIM card slot (W/M.2 B-key, 3042)Line-OutDC-in (9~36V)	<ul style="list-style-type: none">2* USB2.01* eDP1* LVDS w/ Inverter1* RS2321* RS232/422/4851* SATAIII1* GPIO (8 bit)1* Audio Header1* SMBUS1* I2C1* CPU FAN1* TPM2.0 onboard (option)
Watchdog Timer	Power
<ul style="list-style-type: none">From Super I/O to drag RESETCON#256 segments (10sec ~ 255min)	DC-IN 9~36V AT/ATX mode Supported - AT: Directly PWR on as Power input ready - ATX: Press Button to PWR on after Power input ready
Compliance	Temperature
CE, FCC, LVD, RoHS, REACH	<ul style="list-style-type: none">Operating: MF94V00: 0°C ~ 60°C MF94V90: -40°C ~ 85°CStorage: -40°C ~ 85°C
Warranty	
2 Years Limited Warranty	

* Specifications subject to change without notice, not responsible for typographical errors. Does not include HDD or OS.

Standard Accessories

Part Number	Description	Q'ty
	MF94V M/B	1
G01-COM-H2M22-1F	COM cable	2
G01-PW4PS-2S-322F	SATA PWR cable	1
G01-SATA3-BL-1F	SATA cable	1