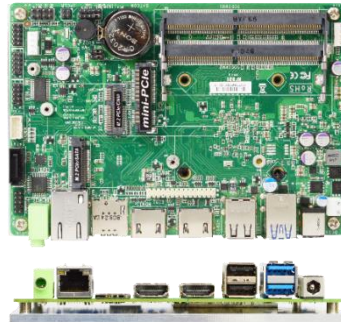


## JNF931 Series

Intel® Gemini Lake-R SoC CPU, Support DDR4 up to 8GB, Dual 4k@60Hz HDMI, Support Intel CNVi

1. Intel® Gemini Lake-R SoC Processor
2. 2\* DDR4 2400MHz SO-DIMM up to 8GB
3. 1\* 10/100/1000 Base-TX Ethernet Ports
4. 2\* HDMI, 1\* eDP support triple display
5. 1\* COM, 2\* USB3.1 (Gen.1), 4\* USB2.0
6. 1\* M.2 M-key (2242/2280) support NVMe, 1\* M.2 E-key (2230 w/ CNVi)
7. 1\* SATA III (6Gb/s), 32GB eMMC onboard (JNF931G32-4125)



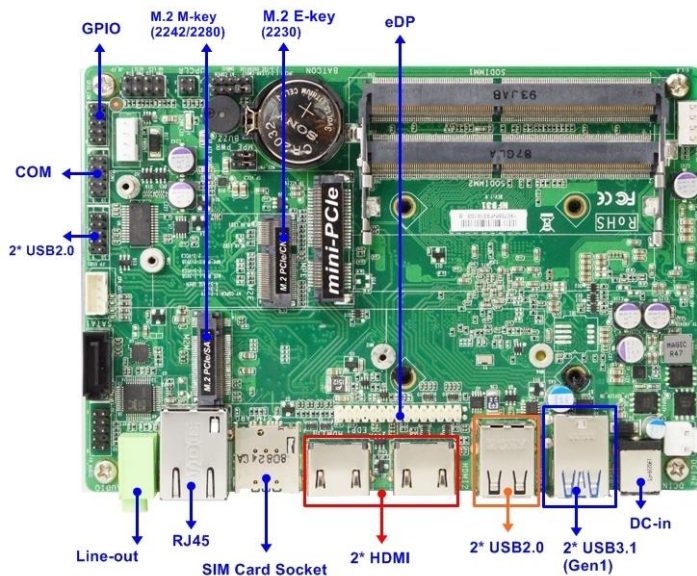
### Overview

The JETWAY JNF931 is 3.5" form factor board adopts the Intel® Gemini Lake/Gemini Lake-R SoC Processor. The board supports two SO-DIMM DDR4 2400Mhz memory, up to 8GB. Featuring the integrated Intel® Gigabit Ethernet controller, the JNF931 offers one 10/100/1000Base-TX Ethernet device for network transmission. 32GB onboard eMMC and one SATAIII (6Gb/s) interface and one M.2 M-key support NVMe offer storage devices. Two USB3.1 Gen.1 ports, four USB2.0 ports and one COM port provide versatile expansion. The M.2 E-key can support WIFI/3G/4G and Intel CNVi interface. The JNF931 offers two HDMI2.0 ports and one eDP port which can support 3 independent displays. Because of the above features, JNF931 is suitable for Digital Signage, IOT Solution applications.

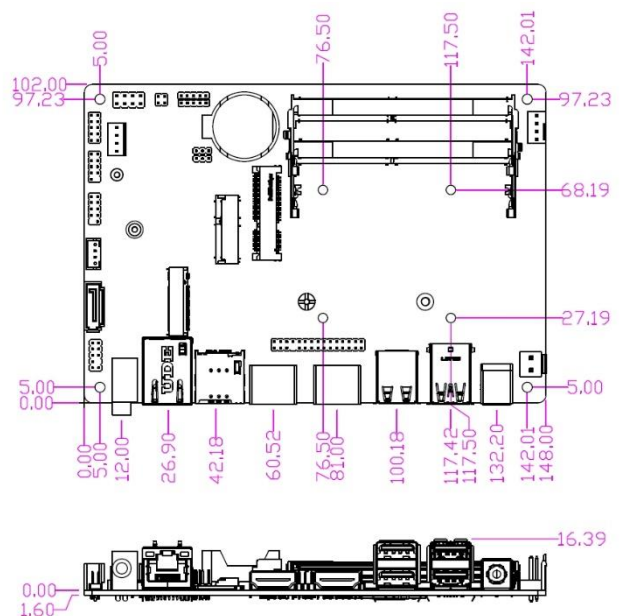
### Application

Digital Signage/IOT Solution

### I/O Diagram



### Mechanical Drawings (Unit = mm)



## Specifications

<b>Model</b> <ul style="list-style-type: none"><li>JNF931G32-4125 (Default)</li><li>JNF931-4125</li></ul>	<b>Form Factor</b> <p>3.5" (5.8-in * 4.0-in, 148 * 102mm)</p>
<b>Processor System</b> <ul style="list-style-type: none"><li>Intel® Gemini Lake-R SoC Processor</li><li>AMI Flash ROM BIOS</li></ul>	<b>Expansion Slot</b> <ul style="list-style-type: none"><li>M.2 E-key (2230) Support CNVi, USB2.0 &amp; PCIe1 interface</li><li>1* full size Mini-PCIe Support USB2.0 &amp; PCIe1 interface</li></ul>
<b>Memory</b> <p>2* SO-DIMM DDR4 2400MHz Dual CH SDRAM non-ECC up to 8GB</p>	<b>Graphics</b> <ul style="list-style-type: none"><li>Intel® HD Graphics, shared memory</li><li>1* eDP (Max Resolution: 4096x2304@60Hz)</li><li>2* HDMI 2.0 (Max Resolution: 4096x2160@60Hz)</li><li>Support Triple Displays</li></ul>
<b>Ethernet</b> <p>1* Intel GbE (1* i211AT)</p>	<b>Audio</b> <ul style="list-style-type: none"><li>6 channel HD audio: Realtek ALC662VD</li><li>3W AMP speaker</li></ul>
<b>Storage</b> <ul style="list-style-type: none"><li>1* SATAIII</li><li>32GB onboard eMMC (JNF931G32-4125)</li><li>M.2 M-key (2242/2280) Support PCIe2(NVMe) &amp; SATA interface</li></ul>	<b>Integrated Storage</b> <p>1* 32GB eMMC (JNF931G32-4125)</p>
<b>Rear I/O</b> <ul style="list-style-type: none"><li>2* USB3.1 (Gen1)</li><li>2* USB2.0</li><li>2* HDMI</li><li>1* Ethernet</li><li>1* SIM card slot</li><li>Line-out</li><li>DC-in (12V)</li></ul>	<b>Internal Connector</b> <ul style="list-style-type: none"><li>2* USB2.0</li><li>1* eDP</li><li>1* RS232</li><li>1* SATAIII</li><li>1* GPIO (8 bit)</li><li>1* Audio Header</li><li>1* SMBUS</li><li>1* CPU FAN</li><li>1* AT mode</li></ul>
<b>Watchdog Timer</b> <ul style="list-style-type: none"><li>From Super I/O to drag RESETCON#</li><li>256 segments (10sec ~ 255min)</li></ul>	<b>Power</b> <p>DC-IN 12V</p> <ul style="list-style-type: none"><li>AT: Directly PWR on as Power input ready</li><li>ATX: Press Button to PWR on after Power input ready</li></ul>
<b>Compliance</b> <p>CE, FCC, LVD, RoHS, REACH</p>	<b>Temperature</b> <ul style="list-style-type: none"><li>Operating: 0°C ~ 60°C</li><li>Storage: -20°C ~ 85°C</li></ul>
<b>Warranty</b> <p>2 Years Limited Warranty</p>	

\* Specifications subject to change without notice, not responsible for typographical errors. Does not include HDD or OS.

## Standard Accessories

Parts Number	Description	Parts Number	Description
-----	JNF931Series M/B		
G01-PW4PS2S-322-1F	1* SATA Power cable	HCS3XXMHT03S-1F	1* Flat type Heatsink
G01-SATA3-BL-1F	1* SATAIII cable		