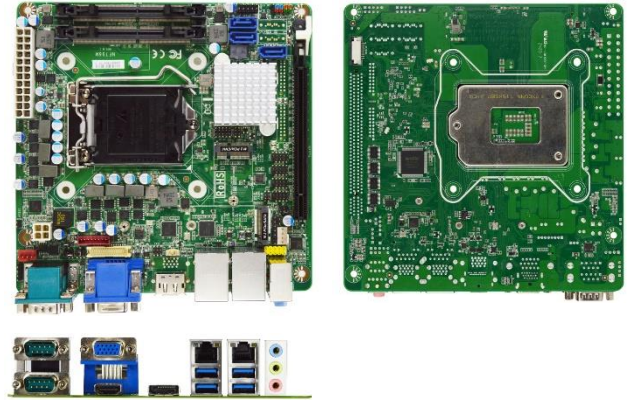


## JNF796M-H310

Mini-ITX Embedded Motherboard, 8<sup>th</sup>/9<sup>th</sup> Generation Intel® Core™ i7/ i5 /i3, Pentium® LGA1151 Socket Processor, Max. 65W TDP

1. Intel® 8<sup>th</sup>/9<sup>th</sup> LGA1151 Socket Processor (Max. 65W TDP)
2. 2 \* DDR4 2400/2666MHz SO-DIMM up to 64GB
3. 2 \* 10/100/1000 Base-TX Ethernet Ports
4. 1 \* HDMI, 1 \* DP, 1 \* VGA, 1 \* 24-bits Dual CH LVDS
5. 6 \* COM (COM1/2 support RS232/422/485), 4 \* USB3.1 Gen.1, 2 \* USB2.0
6. 1 \* PCIe x16 slot, 1 \* M.2 M-key 2242/2280 (SATA/PCIex4) support NVMe, 1\* M.2 E-key 2230 (PCIex1/USB2.0) support CNVi
7. 3 \* SATA III (6Gb/s)
8. Support onboard TPM 2.0 (option)



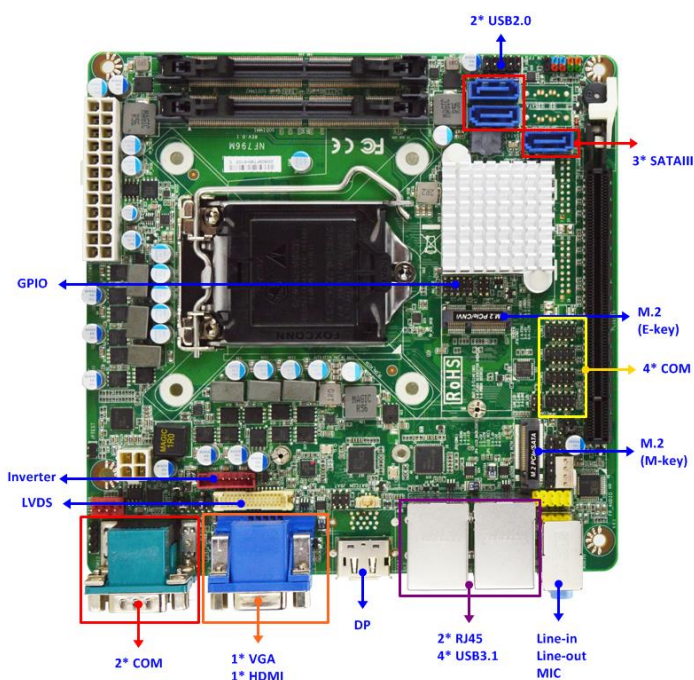
### Overview

The JETWAY JNF796M-H310 is Mini-ITX form factor board adopts the Intel® 8<sup>th</sup>/9<sup>th</sup> generation Core i7/i5/i3, Pentium and Celeron Processor. The board supports two SO-DIMM DDR4 2400/2666MHz memory, up to 64GB. Featuring the integrated Intel® Gigabit Ethernet controller, the JNF796M-H310 offers two 10/100/1000Base-TX Ethernet devices for network transmission. Three SATAIII (6Gb/s) interface and one M.2 M-key 2242/2280 (SATA/PCIex4) support NVMe offer storage devices. One M.2 E-key 2230 (PCIex1/USB2.0) support CNVi, four USB3.1 Gen.1 ports, two USB2.0 ports and six COM port provide versatile expansion. The PCIe16 slot can support Jetway riser card for different expansion. The JNF796M-H310 offers one HDMI1.4 port, one DP1.4 port, one VGA port and one 24-bits Dual CH LVDS which can support 2 independent displays. Because of the above features, JNF796M-H310 is suitable for Digital Signage, Industrial PCs, Factory Automation, Public Sector, Digital Security and Surveillance applications.

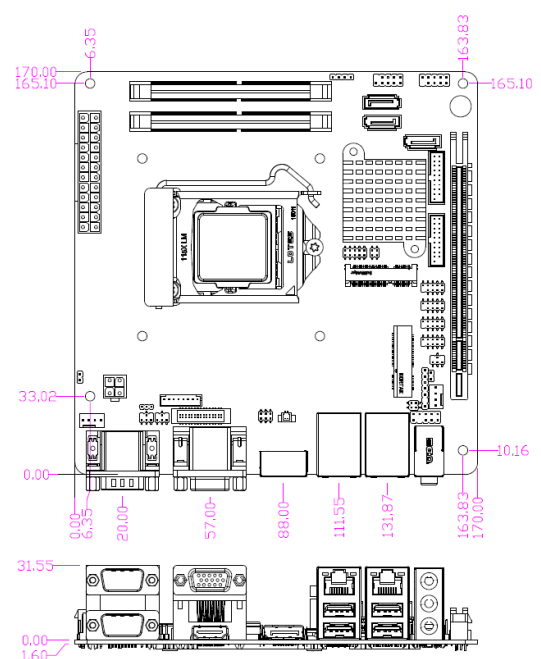
### Application

Digital Signage / Industrial PCs / Factory Automation / Public Sector / Digital Security / Surveillance

### I/O Diagram



### Mechanical Drawings (Unit = mm)



## Specifications

<b>Model</b>	JNF796M-H310	<b>Form Factor</b>	Mini-ITX (6.7-in * 6.7-in, 170 * 170mm)
<b>Processor System</b>	<ul style="list-style-type: none"><li>Intel® 8<sup>th</sup>/9<sup>th</sup> LGA 1151 Socket Core i7/i5/i3/Pentium/Celeron Processor (Max. 65W TDP)</li><li>Intel H310 Express chipset</li><li>AMI 128Mb Flash ROM BIOS</li></ul>	<b>Expansion Slot</b>	<ul style="list-style-type: none"><li>1* M.2 E-key 2230 (PCIex1/USB2.0) support CNVi</li><li>1* PCIex16 slot</li></ul>
<b>Memory</b>	2* Dual CH DDR4 2400/2666MHz SDRAM SO-DIMM up to 64GB	<b>Graphics</b>	<ul style="list-style-type: none"><li>Intel® HD Graphics, shared memory</li><li>1* VGA (Max Resolution: 1920x1200@60Hz)</li><li>1* LVDS (Max Resolution: 1920x1200@60Hz)</li><li>1* HDMI 1.4 (Max Resolution: 4096x2160@30Hz)</li><li>1* DP (Max Resolution: 4096x2304@60Hz)</li><li>Support Dual Displays</li></ul>
<b>Ethernet</b>	1 * Intel i219LM & 1 * Intel i211AT GbE	<b>Audio</b>	6 channel HD audio: Realtek ALC662VD
<b>Storage</b>	<ul style="list-style-type: none"><li>3* SATAIII</li><li>1* M.2 M-key 2242/2280 (SATA/PCIex4) support NVMe</li></ul>	<b>Rear I/O</b>	<ul style="list-style-type: none"><li>1* VGA</li><li>1* HDMI</li><li>1* DP</li><li>2* RJ45 Ethernet</li><li>4* USB 3.1 (Gen. 1)</li><li>Line-in, Line-out, MIC</li><li>2* COM (COM 1/2 support RS232/422/485)</li></ul>
<b>Internal Connector</b>	<ul style="list-style-type: none"><li>2* USB 2.0</li><li>1* PS/2</li><li>1* LVDS / Inverter</li><li>4* COM</li><li>3* SATAIII</li><li>1* M.2 E-key 2230 (PCIex1/USB2.0) support CNVi</li><li>1* M.2 M-key 2242/2280 (SATA/PCIex4) support NVMe</li><li>1* GPIO (8 bit)</li><li>1* Chassis intrusion</li><li>1* Audio Header</li><li>1* SMBUS</li><li>1* AT mode</li><li>Support onboard TPM2.0 (option)</li></ul>	<b>Watchdog Timer</b>	<ul style="list-style-type: none"><li>From Super I/O to drag RESETCON#</li><li>256 segments (10sec ~ 255min)</li></ul>
<b>Power</b>	ATX PWR (4+24 pin), AT/ATX Supported - AT: Directly PWR on as Power input ready - ATX: Press Button to PWR on after Power input ready	<b>Compliance</b>	CE, FCC, LVD, RoHS, REACH
<b>Temperature</b>	<ul style="list-style-type: none"><li>Operating: 0°C ~ 60°C</li><li>Storage: -20°C ~ 85°C</li><li>Humidity: 10% ~ 90% RH @40°C (non-condensing)</li></ul>	<b>OS Support</b>	Windows 10
<b>Warranty</b>	2 Years Limited Warranty		

\* Specifications subject to change without notice, not responsible for typographical errors. Does not include HDD or OS.

## Accessories

Parts Number	Description	Parts Number	Description
-----	JNF796M-H310 M/B	G01-COM-H2M20-1F	COM cable
F04-MB-073-F	JNF796 I/O shield	G01-SATA3-BL-1F	SATAIII cable