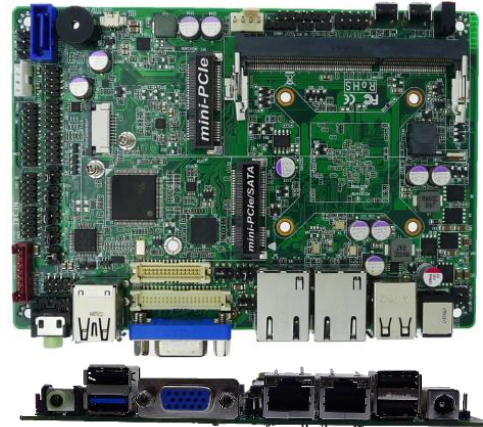


JNF3AE Series

Intel® Bay Trail Series SoC Processor, DDR3L up to 8GB, support VGA/LVDS/eDP display

Features

1. Intel® Bay Trail Series Soc Processor (Default is J1900/N2930)
2. Support 1*DDR3L 1333MHz SO-DIMM, up to 8GB
3. Support 1*Serial ATAPI (3Gb/s) Device
4. Integrated Realtek ALC888S HD Audio CODEC with OP Amplifier
5. 1* 24-bits Dual Channel LVDS header and 1* 4-lane eDP header
6. Support VGA output
7. Support 2* Realtek RT8111G GbE+
8. Support CPU Smart FAN
9. Support Watch Dog Timer 0~255sec



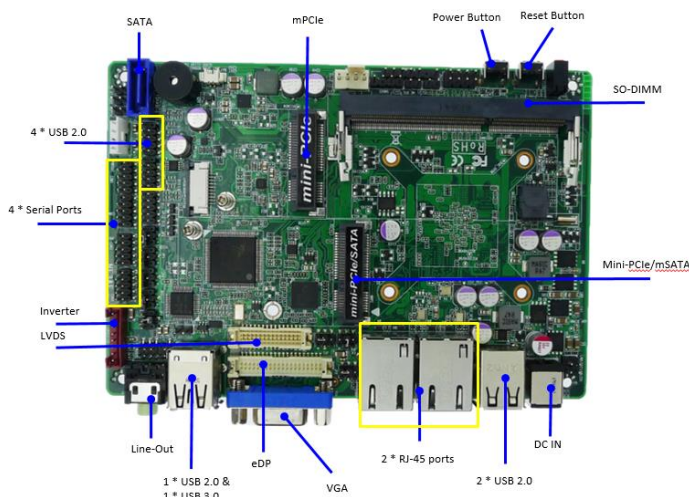
Overview

The JETWAY NF3AE Series is 3.5" form factor board adopts the Intel® Bay Trail SoC Processor. The board supports one SO-DIMM DDR3L 1333Mhz memory, up to 8GB. Featuring the integrated Intel® Gigabit Ethernet controller, the NF3AE Series offers two 10/100/1000Base-TX Ethernet device for network transmission. One SATAII (3Gb/s) interface and one mSATA (shared with full size mini-PCIe) offer storage devices. One USB3.0 port, Seven USB2.0 ports and four COM ports (three support RS232 and one support RS232/422/485) provide versatile expansion. The full size mini-PCIe and half size mini-PCIe provide versatile expansion. The NF3AE Series offers one VGA port, one eDP port and one LVDS. Because of the above features, NF3AE Series is suitable for Panel PC, IOT Solution applications.

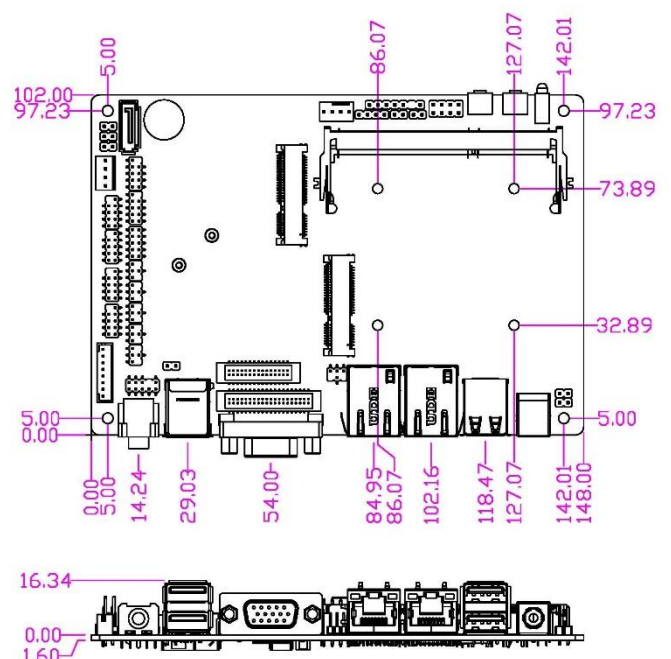
Application

Panel PC / IOT Solution

I/O Diagram



Mechanical Drawings (Unit=mm)



Specifications

Model	JNF3AE (default is J1900/N2930)	Form Factor	3.5" SBC (148 * 102mm)
Processor System	<ul style="list-style-type: none">Intel® Bay Trail Series SoC ProcessorAMI 64Mb Flash ROM BIOS	Memory	1* DDR3L 1333MHz Single/Dual Channel SO-DIMM up to 8GB
Storage	<ul style="list-style-type: none">1* SATAII (3 Gb/s)1* mSATA (shared with full size mini-PCIe)	Expansion	<ul style="list-style-type: none">1* Full size mini-PCIe (shared with mSATA)1* Half size mini-PCIe
Ethernet	2* Realtek RTL8111G GbE	Graphics	<ul style="list-style-type: none">Intel® HD Graphics, shared memory1* VGA (Max Resolution: 1920x1080@60Hz)1* 24-bits Dual channel LVDS (Selectable with eDP, not working while using LVDS, Max Resolution: 1920x1200@60Hz)1* eDP (Selectable with LVDS, not working while using eDP, Max Resolution: 2560x1600@60Hz)Support Dual Displays
Audio	HD audio: Realtek ALC888S	Watchdog Timer	<ul style="list-style-type: none">From Super I/O to drag RESETCON#256 segments (10sec ~ 255min)
Internal I/O	<ul style="list-style-type: none">4* USB2.01* SATAII1* LVDS (Selectable with eDP, not working while using LVDS)1* eDP (Selectable with LVDS, not working while using eDP)4* COM (one support RS232/422/485 with 5V/12V selectable header)1* PS/21* Chassis intrusion1* Audio Header1* SMBUS1* GPIO1* AT mode	External I/O	Rear: <ul style="list-style-type: none">1* VGA1* USB3.03* USB2.02* RJ451* Audio jack9V~12V DC-in
Power	9V~12V DC-in PWR - AT: Directly PWR on as Power input ready - ATX: Press Button to PWR on after Power input ready	Compliance	CE, FCC, RoHS, REACH
Temperature	<ul style="list-style-type: none">Operating Temperature: -20 ~60° CStorage Temperature: -40 ~ 70° CHumidity: 10% ~ 90% RH @40°C (non-condensing)	OS Support	
Warranty	2 Years limited warranty		

* Specifications subject to change without notice, not responsible for typographical errors. Does not include HDD or OS.

Standard Accessories

Part Number	Description
	JNF3AE M/B
G01-SATA-BK-B-2F	1* SATA cable
G01-PW4PS-2S-323F	1* SATA Power Y cable
G01-COM-H2M22-1F	2* COM cable
HCS365MHT01B-F	1* Fin type Heatsink