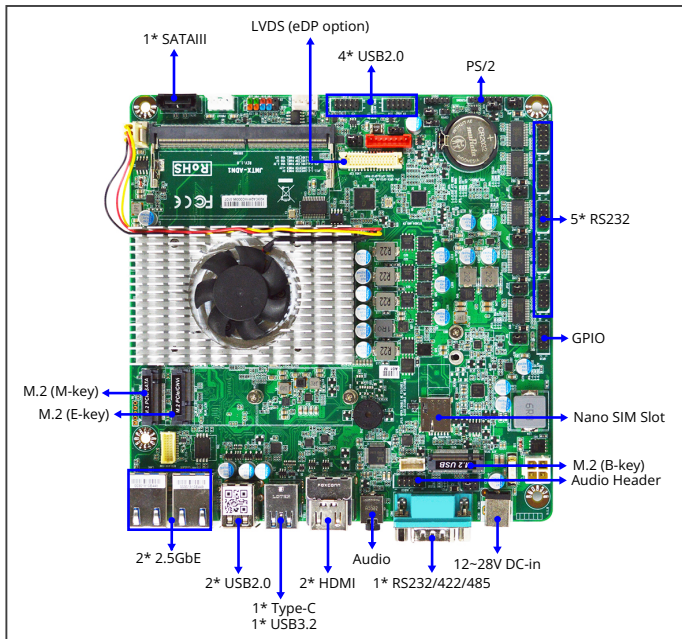


Mini-ITX with Intel® Processor N-series Processors (formerly Alder Lake-N)



Features

- 1 x DDR5 SODIMM Slot, up to 32GB
- 2 x HDMI 2.0b, 1 x Type-C DP, 1 x LVDS/eDP
- 2 x 2.5GbE
- 1 x USB 3.2 Gen2, 1 x USB3.2 Gen2 Type-C, 6 x USB2.0
- 1 x RS232/422/485, 5 x RS232
- 1 x SATAIII, 1 x M.2 2242/2280 M-key, 1 x M.2 2230 E-key, 1 x M.2 3042/3052 B-key
- DC Input 12~28V
- Support RVP, OCP, and OVP design

Applications

- Industrial Automation / POS / KIOSK

Packing List

Part Number	Description	QTY per Board
	1 x JMTX-ADN1 MB	
F04-MB-101-F	I/O Shield	1
F07-FNJMI24-F	Heatsink with Fan, 87 x 54 x 16mm	1
G01-COM-H2M22-1F	COM Port Cable, 22cm, Pitch 2.0	1
G01-SATA3-BL-1F	SATA Cable, 50cm	1
G01-PW4PS2S-322-1F	SATA Power Y cable, 5.0pitch for 32cm, 2.54pitch for 20cm	1

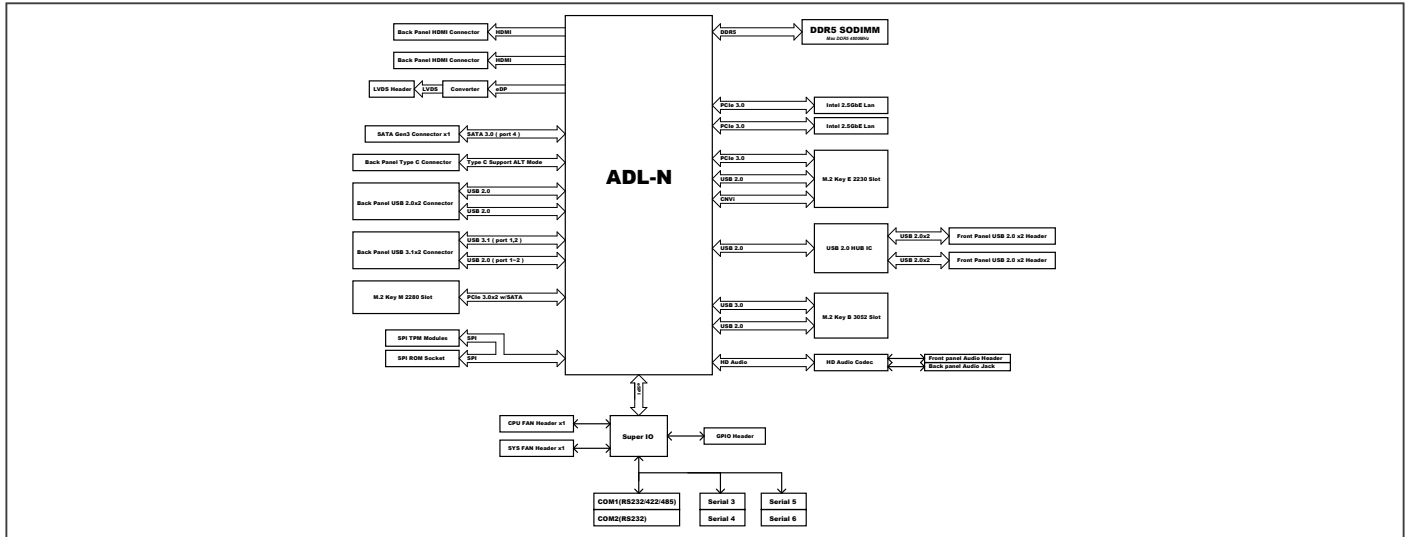
Optional Accessories

Part Number	Description	QTY per Board
F05-JNF9T-3F	Heatsink, 87 x 54 x 29mm	1

Specifications

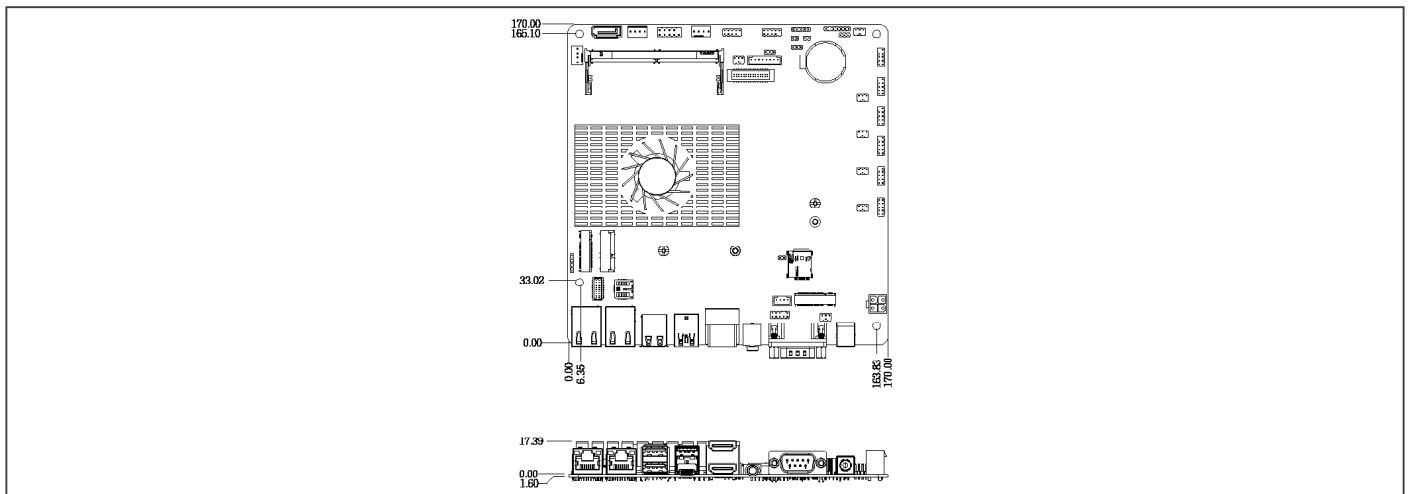
SYSTEM	
FORM FACTOR	Mini-ITX
CPU	Onboard Intel® Processor N-series Processors (formerly Alder Lake-N) Intel® Processor N97 *For additional compatible CPUs, please contact regional sales
CPU TDP	12W
CHIPSET	Integrated with Intel® SoC
MEMORY TYPE	1 x DDR5 4800MHz, Single Channel SODIMM, up to 32GB
BIOS	UEFI
WAKE ON LAN	Yes
WATCHDOG TIMER	255 Levels
SECURITY	TPM2.0 (optional)
RTC Battery	Lithium Battery 3V/200mAh
DIMENSION (L X W)	170mm x 170mm (6.7" x 6.7")
OS SUPPORT	Windows® 10 (64bit), Windows® 11 (64bit) Linux
POWER	
POWER REQUIREMENT	DC 12~28V
POWER SUPPLY TYPE	AT/ATX Mode
CONNECTOR	DC Jack Connector 4pin Header
DISPLAY	
CONTROLLER	Intel® UHD Graphics
LVDS/eDP/MIPI-DSI	1 x 24 Bit Dual Channel LVDS, up to 1920 x 1080 @60Hz, co-lay eDP
DISPLAY INTERFACE	2 x HDMI 2.0b, up to 4K x 2K @60Hz 1 x Type-C DP1.4, up to 4K x 2K @60Hz
MULTIPLE DISPLAY	Support 3 Displays
AUDIO	
CODEC	Realtek ALC897 with 3W Amp.
AUDIO INTERFACE	Combo Line-out/MIC
Speaker	1 x Speaker Connector
EXTERNAL I/O	
ETHERNET	2 x Intel® i226V, 10/100/1000/2500 Base-T
USB	1 x USB3.2 Gen 2 1 x USB3.2 Gen 2 Type-C support DP ALT mode 2 x USB2.0
SERIAL PORT	1 x RS232/422/485 with 5V/12V selectable
VIDEO	2 x HDMI 2.0b 1 x DP1.4 (via USB Type-C)
INTERNAL I/O	
USB	4 x USB2.0
SERIAL PORT	5 x RS232 (5V/12V selectable)
VIDEO	1 x 24 Bit Dual Channel LVDS, up to 1920 x 1080 @60Hz, co-lay eDP
AUDIO	1 x Speaker Connector
GPIO	8-Bit
SMBUS	Yes
I2C	—
FAN	1 x CPU Fan, 1 x System Fan
SIM	1 x Nano SIM Card
FRONT PANEL	HDD LED PWR LED Power Button Reset
OTHERS	1 x PS/2
STORAGE	
SATA	1 x SATA3 1 x SATA Power Connector
MINI PCI-E/MSATA	—
M.2	1 x M-Key 2242/2280 (SATA/PCIe 3.0 x2) support NVMe
eMMC	eMMC 64GB (optional)
EXPANSION	
M.2	1 x E-key 2230 (USB2.0/PCIe 3.0 x1) support CNVi 1 x B-key 3042/3052 (USB3.2 Gen 1/USB2.0) for 4G/5G module
OTHERS	—
ENVIRONMENT & CERTIFICATION	
OPERATING TEMPERATURE	0°C ~ 60°C (32°F ~ 140°F)
STORAGE TEMPERATURE	-20°C ~ 85°C (-4°F ~ 185°F)
OPERATING HUMIDITY	10% ~ 90% relative humidity, non-condensing
CERTIFICATION	Meet CE/FCC Class A

Block Diagram



Dimension

Unit: mm



Ordering Information

PART NUMBER	JMTX-ADN1-N97000	JMTX-ADN1-N97002	JMTX-ADN1-N97004	JMTX-ADN1-N97008
CPU	Intel® Processor N97	Intel® Processor N97	Intel® Processor N97	Intel® Processor N97
DISPLAY	2 x HDMI 1 x Type-C DP 1 x LVDS, co-lay eDP	2 x HDMI 1 x Type-C DP 1 x LVDS, co-lay eDP	2 x HDMI 1 x Type-C DP 1 x LVDS, co-lay eDP	2 x HDMI 1 x Type-C DP 1 x LVDS, co-lay eDP
LAN	2 x 2.5GbE	2 x 2.5GbE	2 x 2.5GbE	2 x 2.5GbE
USB	1 x USB 3.2 Gen2 1 x USB3.2 Gen2 Type-C 6 x USB2.0	1 x USB 3.2 Gen2 1 x USB3.2 Gen2 Type-C 6 x USB2.0	1 x USB 3.2 Gen2 1 x USB3.2 Gen2 Type-C 6 x USB2.0	1 x USB 3.2 Gen2 1 x USB3.2 Gen2 Type-C 6 x USB2.0
RS-232	5	5	5	5
RS-232/422/485	1	1	1	1
STORAGE	1 x SATAIII 1 x M.2 M-key 2242/2280	1 x SATAIII 1 x M.2 M-key 2242/2280	1 x SATAIII 1 x M.2 M-key 2242/2280	1 x SATAIII 1 x M.2 M-key 2242/2280
EXPANSION SLOT	1 x M.2 E-key 2230 1 x M.2 B-key 3042/3052	1 x M.2 E-key 2230 1 x M.2 B-key 3042/3052	1 x M.2 E-key 2230 1 x M.2 B-key 3042/3052	1 x M.2 E-key 2230 1 x M.2 B-key 3042/3052
TPM	—	TPM2.0	—	TPM2.0
eMMC	—	—	64GB	64GB
POWER	12-28V	12-28V	12-28V	12-28V
OPERATING TEMP	0°C ~ 60°C	0°C ~ 60°C	0°C ~ 60°C	0°C ~ 60°C