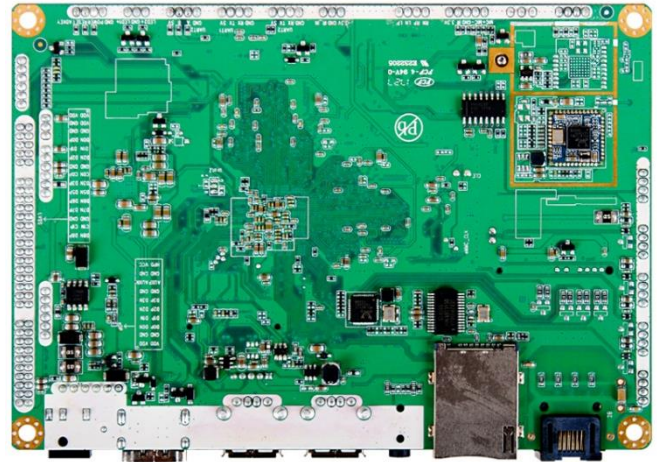
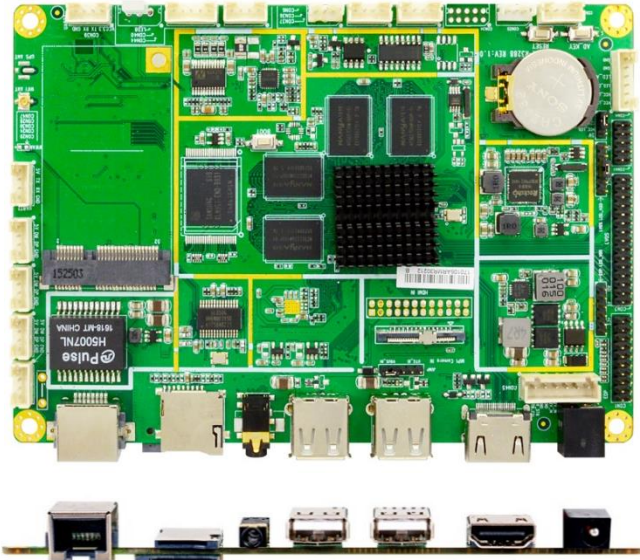


## JARMR3288W Series

Rockchip® ARM Cortex A17 RK3288W, 1 \* Mini PCIe,  
HDMI/eDP/LVDS/MIPI, Bluetooth, WIFI, Android 5.1, Linux Debian 9.0



Rockchip



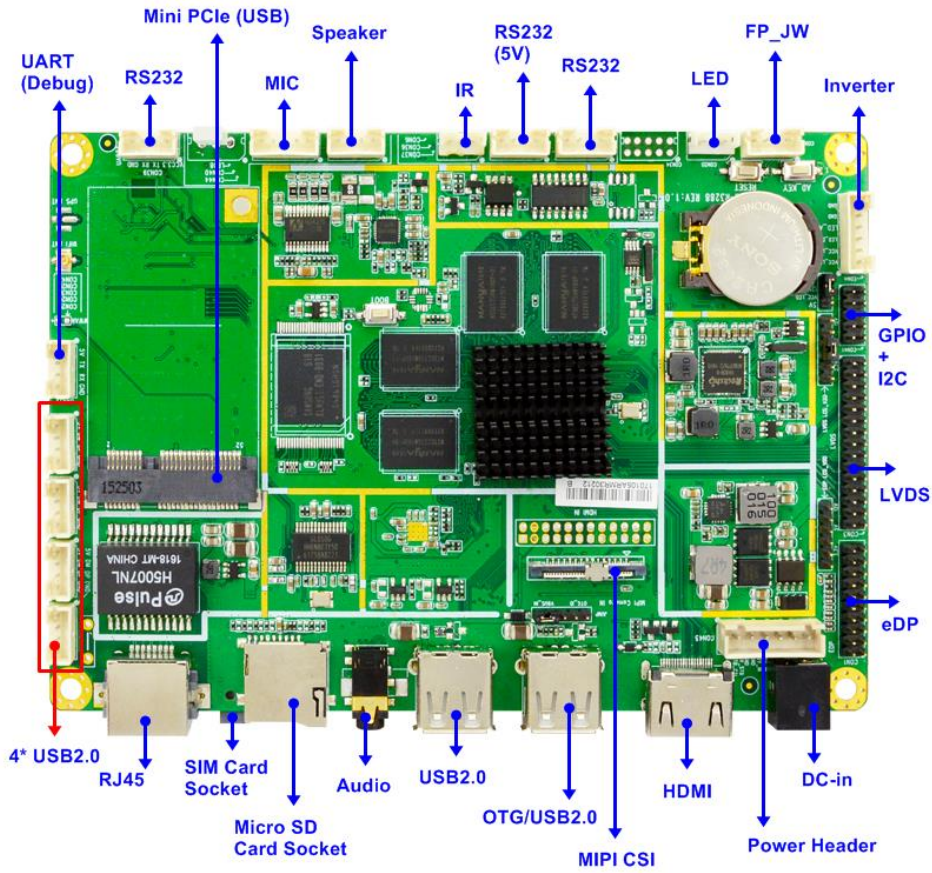
CE FC

### Features

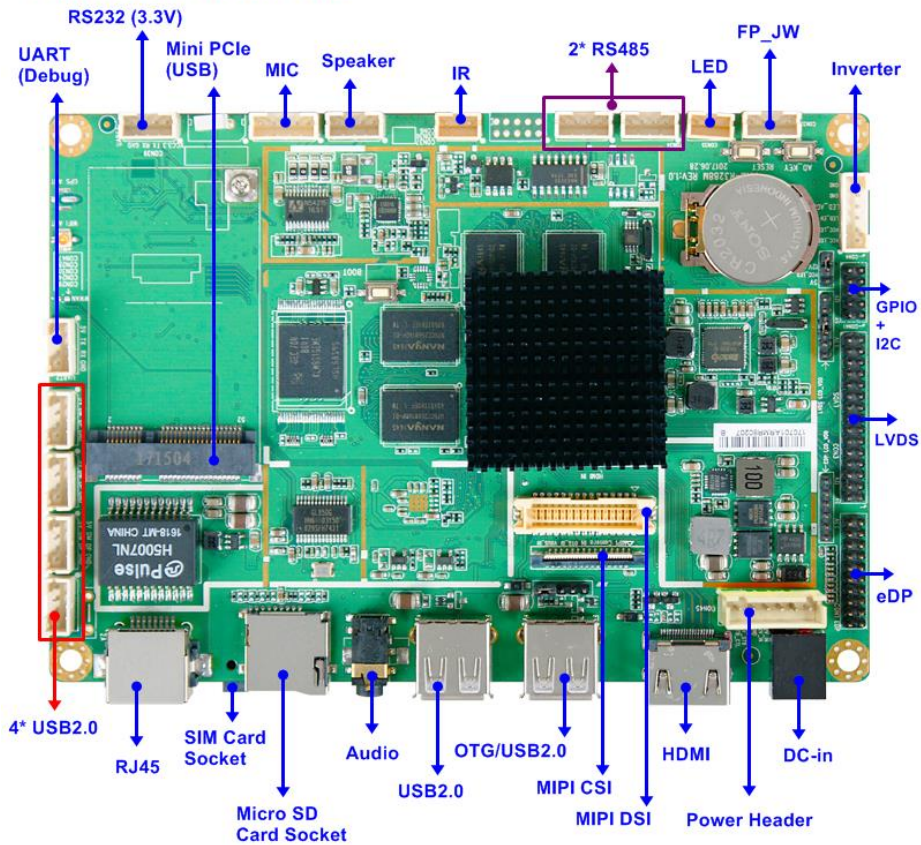
1. Rockchip® ARM Cortex A17 RK3288W Quad-core 1.8GHz
2. DRAM : 2GB DDR3L 1333MHz on-board
3. Flash ROM : 8GB (Max. 64GB)
4. 1 \* RJ45, 5 \* USB2.0, 1\* OTG (Option USB2.0), 4 \* COM, 1 \* GPIO, 1 \* MIPI CSI, 1 \* Micro SD Card socket, 1 \* SIM Card holder
5. 1 \* HDMI (1920 x 1080@60Hz)
6. 1 \* 24 bits Dual CH LVDS (1920 x 1200@60Hz)
7. 1 \* eDP (2560 x 1200@60Hz)
8. 1 \* MIPI DSI (1920 x 1080@60Hz, JARMR3288WM-2N only)
9. Support Android 5.1, Linux Debian 9.0
10. 3.5" Form Factor (148mm \* 102mm)
11. For IOT & Equipment : Smart Meters, Residential Access Control, Agricultural Automation Equipment, Lottery machine, vending machine, coffee machine...etc.

# Internal Diagram

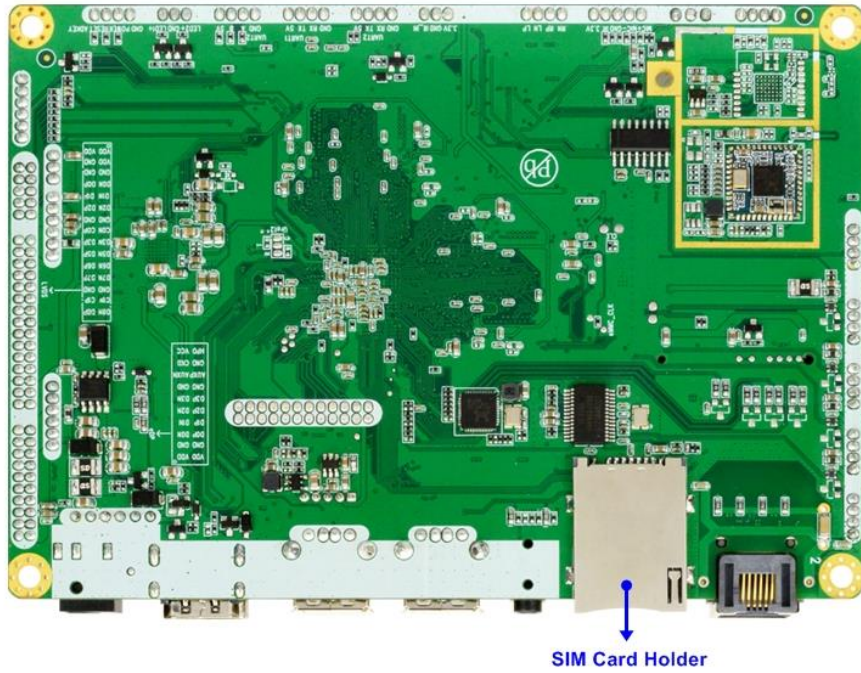
## JARMR3288W-2N



## JARMR3288WM-2N







## Specifications

Model / Part Number		
Model	- JARMR3288W-2N	- JARMR3288WM-2N
Part Number	- JARMR3288W-2N	- JARMR3288WM-2N
Form Factor		
Dimensions	- 3.5" SBC (148 * 102mm, 5.83" * 4.01")	
Processor System		
Processor/CPU	- Rockchip® ARM Cortex A17 RK3288W Quad-core 1.8GHz SoC Processor	
GPU	- Mali-T764 GPU, support AFBC	
Memory		
DRAM	- 2GB DDR3L 1333MHz on-board	
FLASH ROM	- 8GB (Max. 64GB)	
Ethernet		
Ethernet	- 1* Realtek RTL8211E-VB /10/100/1000Mbps	
Wifi	- RTL8723BS chip_802.11 b/g/n, 2.4G & BT 4.0	
3G / 4G / LTE	- SIM Card holder	
Graphics		
HDMI	- 1* HDMI (1920 x 1080@60Hz)	
LVDS	- 1* 24 bits Dual CH LVDS (1920 x 1200@60Hz)	
eDP	- 1* eDP (2560 x 1600@60Hz)	
MIPI	- N/A	- 1* MIPI (1920 x 1080 @60Hz)
Multi Display	- Dual display	
Expansion Slot		

Mini PCIe	- 1 (USB interface)														
Micro SD Socket	- 1 (Micro SD Socket, Max 64G)														
SIM Card Holder	- 1														
<b>Special Features</b>															
IR Support	- N/A														
OS Support	- Android 5.1, Linux Debian 9.0														
Watchdog Timer	- 0~255 Sec./Min. programmable														
Application	- IOT & Equipment : Smart Meters, Residential Access Control, Agricultural Automation Equipment, Lottery machine, vending machine, coffee machine...etc.														
<b>I/O Port</b>															
External I/O	<table border="0"> <tr> <td>- 1* HDMI</td> <td>- 1* HDMI</td> </tr> <tr> <td>- 1* RJ45</td> <td>- 1* RJ45</td> </tr> <tr> <td>- 1* Audio</td> <td>- 1* Audio</td> </tr> <tr> <td>- 2* USB2.0 (USB2 Support OTG)</td> <td>- 2* USB2.0 (USB2 Support OTG)</td> </tr> <tr> <td>- 1* DC-in</td> <td>- 1* DC-in</td> </tr> </table>	- 1* HDMI	- 1* HDMI	- 1* RJ45	- 1* RJ45	- 1* Audio	- 1* Audio	- 2* USB2.0 (USB2 Support OTG)	- 2* USB2.0 (USB2 Support OTG)	- 1* DC-in	- 1* DC-in				
- 1* HDMI	- 1* HDMI														
- 1* RJ45	- 1* RJ45														
- 1* Audio	- 1* Audio														
- 2* USB2.0 (USB2 Support OTG)	- 2* USB2.0 (USB2 Support OTG)														
- 1* DC-in	- 1* DC-in														
Internal I/O	<table border="0"> <tr> <td>- 1* eDP</td> <td>- 1* eDP</td> </tr> <tr> <td>- 1* LVDS</td> <td>- 1* LVDS</td> </tr> <tr> <td>- 1* MIPI CSI (For camera)</td> <td>- 1* MIPI DSI</td> </tr> <tr> <td>- 4* USB2.0</td> <td>- 1* MIPI CSI (For camera)</td> </tr> <tr> <td>- 4* COM (3* RS232 + 1* UART (for Debug))</td> <td>- 4* USB2.0</td> </tr> <tr> <td>- 1* GPIO</td> <td>- 4* COM (2* RS485 + 1* RS232 + 1* UART (for Debug))</td> </tr> <tr> <td></td> <td>- 1* GPIO</td> </tr> </table>	- 1* eDP	- 1* eDP	- 1* LVDS	- 1* LVDS	- 1* MIPI CSI (For camera)	- 1* MIPI DSI	- 4* USB2.0	- 1* MIPI CSI (For camera)	- 4* COM (3* RS232 + 1* UART (for Debug))	- 4* USB2.0	- 1* GPIO	- 4* COM (2* RS485 + 1* RS232 + 1* UART (for Debug))		- 1* GPIO
- 1* eDP	- 1* eDP														
- 1* LVDS	- 1* LVDS														
- 1* MIPI CSI (For camera)	- 1* MIPI DSI														
- 4* USB2.0	- 1* MIPI CSI (For camera)														
- 4* COM (3* RS232 + 1* UART (for Debug))	- 4* USB2.0														
- 1* GPIO	- 4* COM (2* RS485 + 1* RS232 + 1* UART (for Debug))														
	- 1* GPIO														
<b>Power Requirements</b>															
Input PWR	12V DC-in - AT : Directly PWR on as Power input ready - ATX : Press Button to PWR on after Power input ready														
<b>Certifications</b>															
Certifications	- RoHS, CE, FCC, CE-LVD														
<b>Environment</b>															
Temperature	- Operating: -10°C ~ 60°C with 0.7 m/s air flow - Storage: -20°C ~ 70°C														
<b>Warranty</b>															
Warranty	- 2 Years Limited Warranty														

\*Specifications subject to change without notice, not responsible for typographical errors. Does not include HDD or OS.

## Accessories

Part Number	Description
	JARMR3288W-2N / JARMR3288WM-2N