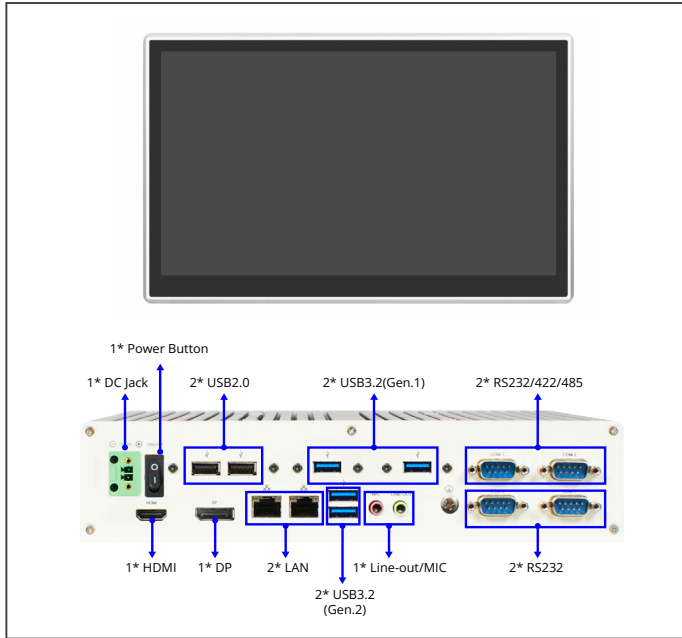


# HPC238SC-FPH610L



Industrial Panel PC Solution

23.8" TFT Fanless Touch Panel Computer with Intel® Alder Lake-S H610 Chip, Support LGA1700 35W Processor



## Features

- 23.8" 300 nits brightness TFT LCD with LED backlight
- 10-points Multi Capacitive Touch
- Design for easy Wall mount, Panel Mount, VESA Mount installation
- A true Flat, easy-to-clean front surface with edge-to-edge design
- Watchdog Timer 256 levels, 0~255 sec.
- Support TPM2.0 (option)
- 12~19V DC-input Support, with EOS, OVP design

## Packing List

Part Number	Description	QTY
	HPC238SC-FPH610L	1
J05-ANT-GX57245-F	Antenna 2.4G/5G xDBi	2
L01AS056-F	Adapter 19V/6.32A 120W FSP	1
Change according to shipping area	POWER-CORD (region specific)	1
LCSC406M40B-F	VESA Screws	4

## Optional Accessories

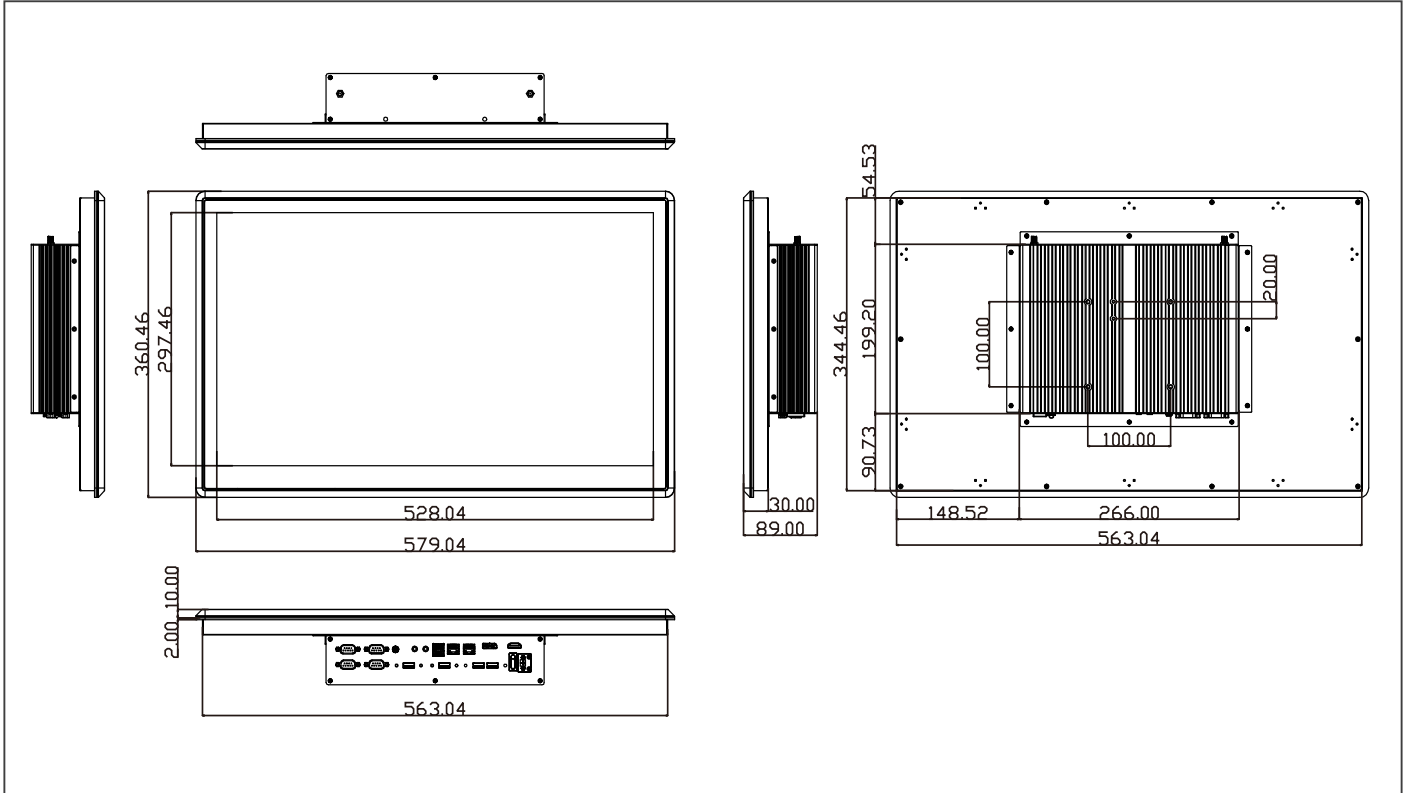
Part Number	Description	QTY
HPC-HBD	Mounting Clips	10

## Specifications

SYSTEM	
PROCESSOR	Intel® LGA1700 Socket, 12/13/14th gen processors (Max 35W)
SYSTEM MEMORY	2 x DDR4 3200MHz Dual Channel SO-DIMM up to 64GB
ETHERNET	2 x Realtek® RTL8111H 10/100/1000Mbps GbE
STORAGE DEVICE	1 x 2.5" SATA 6Gb/s internal drive bay (only support 2.5" HDD with a height ≤ 10mm) 1 x M.2 M Key (2242/2280, PCI-Ex4 Gen.3)
I/O	2 x USB3.2 (Gen.1) 2 x USB3.2 (Gen.2) 2 x USB2.0 2 x RS232/422/485 2 x RS232 1 x HDMI2.0 (Max Resolution: 4096x2160@60Hz) 1 x DP1.4 (Max Resolution: 7680x4320@60Hz) 1 x Line-out 1 x MIC-in 2 x GbE 1 x Phoenix Terminal Block 12~19V DC input 1 x Power Button
EXPANSION	1 x M.2 E key (2230, CNVi/PCI-Ex1/USB2.0) for WIFI/BT Module
CELLULAR (5G)	—
OS SUPPORT	Windows 10 (64bit), Windows 11 (enable PTT in BIOS or select model with onboard TPM2.0) Linux
MECHANICAL	
CONSTRUCTION	Aluminum Front Bezel + Metal Chassis
MOUNTING	VESA 100mm
DIMENSIONS (W x H x D)	579.04 x 360.46 x 89.00mm (17.37" x 10.81" x 2.67")
CARTON DIMENSION	665 x 175 x 519mm (19.95" x 5.25" x 15.57")
GROSS WEIGHT	—
ENVIRONMENT & CERTIFICATION	
OPERATING TEMPERATURE	-10°C ~ 50°C (14°F ~ 122°F) with 0.5 m/s airflow
STORAGE TEMPERATURE	-20°C ~ 70°C (-4°F ~ 158°F)
STORAGE HUMIDITY	90% @40°C (non-condensing)
VIBRATION	1 Grms/ 5~ 500Hz/ operation
SHOCK	—
CERTIFICATION	Meet CE/FCC Class A
POWER SUPPLY	
INPUT	DC 12~19V
LCD	
DISPLAY TYPE	23.8" TFT-LCD, LED
MAX. RESOLUTION	1920 x 1080
MAX. COLORS	16.7M colors (8bit for R,G,B)
LUMINANCE	300 cd/m2
VIEWING ANGLE	178° (H), 178° (V)
BACK LIGHT	LED
TOUCH SCREEN	
TYPE	P-CAP Touchscreen
LIGHT TRANSMISSION	85%

## Dimension

Unit: mm



## Ordering Information

Part Number	HPC238SC-FPH610L	HPC238SC-FPH610L2	HPC238SCW-FPH610L
MAX. RESOLUTION	1920 x 1080	1920 x 1080	1920 x 1080
LUMINANCE	300 cd/m2	300 cd/m2	300 cd/m2
VIEWING ANGLE	178°(H)/178°(V)	178°(H)/178°(V)	178°(H)/178°(V)
CPU	Intel® LGA1700	Intel® LGA1700	Intel® LGA1700
LAN	2	2	2
USB3.2	4	4	4
USB2.0	2	2	2
RS232	2	2	2
RS232/422/485	2	2	2
STORAGE	1 x 2.5" SATA 1 x M.2 M (2242/2280)	1 x 2.5" SATA 1 x M.2 M (2242/2280)	1 x 2.5" SATA 1 x M.2 M (2242/2280)
RAM	64GB DDR4 RAM Included	64GB DDR4 RAM Included	64GB DDR4 RAM Included
DISPLAY	1 x HDMI2.0 1 x DP1.4	1 x HDMI2.0 1 x DP1.4	1 x HDMI2.0 1 x DP1.4
EXPANSION	1 x M.2 E (2230)	1 x M.2 E (2230)	1 x M.2 E (2230)
MOUNTING	Stand, VESA 100	Stand, VESA 100	Stand, VESA 100
POWER	DC 12-19V	DC 12-19V	DC 12-19V
TEMPERATURE	-10°C ~ 50°C (14°F ~ 122°F) (w/ airflow)	-10°C ~ 50°C (14°F ~ 122°F) (w/ airflow)	-10°C ~ 50°C (14°F ~ 122°F) (w/ airflow)
TOUCH	PCAP	PCAP	PCAP
TPM	—	2.0	—
WiFi	—	—	yes
EMMC	—	—	—