

HPC170GR-HD1900B

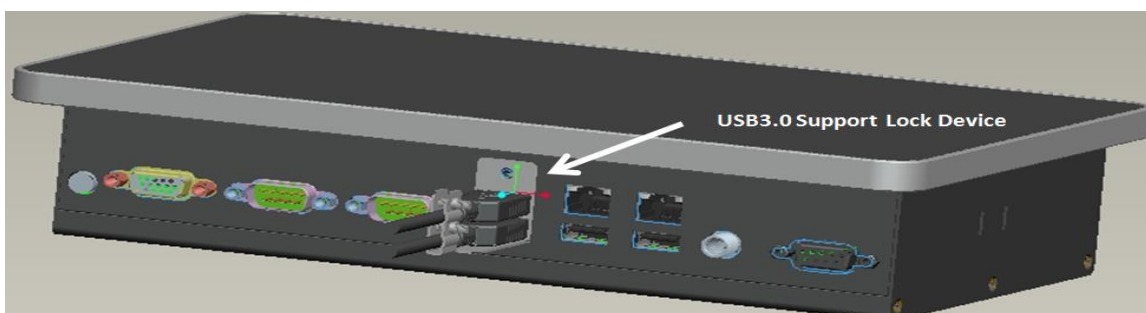
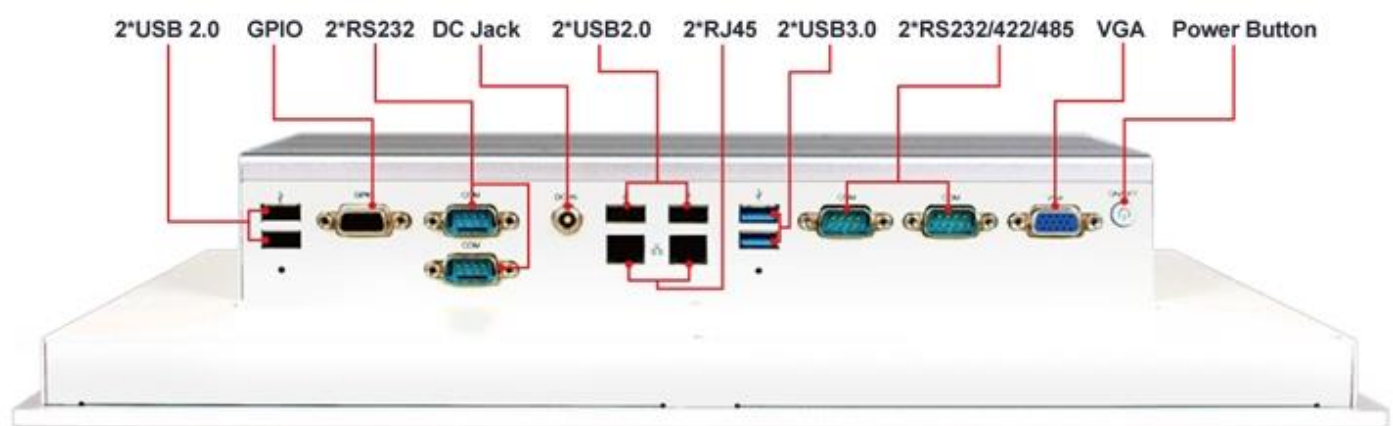
17.0" TFT FanLess Touch Panel Computer with Intel® BayTrail-D J1900 2.0GHz Quad Cores Processor



1. 17.0" 350 nits high brightness TFT LCD with LED backlight
2. 5 Wire Resistive Touch/Anti-Reflection Protection Glass
3. Cable less, Streamlined enclosure for highly efficient heat dissipation Enclosed in robust aluminum casings
4. Strong solid aluminum frame design and Fanless cooling system
5. Support Open frameless design
6. Design for easy Wall mount, Panel Mount, VESA Mount installation
7. A true Flat, easy-to-clean front surface with edge-to-edge design
8. USB3.0 Support Lock Device
9. Front IP65 for protection against water and dust
10. 9-28V DC-input Support, with EOS, OVP design
11. Support TPM2.0 (HPC170GR-HD19BT2 only)
12. VESA Support 100x100mm



External I/O



Specifications

Display

Front Bezel	- IP65, NEMA 4 rugged protection, metal front bezel
Display Type	- 17.0" With LED Backlight
Brightness (cd/m ²)	- 350 nits
Display Color	- 16.7M
Resolution	- 1280 x 1024 @ 60Hz
Viewing Angle (H/V)	- 170°/160°
Pixel Pitch	- 0.264 x 0.264 mm
Aspect Ratio	- 4:3
Contrast Ratio	- 1000:1
Response Time	- 3.5 ms

Touch screen

Type	- 5 wires analog resistive type
Active Range	- 337.00 x 269.50mm ±0.2mm
Operating Force	- ≤ 80g
Transparency	- 80 ±3%
Surface Hardness	- ≥ 3H (ASTM D3363, pressure 750g/45°)
Knock test	- 10,000,000 times keystrokes

CASE

Panel Material	Aluminum
Case Material	Iron
Color	Silver + White
Coating Requirement	Spray Paint

Main System

CPU	- Intel® Bay Trail-D J1900 2.0GHz/QC
RAM	- 4G 1333MHz DDR3L SAMSUNG DRAM
BIOS	- 64MB SPI Flash ROM
Storage	- 1* 2.5" SATA bay - 1* M.2 (M-key, 2242/2260/2280) slot
Watchdog Timer	- 256 levels, 0~255 sec.
OS Support	- Windows 7 / 8.1 / 10 / Linux (option)

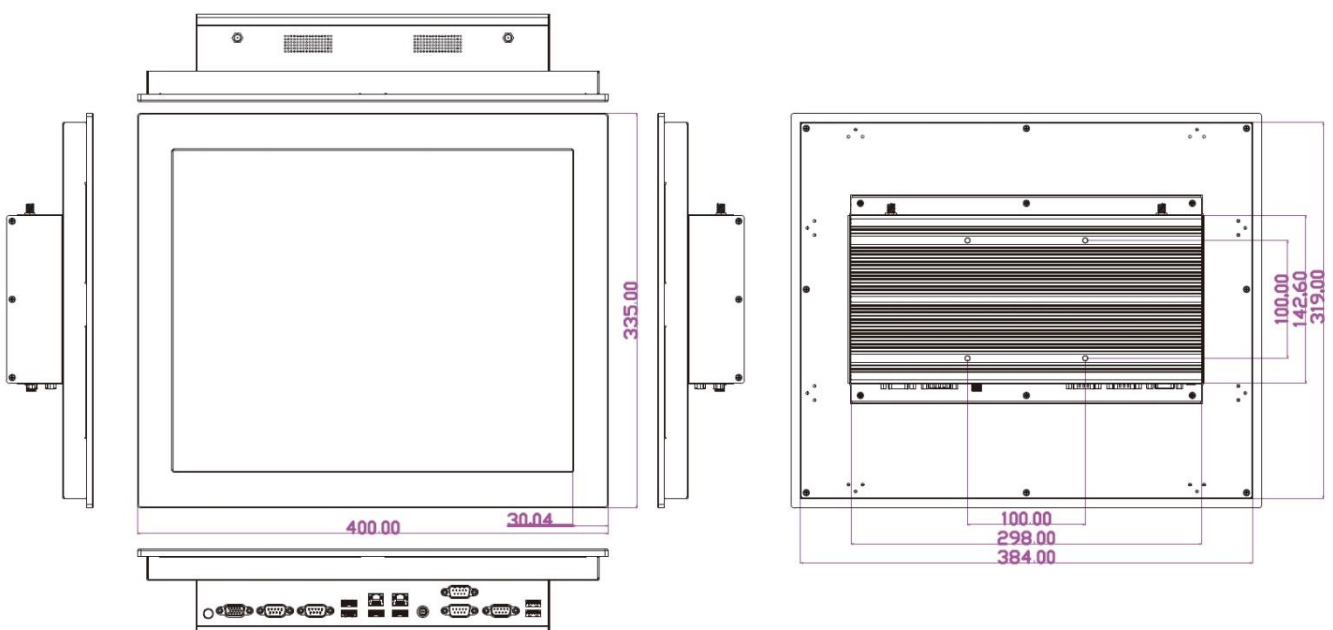
I/O Connector

I/O Ports and Switches	- 2* USB3.0 + 4* USB2.0 - 2* RS232/422/485 + 2* RS232 - 1* VGA - 1* 8bit GPIO
------------------------	--

	<ul style="list-style-type: none"> - 2* LAN (Intel® i211AT GbE) - 1* Locking Jack 9~28V DC input - 1* Power button
Expansion Interface	
Expansion	- 1 * Mini PCIe slot for WIFI or 3G/4G
Power	
Power Input	<ul style="list-style-type: none"> - AC version: 100~240V AC-DC 60W power adapter or - DC version: 12V DC with over current protection fuse
Power Consumption	- 37.5W
Dimensions	
Case Dimensions	- 400.0*335.0*74.0mm
Certifications	
Certifications	- CE, FCC, IP65(Front)
Environment	
Temperature	- Operating: -0°C ~ 60°C (with W.T. DRAM/HDD in airflow condition)
	- Operating: -0°C ~ 60°C (with W.T. DRAM/HDD)
	- Storage: -20°C ~ 85°C
Shock	- Operating: 15G , 11ms duration
Vibration	- Operating: 5~500Hz/1 Grms
Warranty	
Warranty	- 2 Years Limited Warranty (Panel is only Warranty 1Year)

*Specifications subject to change without notice, not responsible for typographical errors. Does not include HDD or OS.

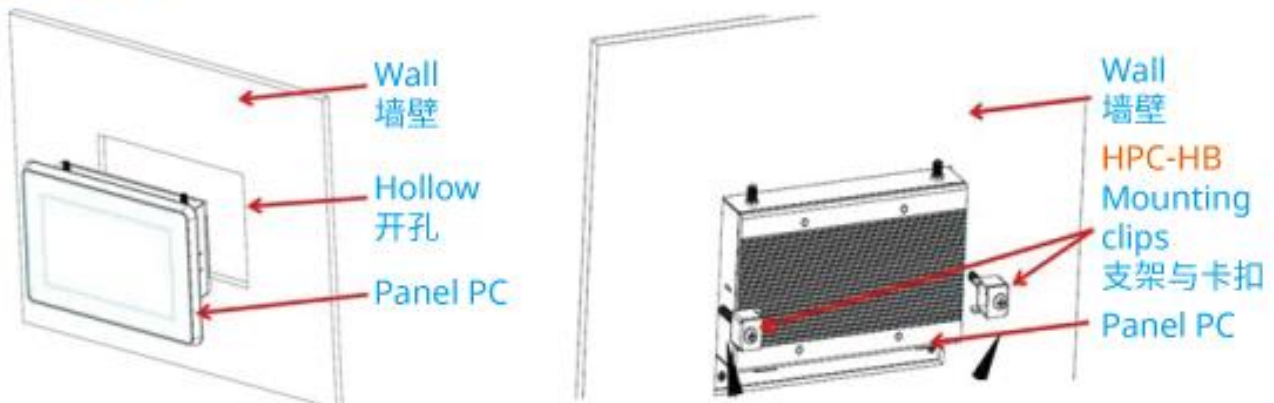
Mechanical Drawings (Unit = mm)



Standard Accessories

Part Number	Description
-----	HPC170GR-HD1900B
	Power cord
	60W AC-DC Adapter
HPC-HBD (option)	8* Mounting Clips

HPC-HB Mounting clips for 7", 8", 10.1" Panle PC



HPC-HBD Mounting clips for 10.4", 15", 15.6", 17", 18.5", 21.5", 23.8" Panle PC

