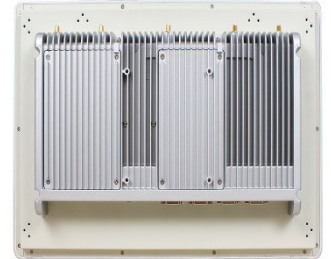


Aluminum Die-Cast Panel PC series, 17.0" TFT Fanless Touch Panel Computer with Intel® Tiger Lake 6305E
1.8GHz Dual Cores Processor

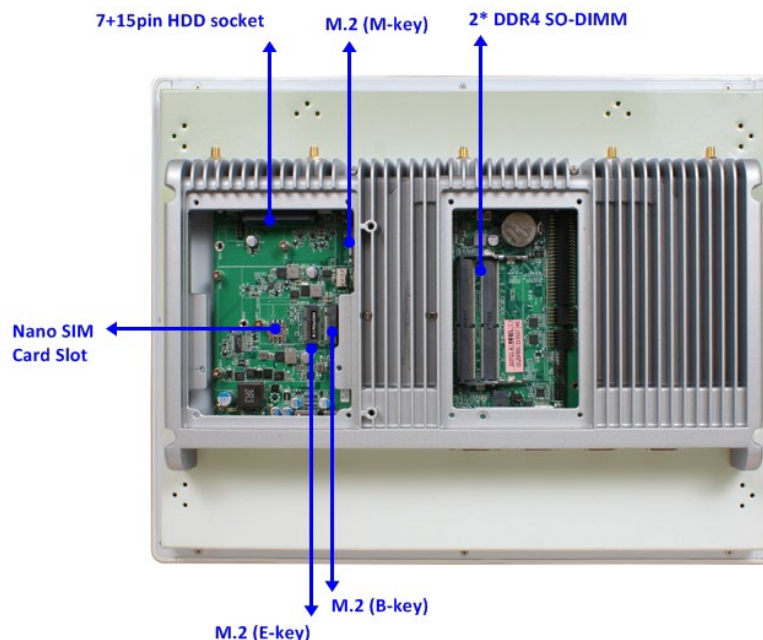
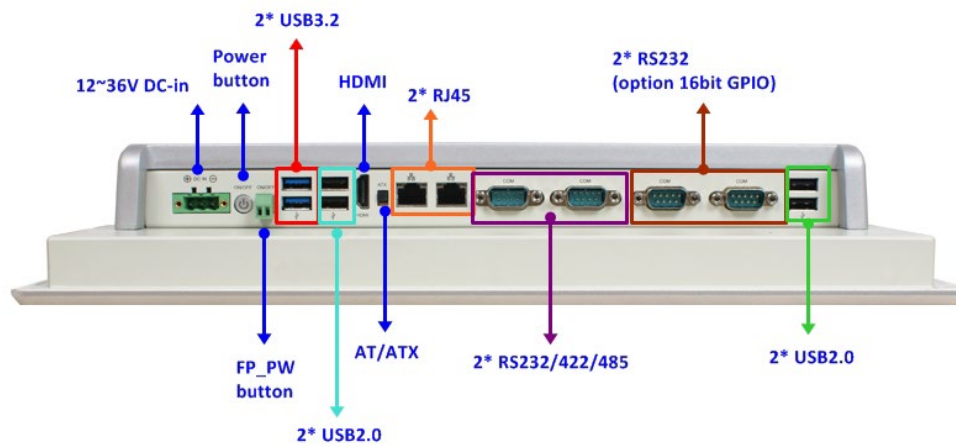
Features

- 17.0" 350 nits TFT LCD with LED backlight
- 10-points Multi Capacitive Touch
- Support Open frameless design
- A true Flat, easy-to-clean front surface with edge-to-edge design
- Front IP65 for protection against water and dust
- Aluminum Die-Cast Panel PC series, support for easy HDD and DARM installation
- Support Cable less design
- 12-36V DC-input Support, with Electrical Over Stress(EOS), OVP design
- VESA Support 100x100mm



intel. FC CE RoHS
COMPLIANT

I/O Diagram



Specifications

Model	<ul style="list-style-type: none"> HPC170C-DCP6305E
Main System	<ul style="list-style-type: none"> Intel® Tiger Lake Celeron 6305E 1.8GHz/DC processor 2* DDR4 SO-DIMM (Max 64GB) 256MB SPI Flash ROM Watchdog Timer 256 levels, 0~255 sec.
Display	<ul style="list-style-type: none"> IP65, NEMA 4 rugged protection, metal front bezel 17.0" With LED Backlight 350 nits 16.7m display color 1280 x 1024 @60Hz resolution 170°/160° viewing angle (H/V) 0.264 x 0.264mm pixel pitch 4:3 aspect ratio 1000:1 contrast ratio 3.5ms response time
Touch Screen	<ul style="list-style-type: none"> Projected capacitive type 372.92 x 305.34mm ±0.3mm active range Transparency ≥85% Surface Hardness ≥6H (JIS-5400)
I/O Connector	<ul style="list-style-type: none"> 2* USB3.2 (Gen1) 4* USB2.0 2* RS232/422/485 2* RS232 (option 16bit GPIO) 1* HDMI 1* AT/ATX Mode Button 2* RJ45 (1* Intel® I225-V 2.5GbE, 1* Intel® I219LM GbE) 1* 12~36V DC-in Locking Jack 1* Power button 1* 2pin Front Power button
Storage	<ul style="list-style-type: none"> 1* 2.5" SATA HDD 1* M.2 M key (2242/2280, PCI-Ex4)
Expansion	<ul style="list-style-type: none"> 1* M.2 E key (2230) for WIFI 1* M.2 B key (3042/3052/6570) for 4G/5G Module (4pcs Built in Antenna)
Case	<ul style="list-style-type: none"> Aluminum panel Iron case White color Spray paint coating requirement
Power	<ul style="list-style-type: none"> AC version: 100~240V AC-DC 90W power adapter or DC version: 12VDC with over current protection fuse Consumption: 47.5W
Compliance	<ul style="list-style-type: none"> CE, FCC, IP65(Front), Option
Safety	<ul style="list-style-type: none"> Shock: 1ms duration Vibration: 5~500Hz/1 Grms
Dimensions	<ul style="list-style-type: none"> 400.9 x 333.3 x 65.0mm
Temperature	<ul style="list-style-type: none"> Operating Temperature: -10 ~60° C Storage Temperature: -20 ~ 70° C Humidity: 10% ~ 90% RH @40°C (non-condensing)
OS Support	<ul style="list-style-type: none"> Windows 10, 11, Linux
Warranty	2 Years Limited Warranty (Panel and Touch are 1 Year Warranty only)

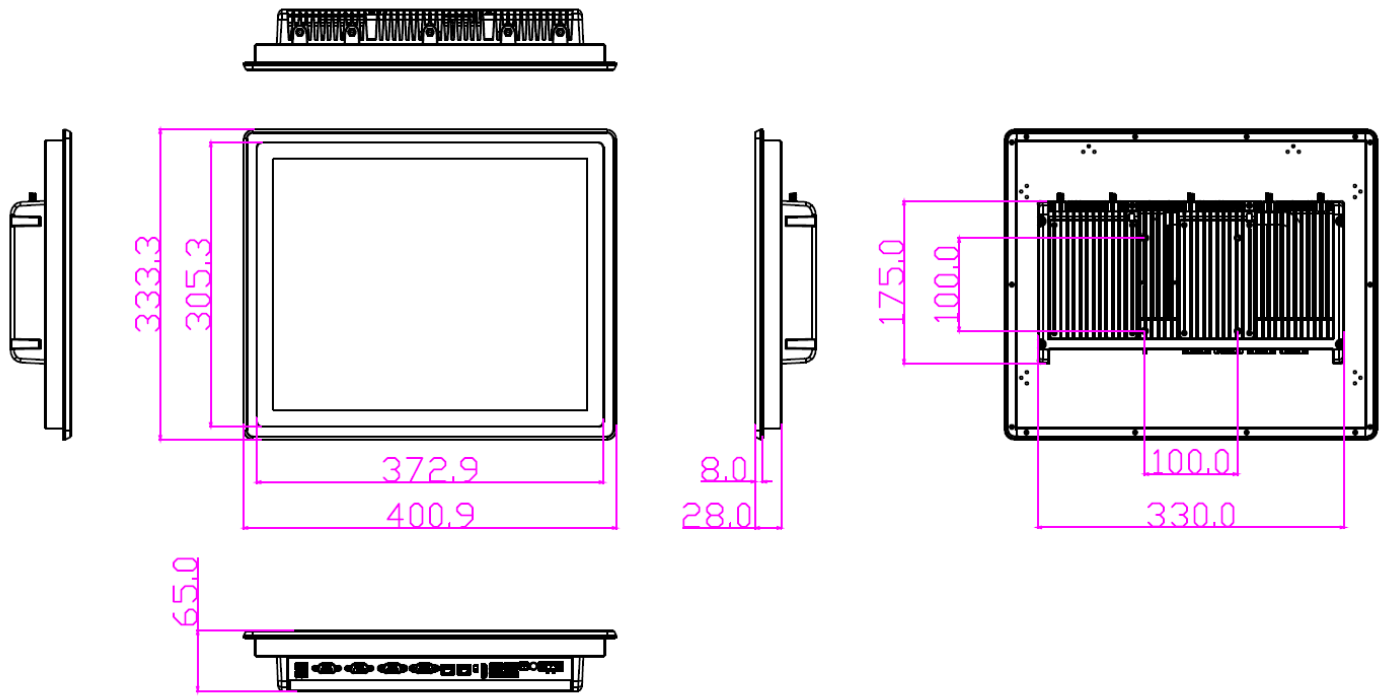
* Specifications subject to change without notice, not responsible for typographical errors. Does not include HDD or OS.

Standard Accessories

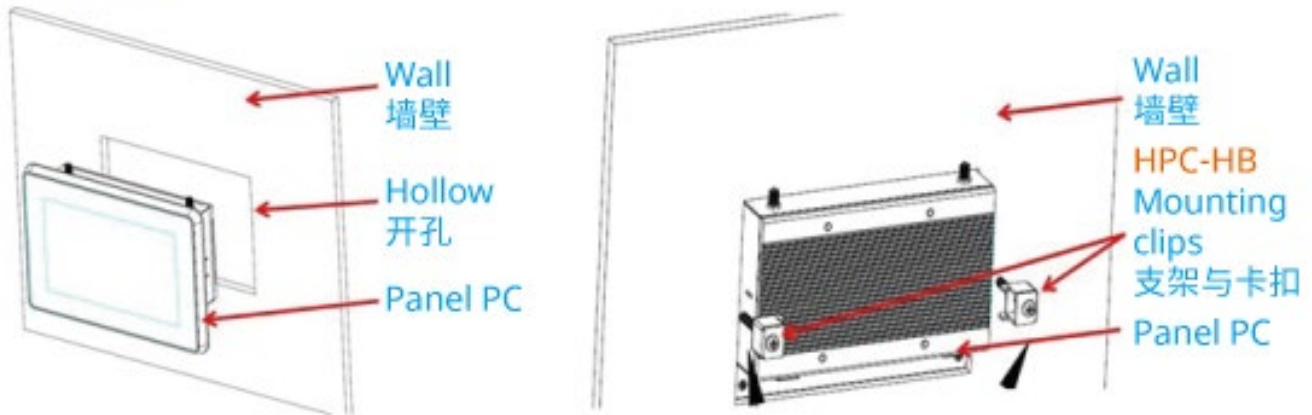
Part Number	Description
HPC170C-DCP6305E	HPC170C-DCP6305E
Change according to shipping area	Power cord
	90W AC-DC Adapter
HPC-HBD (option)	6* Mounting Clips



Mechanical Drawings (Unit=mm)



HPC-HB Mounting clips for 7", 8", 10.1" Panel PC



HPC-HBD Mounting clips for 10.4", 15", 15.6", 17", 18.5", 21.5", 23.8" Panel PC

