

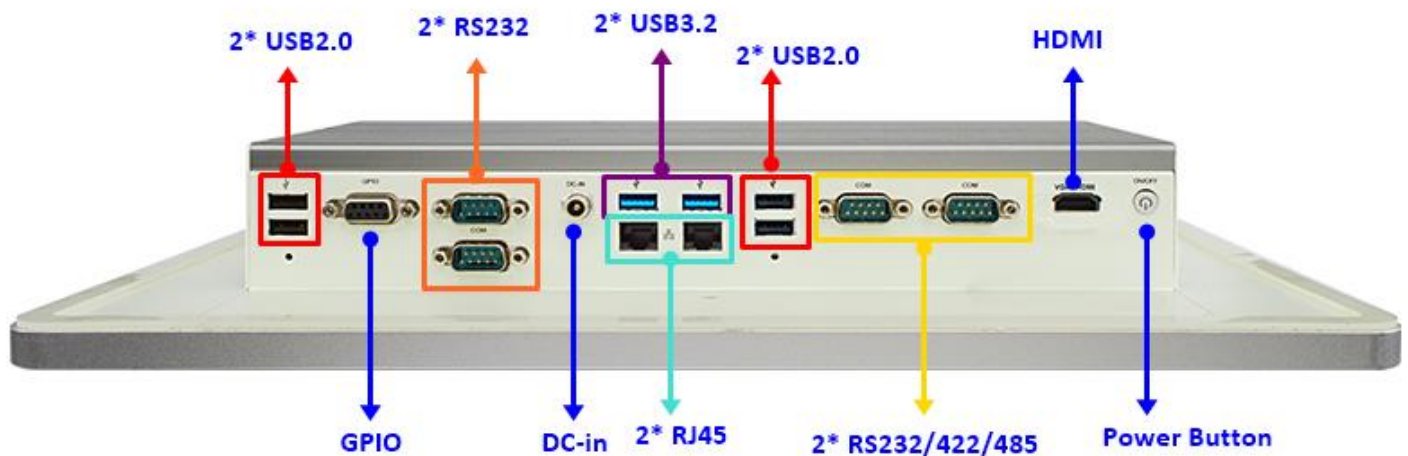
15.6" TFT FanLess Touch Panel Computer with Intel® Elkhart Lake J6412 2.0GHz Quad Cores Processor

Features

1. 15.6" 250 nits high brightness TFT LCD with LED backlight
2. 10-points Multi Capacitive Touch
3. Cable less, Streamlined enclosure for highly efficient heat dissipation. Enclosed in robust aluminum casings
4. Edge-to-edge narrow bezel design and Fanless cooling system
5. Design for easy Wall mount, Panel Mount, VESA Mount installation
6. A true Flat, easy-to-clean front surface with edge-to-edge design
7. USB2.0 Support Lock Device
8. 12~28V DC-input Support, with EOS, OVP design
9. Support TPM2.0 (HPC156SC-FP6412T2 only)
10. VESA Support 100x100mm



IO Diagram



Specifications

Model

HPC156SC-FP6412

Display

- NEMA 4 rugged protection, Full planar metal border
- 15.6" With LED Backlight
- 250nits Brightness (cd/m²)
- 262K display color
- 1920 x1080 @ 60Hz resolution
- 170°/170° viewing angle (H/V)
- 0.17925 x 0.17925mm pixel pitch
- 16:9 aspect ratio
- 800:1 contrast ratio
- 35ms response time

I/O Connector

- 2* USB3.2 (Gen1)
- 4* USB2.0
- 1* 8bit GPIO
- 2* RS232
- 2* RS232/422/485
- 1* HDMI2.0 (Max Resolution: 3840 x 2160@60Hz)
- 2* Intel® i225-V 2.5GbE
- 1* Locking Jack 12~28V DC input
- 1* Power button

Expansion

- 1* M.2 E-key (2230 for WIFI/BT Module)
- 1* M.2 B-key (3042/3052 for 4G/5G Module)

Power

- AC version: 100~240V AC-DC 60W power adapter or
- DC version: 12VDC with over current protection fuse
- Consumption: 27.5W

Safety

- Shock: 15G, 11ms duration
- Vibration: 5~500Hz/1 Grms

Temperature

- Operating: -10°C ~ 60°C (with W.T. DRAM/HDD in airflow condition)
- Operating: -10°C ~ 60°C (with W.T. DRAM/HDD)
- Storage: -20°C ~70°C

* Specifications subject to change without notice, not responsible for typographical errors. Does not include HDD or OS.

Main System

- Intel® Elkhart Lake J6412 2.0GHz/QC processor
- DDR4-3200MHz SO-DIMM up to 32GB
- 128MB SPI Flash ROM BIOS
- 2* 3W/8Ω Speaker
- Watchdog Timer 256 levels, 0~255 sec.
- OS Support Windows 10/ 11 / Linux (Option)

Touch Screen

- Projected capacitive type
- 387.00 x 231.00mm ±0.3mm
- Transparency ≥85%
- Surface Hardness ≥6H (JIS-5400)
- Glass haze value ≤3%

Storage

- 1* 2.5" SATA bay
- 1* M.2 M-key (2242/2280, SATA/NVMe)

Case

- Aluminum panel
- Iron case
- Silver + White color
- Spray paint coating requirement

Compliance

CE, FCC, option

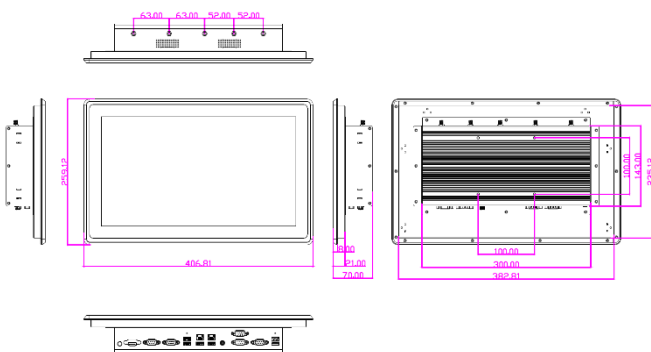
Dimensions

391.0 x 239.0 x 59.7mm

Warranty

2 Years Limited Warranty (Panel and Touch are 1 Year Warranty only)

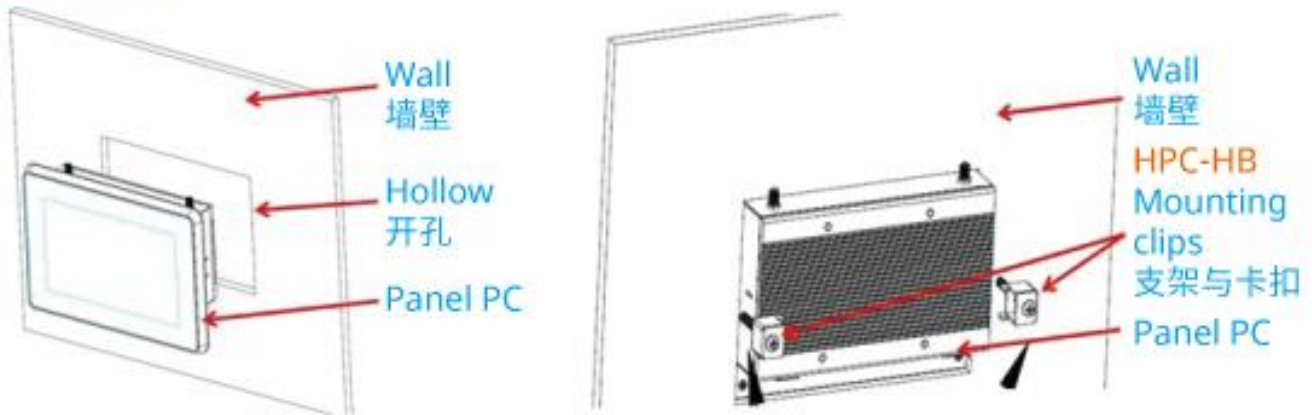
Mechanical Drawings (Unit=mm)



Standard Accessories

| Part Number | Description |
|-----------------|-------------------|
| | HPC156SC-FP6412 |
| | Power cord |
| | 60W AC-DC Adapter |
| HPC-HB (option) | 7* Mounting Clips |

HPC-HB Mounting clips for 7", 8", 10.1" Panel PC



HPC-HBD Mounting clips for 10.4", 15", 15.6", 17", 18.5", 21.5", 23.8" Panel PC

