

HPC101SC-FP1900B

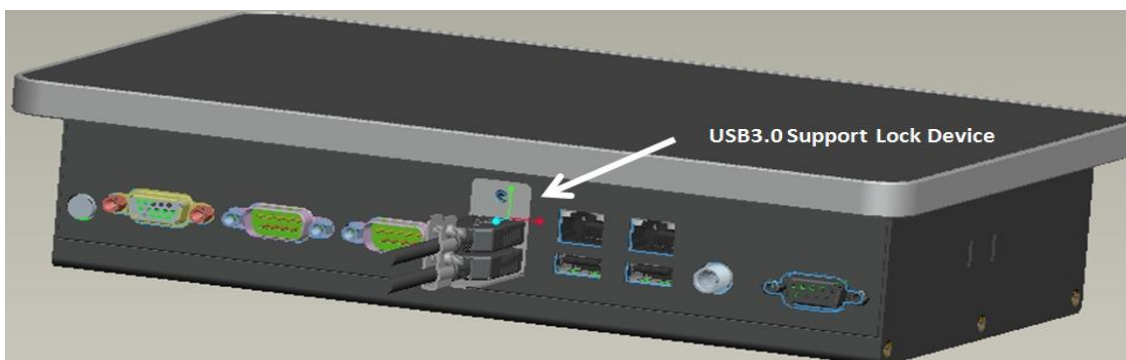
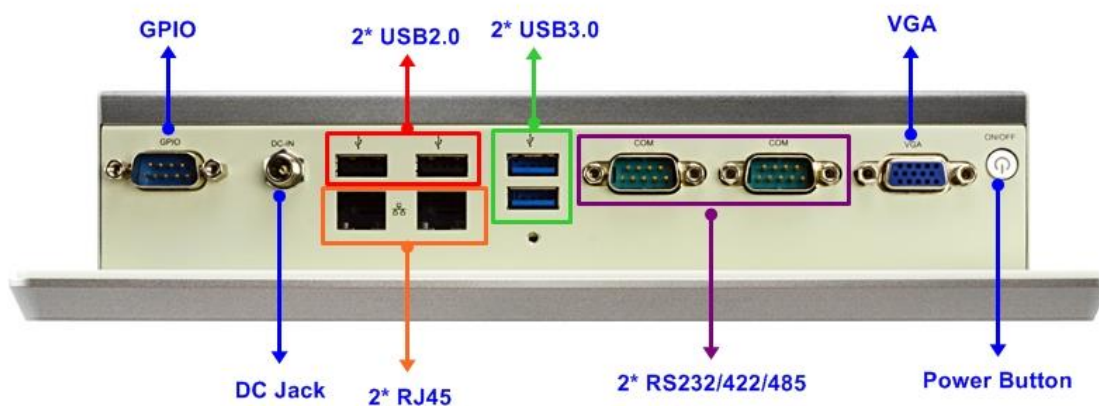
10.1" TFT Fanless Touch Panel Computer with Intel® Bay Trail-D J1900 2.0GHz Quad Cores Processor



1. 10.1" 400 nits high brightness TFT LCD with LED backlight
2. 10-points Multi Capacitive Touch
3. Cable less, Streamlined enclosure for highly efficient heat dissipation Enclosed in robust aluminum casings
4. Edge-to-edge narrow bezel design and Fanless cooling system
5. Design for easy Wall mount, Panel Mount, VESA Mount installation
6. A true Flat, easy-to-clean front surface with edge-to-edge design
7. USB3.0 Support Lock Device
8. 9-28V DC-input Support, with EOS, OVP design
9. Support TPM2.0 (HPC101SC-FP19BT2 only)
10. VESA Support 100x100mm



External I/O



Specifications

Display

Front Bezel	- NEMA 4 rugged protection, Full planar metal border
Display Type	- 10.1" With LED Backlight
Brightness (cd/m ²)	- 400 nits
Display Color	- 16.2M
Resolution	- 1280 x 800 @ 60Hz
Viewing Angle (H/V)	- 170°/170°
Pixel Pitch	- 0.1695 x 0.1695 mm
Aspect Ratio	- 16:10
Contrast Ratio	- 800:1
Response Time	- 30 ms

Touch screen

Type	- projected capacitive type
Active Range	- 257.10 x 159.66mm ±0.2mm
Transparency	- ≥ 87%
Surface Hardness	- ≥ 6H (JIS-5400)
Glass haze value	- ≅ 3%

CASE

Panel Material	Aluminum
Case Material	Iron
Color	Silver + White
Coating Requirement	Spray Paint

Main System

CPU	- Intel® Bay Trail-D J1900 2.0GHz/QC
RAM	- 4G 1333MHz DDR3L SAMSUNG DRAM
BIOS	- 64MB SPI Flash ROM
Storage	- 1* SATA + 1* M.2 connector (2242/2260/2280)
Speaker	- 2*3W/8Ω
Watchdog Timer	- 256 levels, 0~255 sec.
OS Support	- Windows 7 / 8.1 / 10 / Linux (Option)

I/O Connector

I/O Ports and Switches	- 2 * USB3.0 - 2 * USB2.0 - 1 * 8bit GPIO - 2 * RS232/422/485 - 1 * VGA
------------------------	---

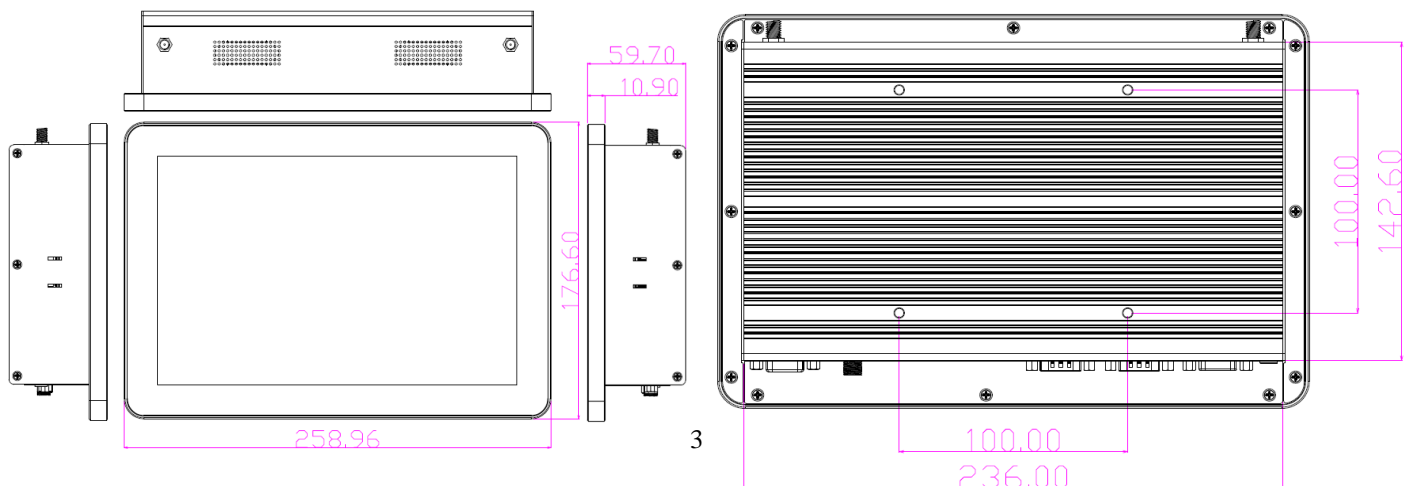
	<ul style="list-style-type: none"> - 2 * LAN (INTEL i211AT GbE) - 1 * Locking Jack 9~28V DC input - 1 * Power button
Expansion Interface	
Expansion	- 1 * Mini PCIe slot for WIFI or 3G/4G
Power	
Power Input	<ul style="list-style-type: none"> - AC version: 100~240V AC-DC 60W power adapter or - DC version: 12V DC with over current protection fuse
Power Consumption	- 21W
Dimensions	
Case Dimensions	- 258.96*176.60*59.7mm
Certifications	
Certifications	- CE, FCC, option
Environment	
Temperature	- Operating: -10°C ~ 60°C (with W.T. DRAM/HDD in airflow condition)
	- Operating: -10°C ~ 60°C (with W.T. DRAM/HDD)
	- Storage: -20°C ~ 85°C
Shock	- Operating: 15G , 11ms duration
Vibration	- Operating: 5~500Hz/1 Grms
Warranty	
Warranty	- 2 Years Limited Warranty (Panel and Touch is only Warranty 1Year)

*Specifications subject to change without notice, not responsible for typographical errors. Does not include HDD or OS.

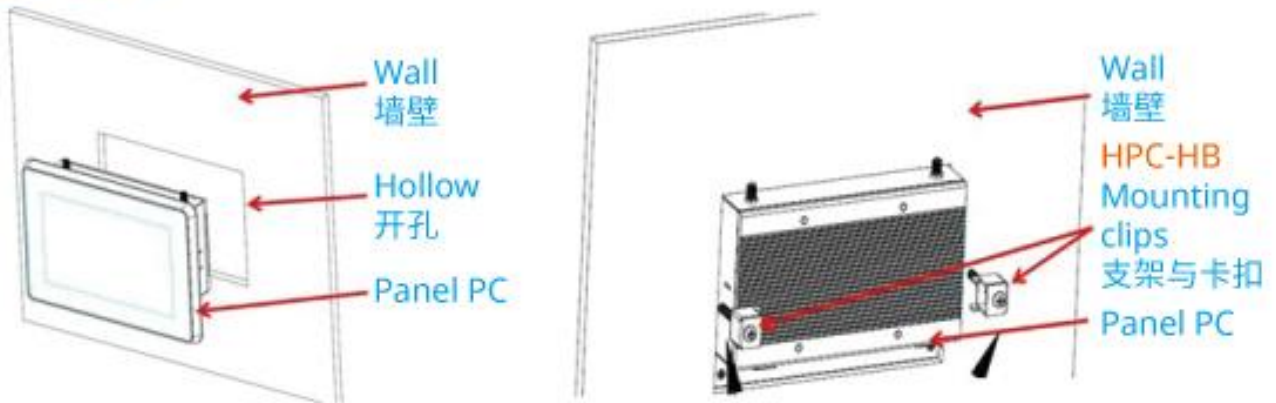
Standard Accessories

Part Number	Description
-----	HPC101SC-FP1900B
	Power cord
	60W AC-DC Adapter
HPC-HB (option)	4* Mounting Clips

Mechanical Drawings (Unit = mm)



HPC-HB Mounting clips for 7", 8", 10.1" Panel PC



HPC-HBD Mounting clips for 10.4", 15", 15.6", 17", 18.5", 21.5", 23.8" Panel PC

