



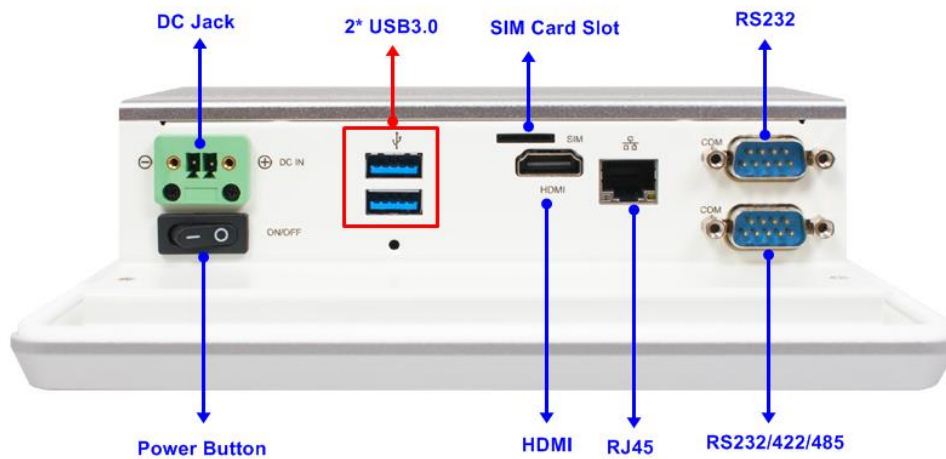
HPC080SC-FP3350

8.0" TFT Fanless Touch Panel Computer with Intel® Apollo Lake N3350 1.1GHz Dual Cores Processor

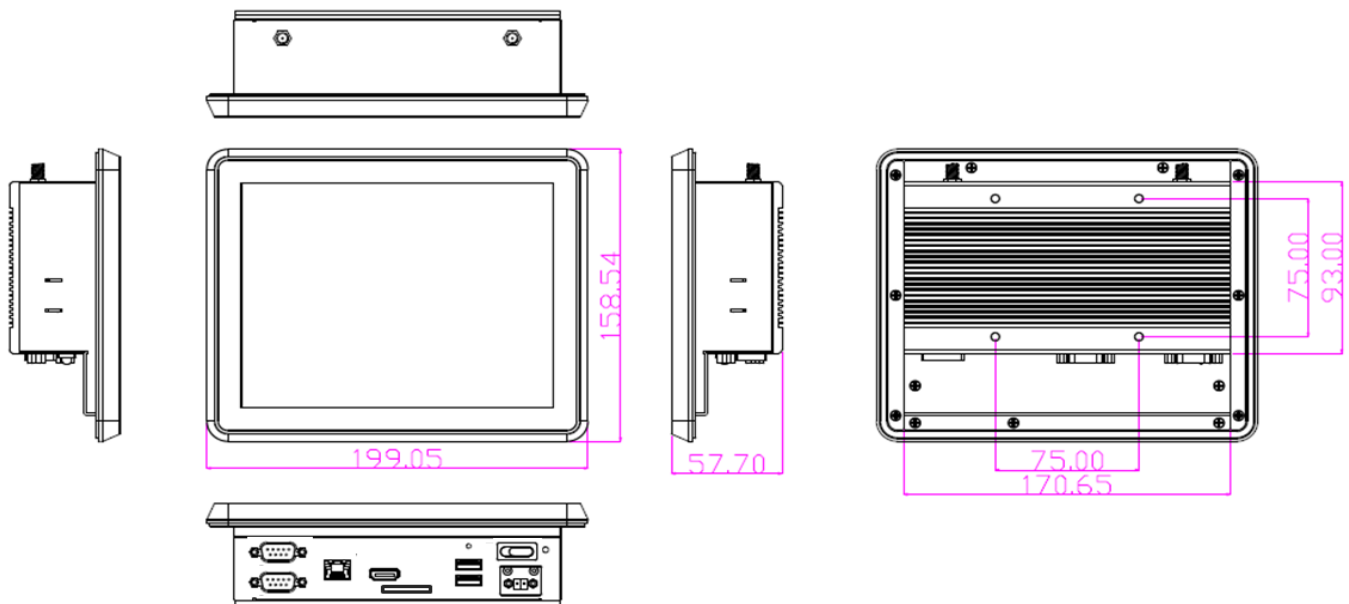
- 1. 8.0" 400 nits high brightness TFT LCD with LED backlight
- 2. 10-points Multi Capacitive Touch
- 3. Enclosed in robust aluminum casings
- 4. A true Flat, easy-to-clean front surface with edge-to-edge design
- 5. USB3.0 Support Lock Device
- 6. 12V DC-input Support, with EOS, OVP design
- 8. VESA Support 75x75mm



I/O Diagram



Mechanical Drawings (Unit = mm)



Specifications

Display

- NEMA 4 rugged protection, metal front bezel
- 8.0" With LED Backlight
- 400 nits
- 16.7M display color
- 1024 x 768 @60Hz resolution
- 160°/160° viewing angle (H/V)
- 0.158 x 0.158mm pixel pitch
- 4:3 aspect ratio
- 700:1 contrast ratio
- 30ms response time

Case

- Aluminum panel
- Iron case
- Silver + white color
- Spray paint coating requirement

Storage

- 1* M.2 Socket (2242 size)

I/O Connector

- 2* USB3.0
- 1* RS232/422/485 + 1* RS232
- 1* HDMI
- 1* Realtek® RTL8111H GbE
- 1* Locking Jack 12V DC input
- 1* SIM card slot
- 1* Power button

Power Consumption

- 13W

Compliance

CE, FCC, Option

Temperature

- Operating: -10°C ~ 60°C
- Storage: -20°C ~ 70°C

Touch Screen

- Projected capacitive type
- 163.05 x 122.54mm ±0.2mm active range
- Transparency \geq 85%
- Operating force \leq 50g
- Surface Hardness \geq 6H (JIS-5400)
- Glass haze value \leq 3%

Main System

- Intel® Apollo Lake N3350 1.1GHz/DC processor
- 1* DDR3L SO-DIMM (Max 8GB)
- 128MB SPI Flash ROM
- Watchdog Timer 256 levels, 0~255 sec.
- OS Support Windows 10 / Linux

Expansion

1* Mini PCIe for WIFI or 3G/4G

Power Input

- AC version: 100~240V AC-DC 60W power adapter or
- DC version: 12VDC with over current protection fuse

Dimensions

199.05 * 158.54 * 57.70mm

Safety

- Shock: 11ms duration
- Vibration: 5~500Hz/1 Grms

Warranty

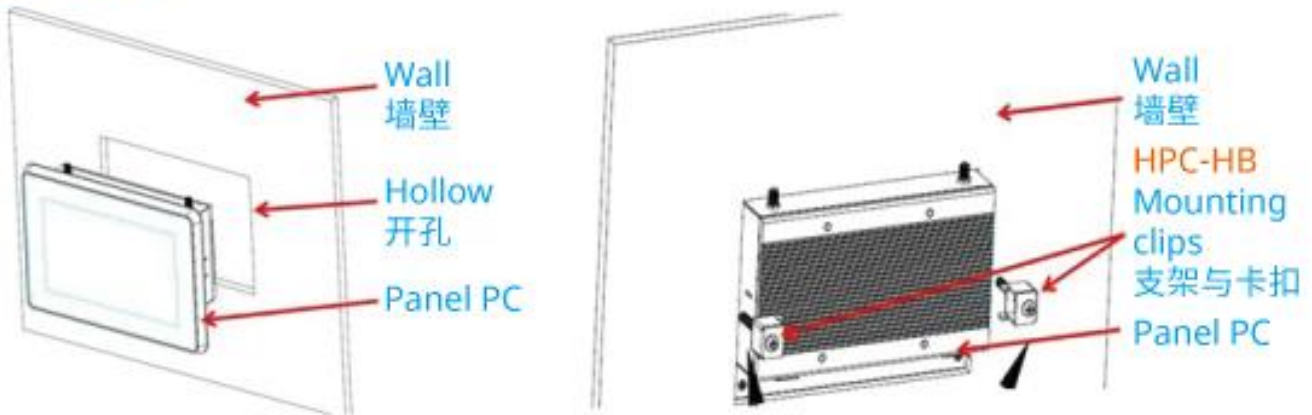
2 Years Limited Warranty (Panel and Touch are only 1 Year Warranty)

* Specifications subject to change without notice, not responsible for typographical errors. Does not include HDD or OS.

Standard Accessories

Parts Number	Description	Parts Number	Description
-----	HPC080SC-FP3350	L01AS053-F	Adapter 12V/5A 60W
Change according to shipping area	Power cord	J05-ANT-GX55240-F	L-Antenna
		HPC-HB (option)	2* Mounting Clips

HPC-HB Mounting clips for 7", 8", 10.1" Panel PC



HPC-HBD Mounting clips for 10.4", 15", 15.6", 17", 18.5", 21.5", 23.8" Panel PC

