

HPC070SC-FP2807A

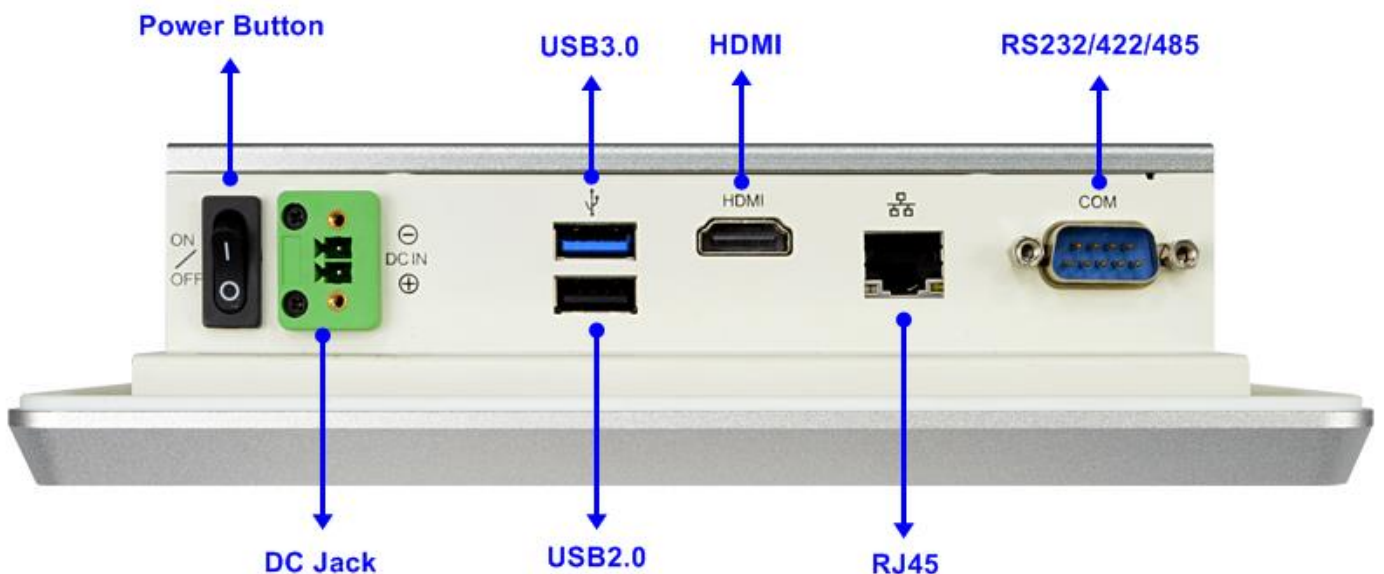
7" TFT FanLess Touch Panel Computer with Intel® BayTrail-M N2807 1.58GHz Dual Cores Processor



1. 7" 320 nits high brightness TFT LCD with LED backlight
2. 10-points Multi Capacitive Touch
3. Streamlined enclosure for highly efficient heat dissipation
4. Enclosed in robust aluminum casings
5. Edge-to-edge narrow bezel design and Fanless cooling system
6. Design for easy Wall mount, Panel Mount, VESA Mount installation
7. A true Flat, easy-to-clean front surface with edge-to-edge design
8. VESA Support 75x75mm



External I/O



Specifications

Display

| | |
|---------------------------------|--|
| Front Bezel | - NEMA 4 rugged protection, Full planar metal border |
| Display Type | - 7" With LED Backlight |
| Brightness (cd/m ²) | - 320 nits |
| Display Color | - 16.7M |
| Resolution | - 1024 x 600 @ 60Hz |
| Viewing Angle (H/V) | - 150°/145° |
| Pixel Pitch | - 0.15 x 0.15 mm |
| Aspect Ratio | - 16:9 |
| Contrast Ratio | - 500:1 |
| Response Time | - 30 ms |

Touch Screen

| | |
|------------------|-----------------------------|
| Type | - projected capacitive type |
| Active Range | - 152.40 x 91.44mm ±0.2mm |
| Transparency | - ≥ 85% |
| Surface Hardness | - ≥6H (JIS-5400) |
| Glass haze value | - ≤ 3% |

CASE

| | |
|---------------------|------------------|
| Panel Material | - Aluminum |
| Case Material | - Iron |
| Color | - Silver + white |
| Coating Requirement | - Spray Paint |

Main System

| | |
|----------------|---|
| CPU | - Intel® Bay Trail-M N2807 1.58GHz/DC |
| RAM | - 2G 1333MHz DDR3L SAMSUNG DRAM |
| BIOS | - 64MB SPI Flash ROM |
| Storage | - 1 * M-SATA connector (Full size) |
| Watchdog Timer | - 256 levels, 0~255 sec. |
| OS Support | - Windows 7 / 8.1 / 10 / Linux (Option) |

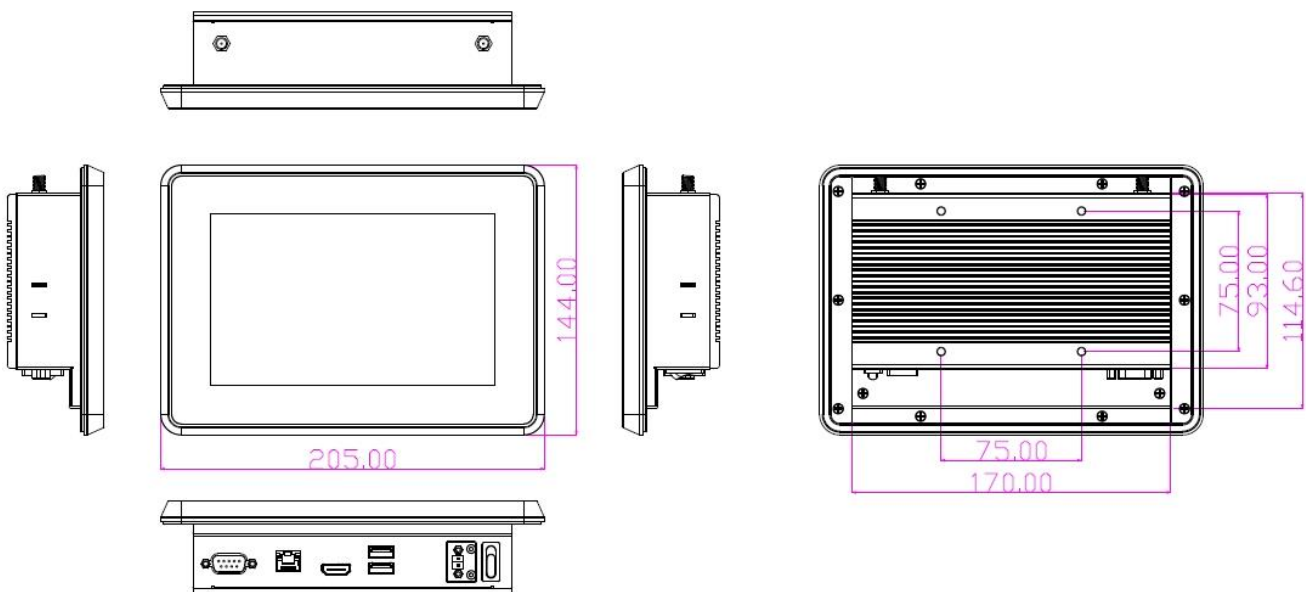
I/O Connector

| | |
|------------------------|---|
| I/O Ports and Switches | - 1 * USB3.0 - 1 * USB2.0 - 1 * RS232/422/485 - 1 * HDMI - 1 * LAN (Gigabit LAN) - 1 * Euro terminal block by 12V DC input |
|------------------------|---|

| | |
|----------------------------|--|
| | - 1 * Power button |
| Expansion Interface | |
| Expansion | - 1 * PCI-E mini card for WIFI or 3G/4G |
| Power | |
| Power Input | - AC version: 100~240V AC-DC 60W power adapter or - DC version: 12V _{DC} with over current protection fuse |
| Power Consumption | - 13W |
| Dimensions | |
| Case Dimensions | - 205.0*144.0*51.7mm |
| Packing Dimensions | - Net Weight: KG - Gross Weight: KG - Color Box dimension: (W) * (D) * (H) mm |
| Certifications | |
| Certifications | - CE, FCC, option |
| Environment | |
| Temperature | - Operating: -10°C ~ 60°C (with W.T. DRAM/HDD in airflow condition) |
| | - Operating: -10°C ~ 60°C (with W.T. DRAM/HDD) |
| | - Storage: -20°C ~ 85°C |
| Shock | - Operating: 15G , 11ms duration |
| Vibration | - Operating: 5~500Hz/1 Grms |
| Warranty | |
| Warranty | - 2 Years Limited Warranty (Panel and Touch is only Warranty 1 Year) |

*Specifications subject to change without notice, not responsible for typographical errors. Does not include HDD or OS.

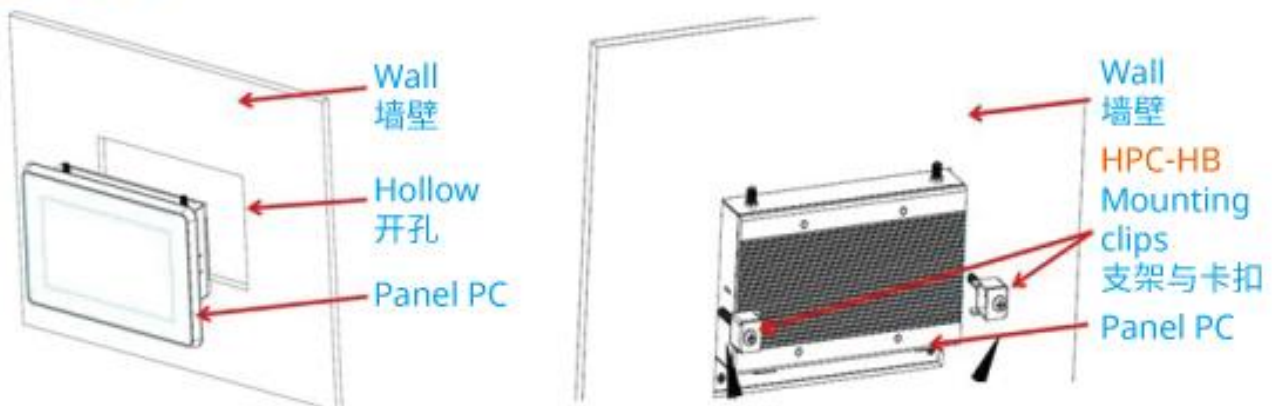
Mechanical Drawings (Unit = mm)



Standard Accessories

| Part Number | Description |
|-----------------------------------|--------------------|
| ----- | HPC070SC-FP2807A |
| Change according to shipping area | Power cord |
| L01AS053-F | Adapter 12V/5A 60W |
| J05-ANT-GX55240-F | L-Antenna |
| HPC-HB (option) | 2* Mounting Clips |

HPC-HB Mounting clips for 7", 8", 10.1" Panle PC



HPC-HBD Mounting clips for 10.4", 15", 15.6", 17", 18.5", 21.5", 23.8" Panle PC

