

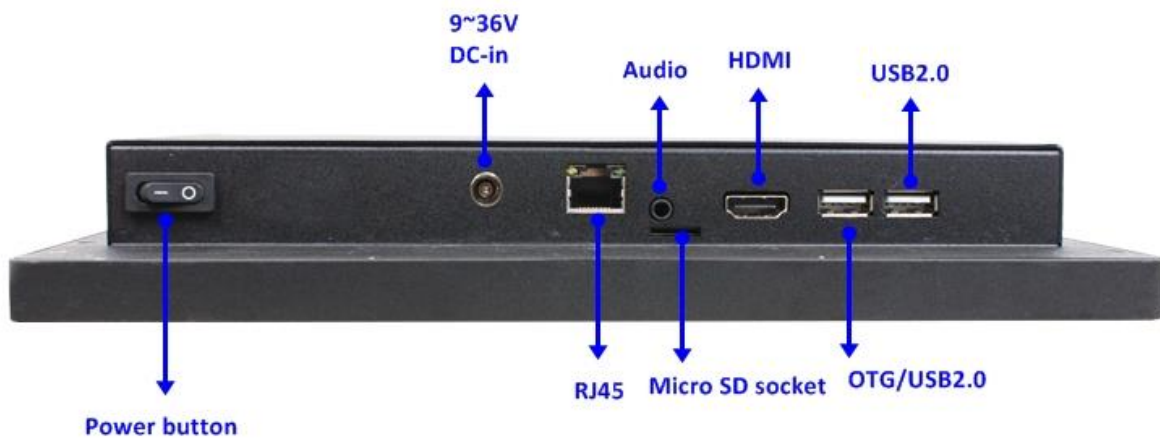
HPC-WV101

10.1" TFT Fanless Panel Computer with Rockchip® ARM Cortex RK3288 1.8GHz Quad Cores Processor, Support 9~36V Wide Voltage DC-in

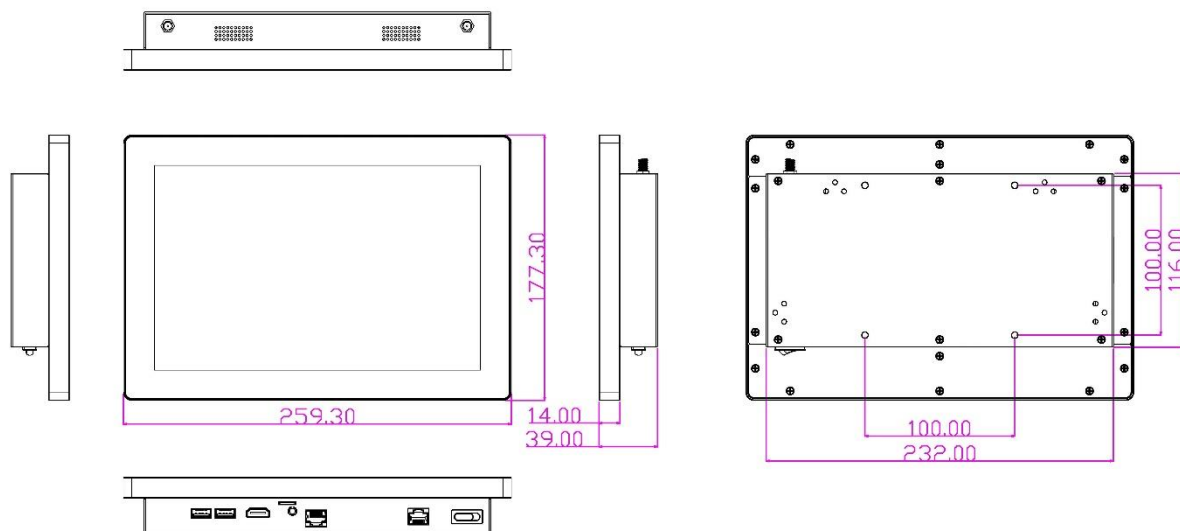
1. 10.1" 350 nits TFT LCD with LED backlight
2. Onboard 1333/2GB DDR3L DRAM
3. Onboard 8G Flash ROM
4. Support Android 5.1/9.0 or Debian 9.0
5. Support 802.11 b/g/n 2.4G, BT-V4.0
6. Support 9~36V DC-in
7. VESA Support 100x100mm



I/O Diagram



Mechanical Drawings (Unit = mm)



Specifications

Display

- NEMA 4 rugged protection, metal front bezel
- 10.1" With LED Backlight
- 350 nits Brightness (cd/m²)
- 262K display color
- 1280 x 800 @ 60Hz resolution
- 160°/160° viewing angle (H/V)
- 0.1695 x 0.1695mm pixel pitch
- 16:10 aspect ratio
- 600:1 contrast ratio
- 25ms response time

Case

- Aluminum panel
- Iron case
- Black color
- Spray paint coating requirement

I/O Connector

- 2* USB2.0 (USB1 Co-lay OTG)
- 1* HDMI 1.4
- 1* AUDIO(Line-out +MIC)
- 1* Micro SD Socket
- 1* Power Button
- 1* GbE
- 1* 9~36V DC jack

Expansion

1* Micro SD socket

Compliance

CE, FCC, Option

Temperature

- Operating: -10°C ~ 50°C
- Storage: -20°C ~ 60°C

Touch Screen

- Projected capacitive type
- 257.10 x 159.66mm ±0.2mm active range
- Transparency ≥ 87%
- Operating force ≤ 80g
- Surface Hardness ≥ 6H (ASTM D3363, pressure 1N/45°)

Main System

- Rockchip® ARM Cortex A17 1.8GHz/QC processor
- Onboard 1333/2GB DDR3L DRAM
- Onboard 8G Flash ROM
- Watchdog Timer 256 levels, 0~255 sec.
- Speaker: 2* 2W/80hm
- Camera: 1* 500W USB (Option)
- OS Support Android 5.1/9.0 or Debian 9.0
- Power consumption: 8.5W

Power

9~36V DC-in

Dimensions

259.3 * 177.3 * 39.0mm

Safety

- Shock: 15G, 11ms duration
- Vibration: 5~500Hz/1 Grms

Warranty

2 Years Limited Warranty (Panel and Touch are only 1 Year Warranty)

* Specifications subject to change without notice, not responsible for typographical errors. Does not include HDD or OS.

Standard Accessories

Parts Number

Description

Change according to shipping area

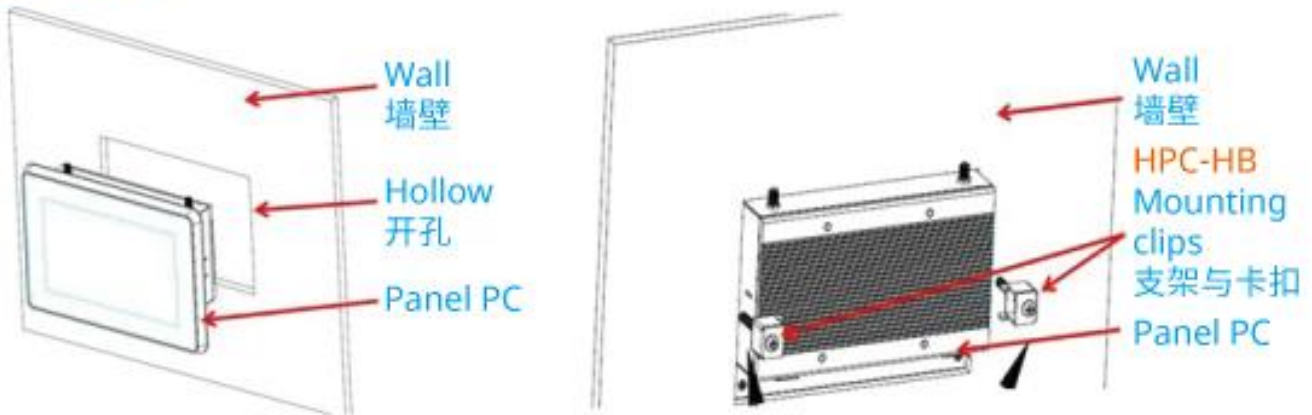
HPC-WV101
Power cord

Parts Number

Description

40W AC-DC Adapter
WIFI Antenna
HPC-HBD (option) 4* Mounting Clips

HPC-HB Mounting clips for 7", 8", 10.1" Panel PC



HPC-HBD Mounting clips for 10.4", 15", 15.6", 17", 18.5", 21.5", 23.8" Panel PC

