



## HPC-133 Series

13.3" TFT Fanless Panel Computer with Rockchip® ARM Cortex RK3288 1.8GHz Quad Cores Processor

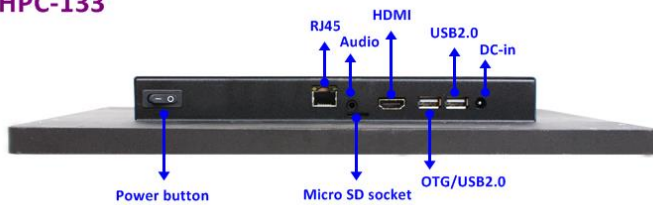
1. 13.3" 300 nits TFT LCD with LED backlight
2. Onboard 1333/2GB DDR3L DRAM
3. Onboard 8G Flash ROM
4. Support Android 5.1/9.0 or Debian 9.0
5. Support 802.11 b/g/n 2.4G, BT-V4.0
6. HPC-133: 12V DC-in
7. HPC-P133: Support PoE input
8. VESA Support 100x100mm



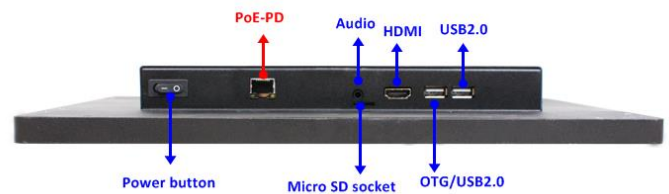
### I/O Diagram



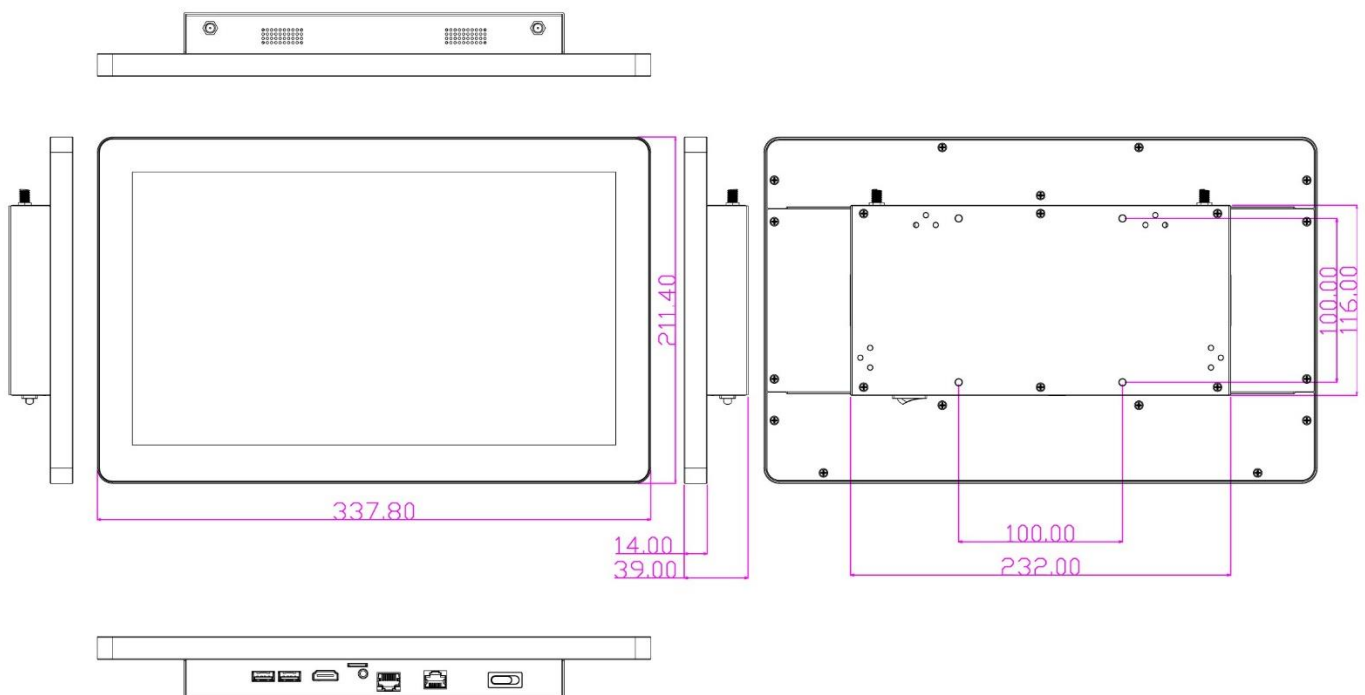
#### HPC-133



#### HPC-P133



### Mechanical Drawings (Unit = mm)



## Specifications

### Display

- NEMA 4 rugged protection, metal front bezel
- 13.3" With LED Backlight
- 300 nits Brightness (cd/m<sup>2</sup>)
- 262K display color
- 1920 x 1080 @ 60Hz resolution
- 170°/170° viewing angle (H/V)
- 0.153 x 0.153mm pixel pitch
- 16:10 aspect ratio
- 800:1 contrast ratio
- 35ms response time

### Case

- Aluminum panel
- Iron case
- Black color
- Spray paint coating requirement

### Expansion

- 1\* Micro SD socket

### I/O Connector

- 2\* USB2.0 (USB1 Co-lay OTG)
- 1\* HDMI 1.4
- 1\* AUDIO(Line-out +MIC)
- 1\* Micro SD Socket
- 1\* Power Button
- HPC-133: 1\* RJ45, 1\* DC jack
- HPC-P133: 1\* PoE PD

### Power Consumption

- 12.5W

### Compliance

CE, FCC, Option

### Temperature

- Operating: -10°C ~ 50°C
- Storage: -20°C ~ 60°C

### Touch Screen

- Projected capacitive type
- 355.0 x 197.0mm ±0.3mm active range
- Transparency ≥ 85%
- Operating force ≤ 50g
- Surface Hardness ≥ 6H (ASTM D3363, pressure 1N/45°)

### Main System

- Rockchip® ARM Cortex A17 1.8GHz/QC processor
- Onboard 1333/2GB DDR3L DRAM
- Onboard 8G Flash ROM
- Watchdog Timer 256 levels, 0~255 sec.
- Speaker: 2\* 2W/80hm
- Camera: 1\* 500W USB (Option)
- OS Support Android 5.1/9.0 or Debian 9.0

### PoE (HPC-P133)

- Regulatory Compliance: IEEE802.3af (PoE)
- Input Power: 44 ~ 57V input
- Pass Through Data Rates: 10/100/1000 Mbps

### Power Input

- HPC-101: 12V DC-in
- HPC-P101: 44 ~ 57V input

### Dimensions

337.8 \* 211.4 \* 39.0mm

### Safety

- Shock: 15G, 11ms duration
- Vibration: 5~500Hz/1 Grms

### Warranty

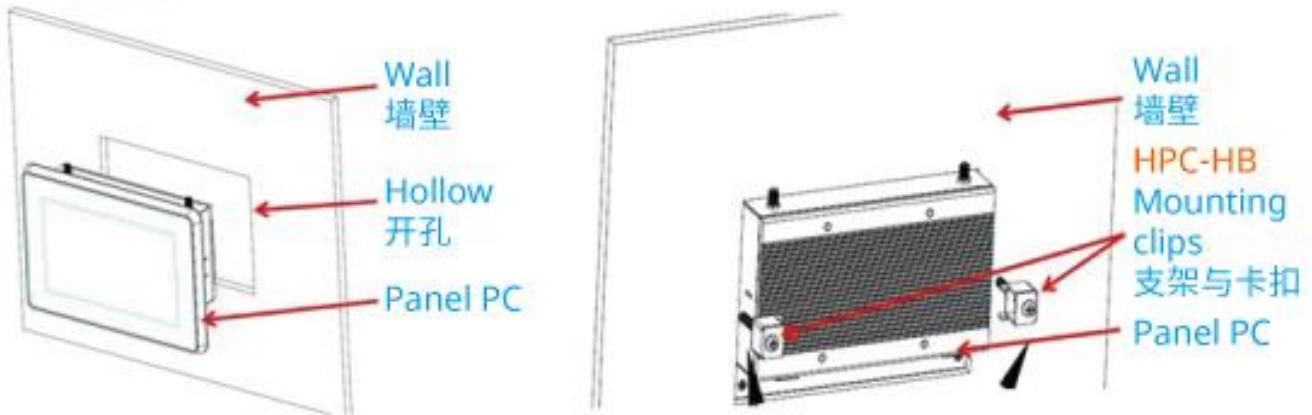
2 Years Limited Warranty (Panel and Touch are only 1 Year Warranty)

\* Specifications subject to change without notice, not responsible for typographical errors. Does not include HDD or OS.

## Standard Accessories

Parts Number	Description	Parts Number	Description
-----	HPC-133 /HPC-P133		40W AC-DC Adapter (for HPC-133)
Change according to shipping area	Power cord (for HPC-133)		WIFI Antenna
		HPC-HBD (option)	4* Mounting Clips

## HPC-HB Mounting clips for 7", 8", 10.1" Panel PC



## HPC-HBD Mounting clips for 10.4", 15", 15.6", 17", 18.5", 21.5", 23.8" Panel PC

