



HM-1100 Series

Intel® Haswell H81 chipset, LGA1150 processor, 1* PCI-E expansion slot, 2* PCI slots, 1* extend slot and 1* Mini PCIe slot



Product Introduction

HM-1100 uses 9~36V wide voltage design to support over voltage and over current protection, onboard 4G low voltage memory, and support up to 8G memory. It also supports 3* Display simultaneously and support front switch function.

HM-1100 is a system with whole aluminum structure of the thickness of 5mm. This can ensure its strength, stability and beautiful appearance in the same time. It also features with its fanless and wireless design, even the battery is designed with buckle assembly. These designs mostly ensure the stability of the system.

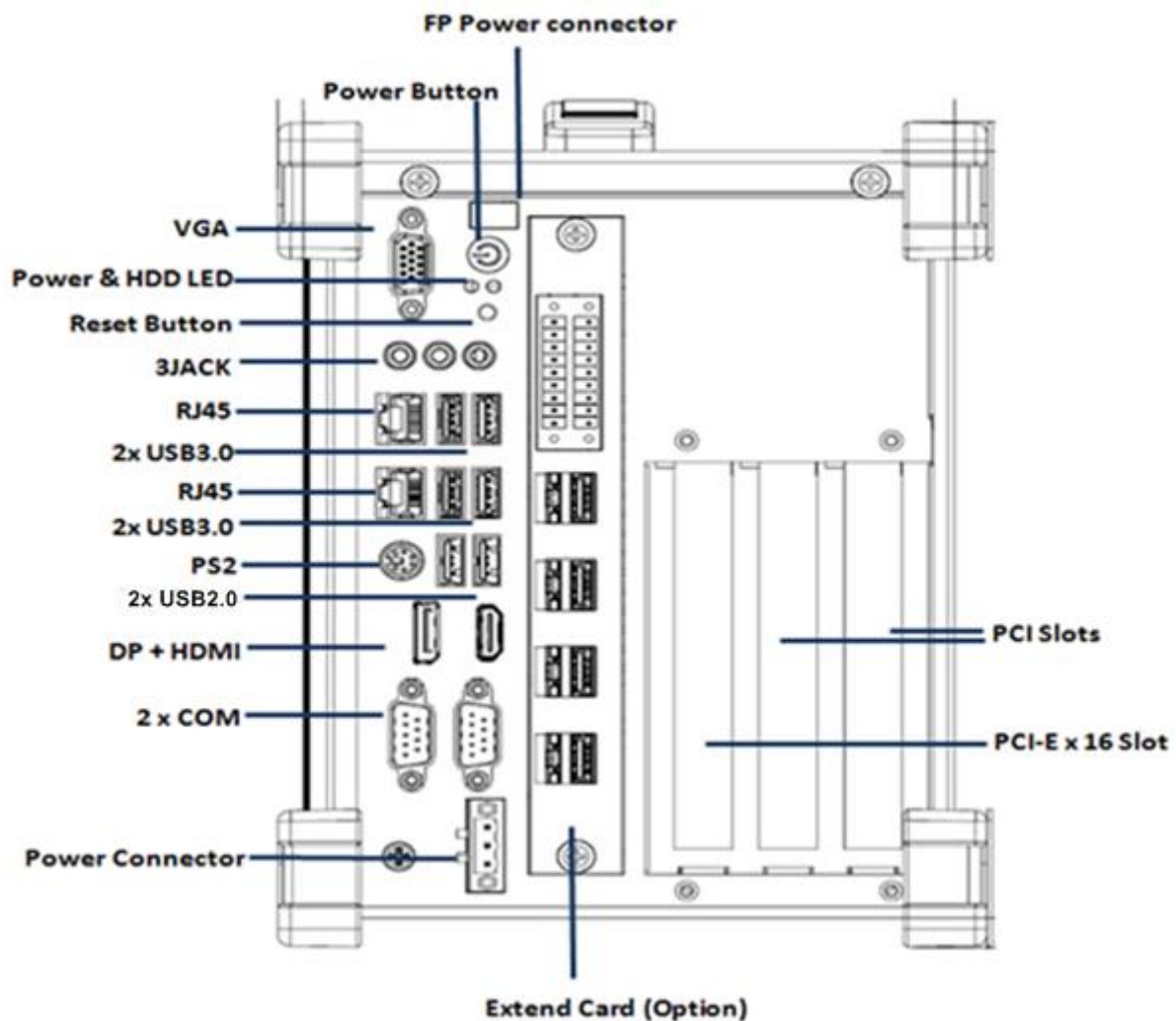
In order to support customers' different needs, HM-1100 possesses all kinds of expansion and extension function. For the expansion part, Jetway is able to design expansion cards based on customers' need. For the extension part, the standard interface HM-1100 uses is: 1*PCI-E x16 + PCI Slots, we can also provide extension daughter cards depend on your request. As an example, we can offer 5 *PCI Slots daughter card. In order to satisfy the need of watchdog function, there is a vertical USB interface inside the extension card.

Last but not least, we use the protective cover design on two sides of the heat sink. With this design, you won't have to worry about being scalded during the operation. With its good performance and safe operating design, we are sure you will be in love with HM-1100!

Features

1. Intel® LGA 1150 Socket Core i7/i5/i3 Processor (Max 54W)
2. Onboard 4G DDR3L/1600Mhz DRAM (Max 8GB)
3. 2 x Intel® i211AT 10/100/1000Base-T Ethernet
4. 2 x RS-232/422/485 ports with automatic flow control
5. VGA, HDMI, DP support 3 x independent displays
6. 4 x USB3.0, 2 x USB2.0, 1 x PCI-E x16 slot, 2 x PCI slots, 1 x extend slot
7. The extend slot can be used to extend 14 x USB3.0 or 4 x GbE or other functional interfaces
8. Thumb screw for easy maintenance and expansion card installation
9. The lead switch is convenient for the actual field operation
10. 9~36V wide input voltage can meet the needs of different industries

External I/O



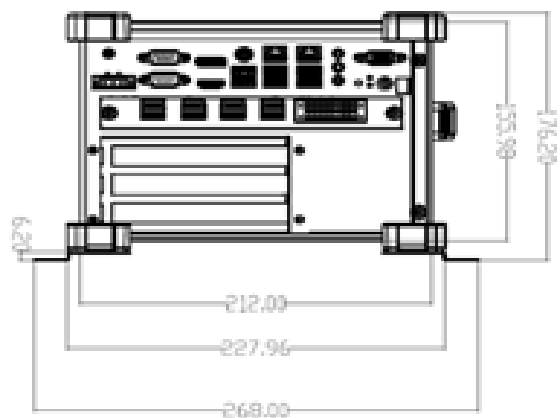
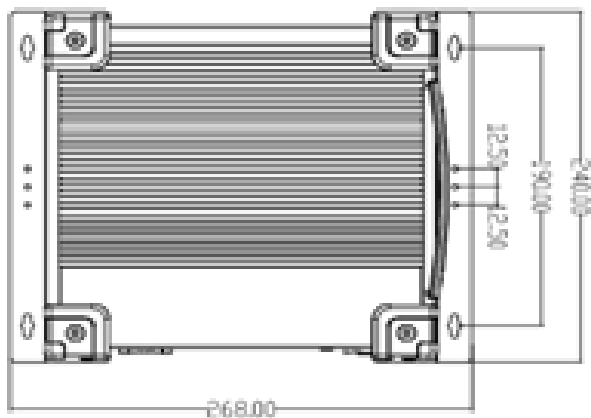
Specifications

Model / Part Number	
Model	- HM-1100 / HM-1100-4350T/ HM-1100-4590T / HM-1100-4770TE - HM-1100S / HM-1100S -4350T/ HM-1100S-4590T / HM-1100S-4770TE
Part Number	- HM-1100 / HM-1100-4350T/ HM-1100-4590T / HM-1100-4770TE - HM-1100S / HM-1100S -4350T/ HM-1100S-4590T / HM-1100S-4770TE
General	
Certification	- FCC, CE, ROHS
Dimensions	- 212x150x220mm (W x D x H)
Mounting	- Stand mount, Enclosure mount
Net Weight	- 6.4Kg
Power Requirements	- 9 ~ 36VDC
Power Consumption	- Change according to CPU
OS Support	- Windows XP/7/8/10, Linux
Hardware	
BIOS	- AMI 64Mbit Flash BIOS
CPU	- Intel® LGA 1150 Socket Core i7/i5/i3 Processor (Max 54W)
System Chip	- Intel® Haswell H81
Memory	- HM-1100: Onboard 4GB DDR3L/1600MHz Dram (Max 8GB) - HM-1100S: Onboard 8GB DDR3L/1600MHz Dram (Max 8GB)
Graphics	- Intel® HD Graphics 4000 series (by CPU)
Ethernet	- 2* Intel® i211AT GbE
Storage	- 1* built in 2.5" SATA HDD bracket - 1* M.2 socket (2260/2280 size)
Expansion	- 1* Full size Mini PCI-e - 1* PCI-e x16, 2* PCI slots (Optional 1 PCI-e x16, 1PCI slots or 3 PCI slots)
Extend	- 1 Extend Card - Support 8 x USB3.0 (Max 14) - 4* GIGALAN (Max 8) - 4* COM (RS232/422/485) - 16 bit GPIO(5/12/24V) (Max 32bit)
I/O Interface	
Power Connector	- 1* 3 Pin, terminal Block with lock
Serial Port	- 2* RS-232/422/485 with DB9 connectors, automatic RS-485 data flow control
Display	- 1* VGA, support 1920 x 1200@60Hz - 1* HDMI 1.4a, support 1920 x 1080@60Hz - 1* DP 1.2, support 1920 x 1080@60Hz
LAN Port	- 2* RJ45, 10/100/1000 Mbps

PS/2 Port	- 1* PS/2 Keyboard & Mouse port
USB Port	- 4* USB3.0, 2* USB2.0
Audio	- MIC, Line-in, Line-out
Power Button	- 1* Power Button
Rest Button	- 1* Reset Button
LED	- 1* Power LED, 1 x HDD LED
Front Power Button	- 1* 2Pin Power connector
Environment	
Temperature	- Operating: -10°C ~ 60°C - Storage: -20°C ~ 70°C
Relative Humidity	- 10 ~ 90% RH, non-condensing
Vibration Protection	- Operating , IEC 60068-2-64-2008 - 5.1Grms, random, 5 ~ 500Hz,1hr/axes (SSD)
Shock Protection	- Operating , IEC 60068-2-27-2008 - 30G,half sine wave,11ms(SSD)
CE Protection	- EN 55032 : 2015 - EN 55024 : 2010 + A1 : 2015 - EN 61000-3-2 : 2014 - EN 61000-3-3 : 2013
Warranty	
Warranty	- 2 Years Limited Warranty

*Specifications subject to change without notice, not responsible for typographical errors. Does not include HDD or OS.

Mechanical Drawings (Unit = mm)



Accessories

Parts Number	Description
-----	HM-1100 Series
L01AS056-F	Adapter 19V/6.32A 120W
LCSC417M01-F	Screw Pack
HCSHM1000MWM01BF	Wall Mount