



HBJC902LBT-1900

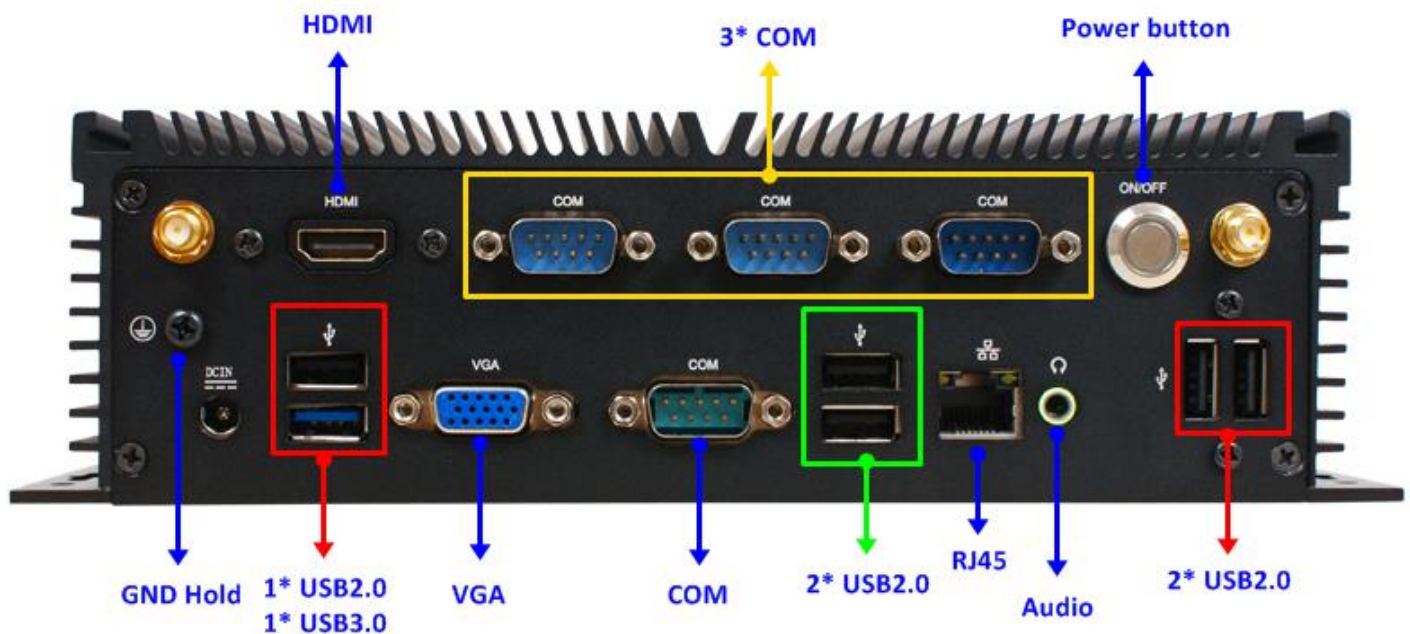
Intel® Bay Trail-D J1900 2.0GHz Quad Core processor, 4* RS232, 6* USB

1. Intel® Bay Trail-D J1900 2.0GHz/QC CPU
2. DDR3L DRAM up to 8GB
3. Support 1* mSATA, 1* Mini PCIe, 1* 2.5" HDD Device
4. 1* VGA, 1* HDMI
5. 4* RS232 (COM1/2 support 5V/12V), 1* USB3.0, 5* USB2.0
6. 12V DC-in



External I/O

Rear



Specifications

M/B Model	JNLBT-I1900	Part No	HBJC902LBT-1900
BIOS	AMI 64MB SMT Flash ROM	CPU/Chipset	Intel® Bay Trail-D J1900 2.0GHz/QC CPU
Memory	Support DDR3L DRAM up to 8GB	Network	1* RTL8111H Gigabit LAN
Storage	<ul style="list-style-type: none"> 1* 2.5" SATA 3Gb/s internal drive bay 1* mSATA Socket (Full size) 	Expansion	N/A
Rear Panel I/O	<ul style="list-style-type: none"> 1* USB3.0 5* USB2.0 4* RS232 (COM1/2 support 5V/12V) 1* VGA 1* HDMI 1* RJ45 1* Line-out 1* DC Jack 1* Power Button 	Front Panel I/O	N/A
Compliance	CE, FCC, RoHS, ErP Ready(Optional)	Power Source	DC 12V input
Temperature	<ul style="list-style-type: none"> Operating Temperature: -10 ~ 60° C Storage Temperature: -20 ~ 70° C 	Dimensions	234.0 (W) x 200.0 (D) x 64.5 (H) mm
OS Support	Windows 7, Windows 8.1, Windows 10, Linux	Warranty	2 Years limited warranty

* Specifications subject to change without notice, not responsible for typographical errors. Does not include HDD or OS.

Accessories

Parts Number	Description	Parts Number	Description
-----	HBJC902LBT-1900		12V/60W Adapter
Change according to shipping area	Power cord		