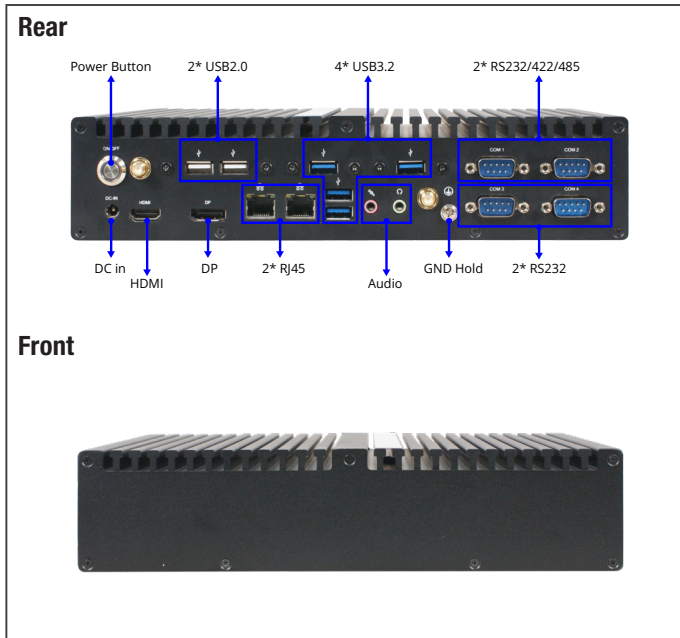


HBJC501I25-H610

Compact Fanless BOX PC Solutions

Intel® Alder Lake-S Chip, Support LGA1700 CPU, DDR4 up to 64GB, Support 12~19V DC-in



Specifications

SYSTEM	
CPU	Intel® LGA1700 Socket Core I3,I5,I7 Pentium Processor (Max 35W)
CHIPSET	Intel® Alder Lake-S H610 Chip
SYSTEM MEMORY	2 x DDR4-3200MHz up to 64GB
DISPLAY INTERFACE	1 x HDMI2.0 (Max Resolution: 4096x2160@60Hz) 1 x DP1.4 (Max Resolution: 7680x4320@60Hz)
STORAGE DEVICE	1 x 2.5" SATA 6Gb/s internal drive bay (only support 2.5" HDD with a height ≤ 10mm) 1 x M.2 M-key (2242/2280 PCI-Ex4 Gen.3 interface, NVMe)
ETHERNET	2 x Realtek® RTL8111H GbE
Front I/O	—
Rear I/O	2 x SMA Antenna Hole 1 x Power Button, Power LED 1 x DC jack 1 x HDMI 1 x DP 2 x USB2.0 2 x RJ45 4 x USB3.2 Gen.1 1 x Line-out 1 x MIC GND Hold 2 x RS232 2 x RS232/422/485
EXPANSION	1 x M.2 E key (2230, CNVi/PCI-Ex1/USB2.0) for WIFI/BT Module
INDICATOR	—
OS SUPPORT	Windows® 10 Windows® 11 Linux
POWER SUPPLY	
POWER REQUIREMENT	MB : DC 12~19V Input Adapter : AC100~240V / DC19V_6.32A_120W
MECHANICAL	
MOUNTING	Desktop, Wallmount, Din Rail
DIMENSIONS (W x H x D)	264.0(W) x 199.4 (D) x 58.0 (H) mm (7.92" x 5.98" x 1.74")
GROSS WEIGHT	—
NET WEIGHT	—
ENVIRONMENT & CERTIFICATION	
OPERATING TEMPERATURE	-10°C ~ 50°C (14°F ~123°F) (Under the condition of using M.2 interface SSD)
STORAGE TEMPERATURE	-20°C ~ 60°C (-4°F ~141°F)
OPERATING HUMIDITY	10 ~ 90% @ 40°C, non-condensing
ANTI-VIBRATION	—
ANTI-SHOCK	—
CERTIFICATION	CE/FCC Class A , LVD

Features

- Intel® 12th/13th/14th LGA1700 Socket Core I3,I5,I7 Pentium Processor (Max 35W), Intel® Alder Lake-S H610 Chip
- 2 x DDR4 3200MHz up to 64GB
- 2 x Realtek® RTL8111H GbE
- 1 x SATA III (6Gb/s), 1 x M.2 (M key 2242/2280, NVMe)
- 1 x M.2 E key (2230, CNVi/PCI-Ex1/USB2.0)
- 2 x RS232, 2 x RS232/422/485 (Support 5V/12V TTL), 4 x USB3.2 (Gen1), 2 x USB2.0
- 1x HDMI, 1x DP, Support Fanless cooling design
- 12~19V DC-in

Applications

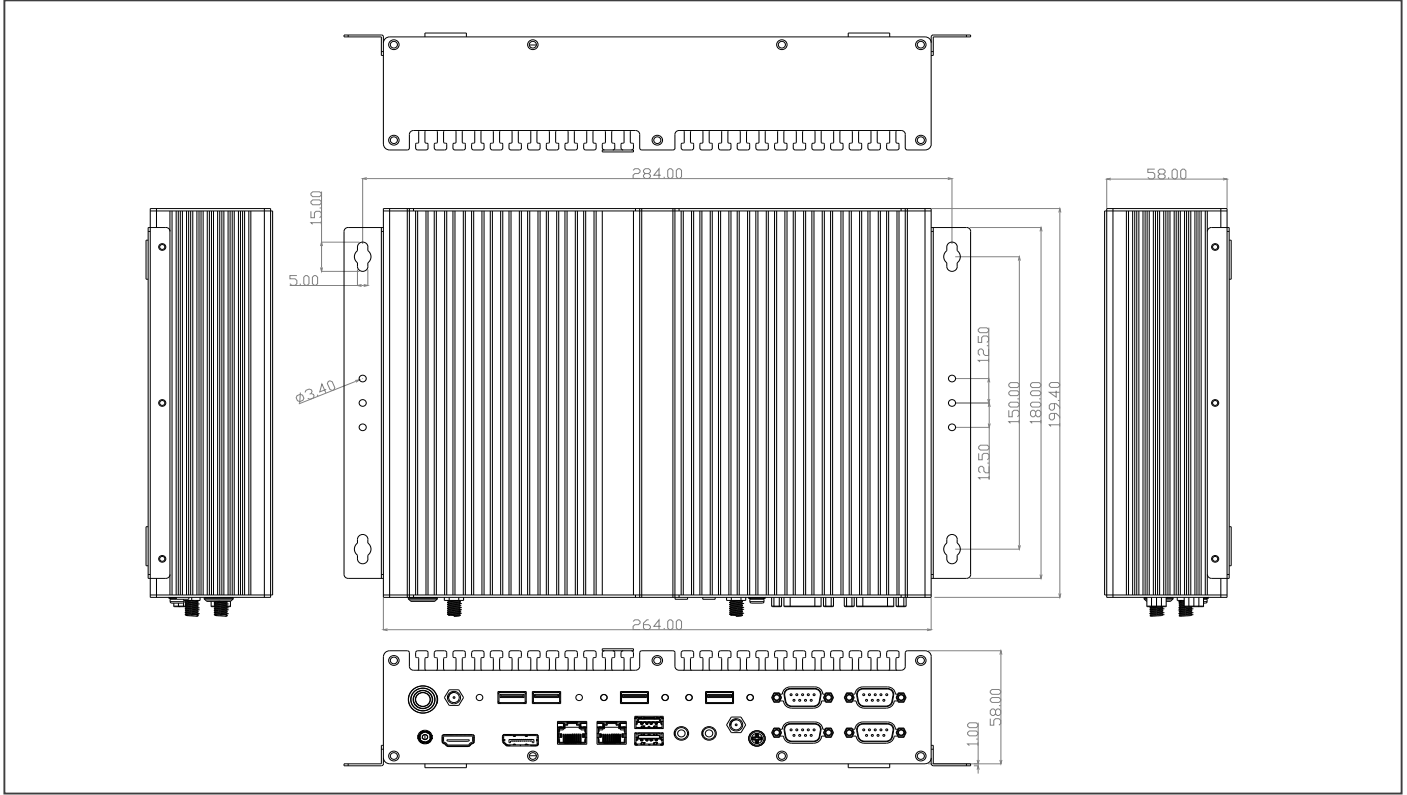
- IoT Solution, Automation Industry, Network security

Packing List

Part Number	Description	QTY
	HBJC501I25-H610	1
HCS5XXMWM01B-1F	Wall mount	2
L01AS056-1F	Adapter DC19V_120W	1
LCSCHBFDXXX-F	Screw Package	1
Change according to shipping area	Power cord	1

Dimension

Unit: mm



Ordering Information

Part Number	HBJC501I25-H610	HBJC501I25-H6102	HBJC501I25W-H610
LAN	2	2	2
USB 3.2	4	4	4
USB 2.0	2	2	2
RS-232	2	2	2
RS-232/422/485	2	2	2
AUDIO	Mic-in Line-out	Mic-in Line-out	Mic-in Line-out
STORAGE	1 x 2.5" SATA-III 1 x M.2 M (2242/2280)	1 x 2.5" SATA-III 1 x M.2 M (2242/2280)	1 x 2.5" SATA-III 1 x M.2 M (2242/2280)
DISPLAY	1 x HDMI2.0 1 x DP1.4	1 x HDMI2.0 1 x DP1.4	1 x HDMI2.0 1 x DP1.4
EXPANSION	1 x M.2 E (2230)	1 x M.2 E (2230)	1 x M.2 E (2230)
MOUNTING	Wallmount	Wallmount	Wallmount
POWER	12-19V	12-19V	12-19V
OPERATING TEMP	-10°C ~ 50°C (14°F ~123°F)	-10°C ~ 50°C (14°F ~123°F)	-10°C ~ 50°C (14°F ~123°F)
TPM	—	2.0	—
WIFI	—	—	yes
EMMC	—	—	—