

HBJC501F797-Q37-V Series

Intel® LGA1151 CPU, DDR4 2400/2666MHz up to 64GB, 1* HDMI, 19V DC-in

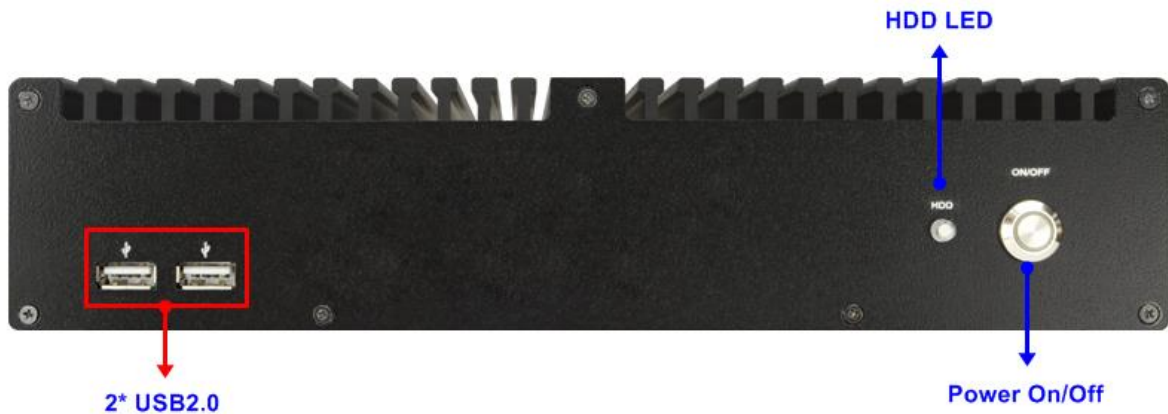
Features

1. Supports Intel® LGA1151 Coffee Lake Processors
2. Supports DDR4 2400/2666MHz SO-DIMM up to 64GB
3. Fanless Black Aluminum Enclosure
4. Supports up to 3 Displays with 1*HDMI, 2*DP
5. 1*SATAIII 6Gb/S Internal Drive bay
6. 1*M.2 (M-key, 2242/2260/2280, support NVMe) slot for SSD
7. Supports onboard TPM 2.0 (option)
8. 19V DC-in-6.3A 120W

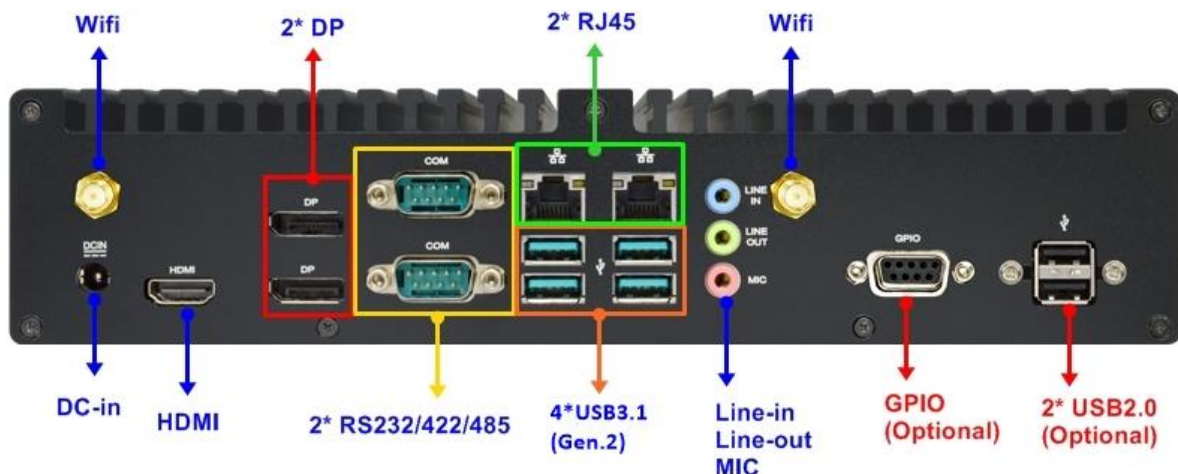


intel. FC CE RoHS COMPLIANT

Front I/O



Rear I/O



Specifications

Model

- HBJC501F797-Q37-V
- HBJC501F797I-Q37-V (Wifi)

BIOS

AMI SMT Flash ROM

Network

- 1* Intel® i219LM GbE
- 1* Intel® i225V 2.5GbE

Storage

- 1* M.2 M-Key (2242/226/2280, support NVMe) for SSD
- 1* 2.5" SATAIII Device (support 2.5" HDD with a height ≤ 10mm)

Rear Panel I/O

- 4* USB 3.1 (Gen.2)
- 1* HDMI
- 2* DP
- 2* RJ45
- 1* Audio (Line-in, Line-out, MIC)
- 2* RS232/422/485
- 2* Antenna holes (HBJC501F797I-Q37-V only)
- 1* DC-in Jack

Internal Connector

NA

Compliance

CE, FCC, LVD, RoHS, ErP Ready

Temperature

- Operating Temperature: -20 ~ 50° C
- Storage Temperature: -10 ~ 70° C
- Humidity : 10% ~ 90% RH @40°C (non-condensing)

OS Support

Windows 10, Linux.

Warranty

2 Years limited warranty

* Specifications subject to change without notice, not responsible for typographical errors. Does not include HDD or OS.

CPU / Chipset

- Intel® LGA1151 Coffee Lake Processor (Max. TDP 35W)
- Intel® Q370 chipset

Memory

2* Dual Channel DDR4 2400/2666MHz SO-DIMM up to 64GB

Graphics

- Intel® HD Graphics, shared memory
- 1* HDMI 1.4 (Max Resolution: 4096x2160@30Hz) option with DP
- 2* DP (Max Resolution: 4096x2304@60Hz)
- Support Triple Displays

Expansion

- 1* PCIe x4
- 1* M.2 E-Key (2230, PCIe interface)

Front Panel I/O

- 1* Power button
- 1* HDD LED
- 2* USB 2.0

Power Source

- JNF797V-Q370 MB : DC-in 9~36V
- Adapter : AC_90~240V / DC_19V / 120W

Dimensions

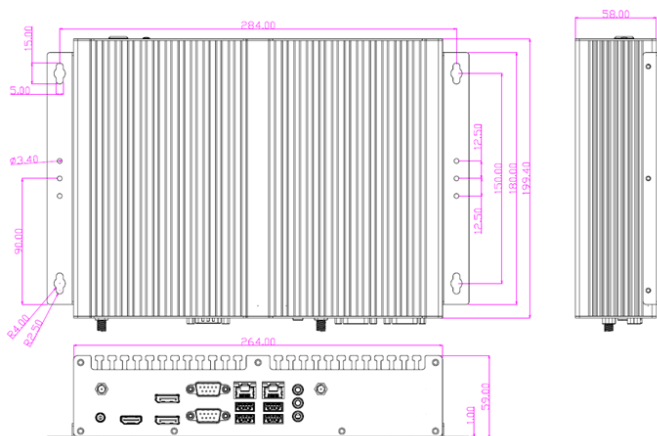
System: 264 (W) x 199.4 (D) x 58 (H) mm

Box: 406 (W) x 148 (D) x 380 (H) mm

Part Number Rules



Mechanical Drawings (Unit=mm)



Standard Accessories

Part Number	Description
-----	HBJC501F797-Q37-V Series
L01AS056-F	Adapter 19V/6.32A 120W
Change according to shipping area	Power cord
HCS5XXMWM01B-1F	JC5XX Wall mount / Black color
LCSCHBJC3XX-F	Screw pack
J05-ANT-GX55240-F	Antenna 2.4G – 2.2dBi GX552400001SM (HBJC501F797I-Q37-V only)
HCS3XXDINRAILPS-F	Din Rail Clip