



HBJC501F697 Series

Intel® LGA1151 CPU, DDR4 2133MHz up to 32GB, 4 * USB3.0, 1 * HDMI, 2 * DP, 2 * LAN

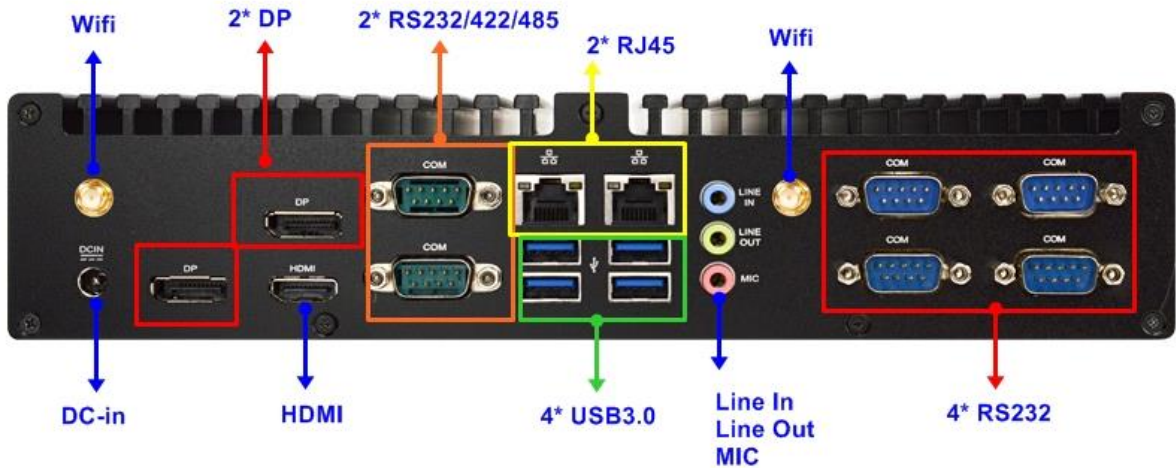


1. Fanless Black Aluminum Enclosure
2. Support Intel LGA1151 Socket 6th & 7th generation Pentium, Core i3, i5, i7 Processors (TDP 35W)
3. Supports DDR4-2133MHz SODIMM up to 32GB
4. Supports up to 3 Displays, 1* HDMI, 2* DP
5. 1* 2.5" SATAIII 6Gb/s Internal Drive bay
6. 1* full-size Mini PCIe slot
7. Support Onboard TPM IC (option)
8. 4* USB 3.0 Ports, 2* USB 2.0 Ports
9. 2* Serial Ports (2* RS232/422/485)
10. Watchdog Timer, 120W 19V AC Adapter



External I/O

Rear



Front



Specifications

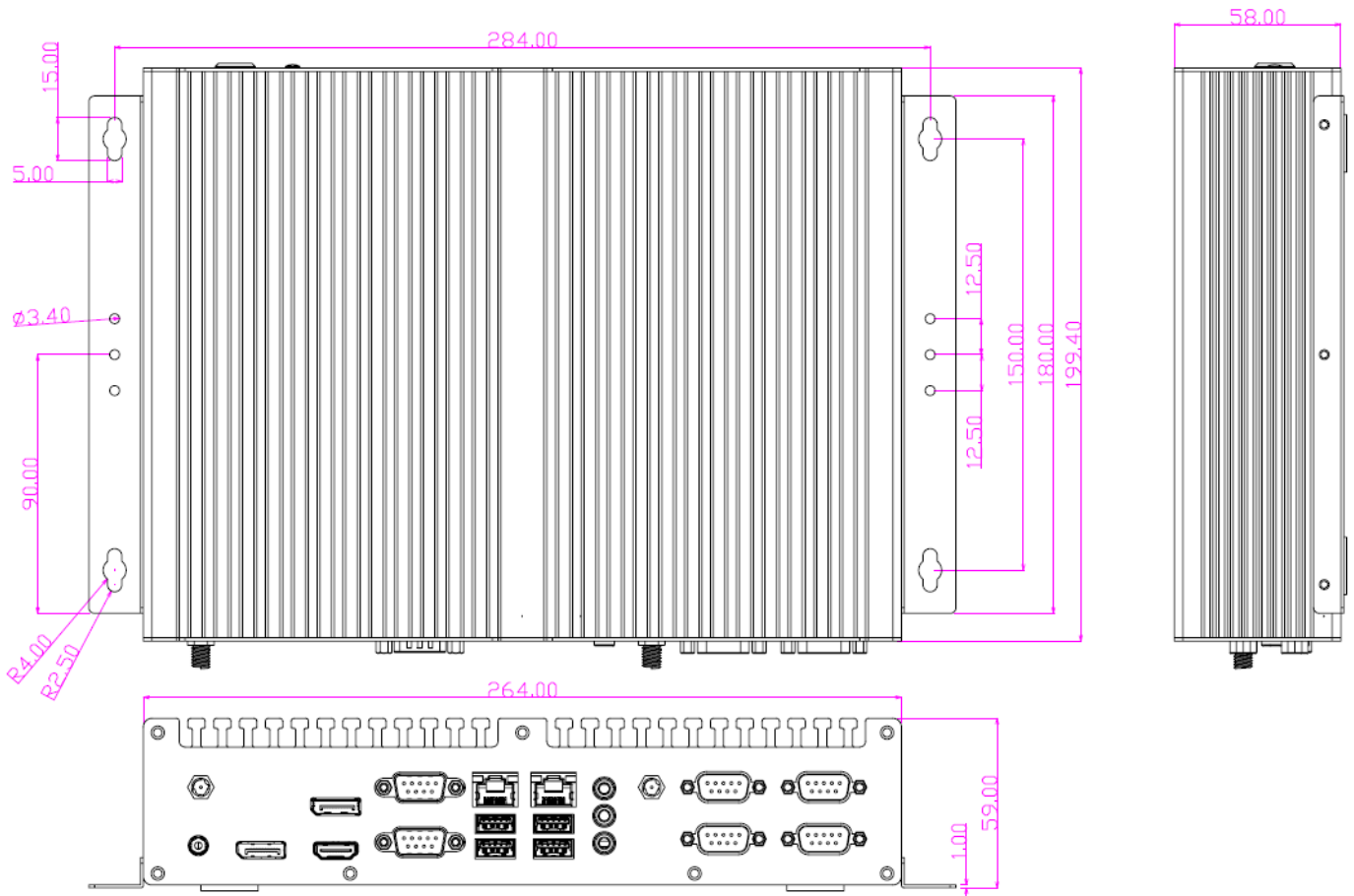
MB Model	<ul style="list-style-type: none"> ● JNF697-Q170 Series/ MINI-ITX
Part No	<ul style="list-style-type: none"> ● HBJC501F697-Q17-B (non-WIFI) / HBJC501F697Z-Q17B (WIFI) ● HBJC501F697-Q17T1 (TPM1.2, non-WIFI) / HBJC501F697Z-Q17T1 (TPM1.2, WIFI) ● HBJC501F697-Q17T2 (TPM2.0, non-WIFI) / HBJC501F697Z-Q17T2 (TPM2.0, WIFI)
BIOS	AMI 16MB SMT Flash ROM
CPU/Chipset	<ul style="list-style-type: none"> ● Intel® LGA 1151 Socket 6th & 7th generation Core I & Pentium CPU (TDP 35W) ● Intel® Q170 chipset <p>Notes: When the system runs, CPU will automatically adjust its working clock frequency according to changing workload.</p>
Memory	<ul style="list-style-type: none"> ● 2 * SO-DIMM slots / Dual channel DDR4-2133MHz up to 32GB total
Storage	<ul style="list-style-type: none"> ● 1 * 2.5" SATAIII 6Gb/s internal drive bay (only support 2.5" HDD with height ≤ 10mm)
Network	<ul style="list-style-type: none"> ● 2 * Intel GbE (i219LM, i211AT)
Rear Panel I/O	<ul style="list-style-type: none"> ● 4 * USB 3.0 ● 2 * RJ45 ● 1 * HDMI (Max Resolution : 4096x2160@24Hz) ● 2 * DP (Max Resolution : 4096 x 2304@60Hz) ● 1 * Line-in, Line-out, MIC ● 2 * COM (RS232/422/485), 4 * COM (RS232) ● 2 * Antenna holes (WIFI only) ● 1 * DC-In jack
Front Panel I/O	<ul style="list-style-type: none"> ● 1 * Power button, 1 * HDD LED ● 2 * USB 2.0
Power Source	<ul style="list-style-type: none"> ● 19V/6.3A 120W Adapter
Compliance	<ul style="list-style-type: none"> ● CE, FCC, LVD, RoHS, ErP Ready
Environment	<ul style="list-style-type: none"> ● Operating Temperature: -20 ~ 50 °C (The test environment is closed and windless) ● Storage Temperature: -10 ~ 70 °C ● Humidity: 10% ~ 90% RH @40°C (non-condensing)
Dimensions	<ul style="list-style-type: none"> ● 264 (W) x 199.4 (D) x 58 (H) mm
Packing	<ul style="list-style-type: none"> ● Net Weight: 4.2KG ● Gross Weight: 5KG ● Color Box dimension: 406 (W) * 148 (D) * 380 (H) mm
OS Support	<ul style="list-style-type: none"> ● Skylake CPU support Win7, Win8, Win10. ● Kabylake CPU only support Win10.
Warranty	<ul style="list-style-type: none"> ● 2 Years limited warranty

*Specifications subject to change without notice, not responsible for typographical errors. Does not include HDD or OS.

Part Number Rule



Mechanical Drawings (Unit = mm)



Standard Accessories

Parts Number	Description
-----	HBJC501F697 SERIES
L01AS056-F	Adapter 19V/6.32A 120W
Change according to shipping area	Power cord
HCS5XXMWM01B-F	JC5XX Wall mount / Black color
LCSCHBJC3XX-F	Screw pack
J05-ANT-GX57245-F	Antenna2G4/5G 2.8dBi GX572450001SM (WIFI MODEL only)
HCS3XXDINRAILPS-F	Din Rail Clip