

Intel® Coffee Lake-S Chip, Support LGA1151 CPU up to 35W, DDR4 up to 32GB, Support 12~24V DC-in

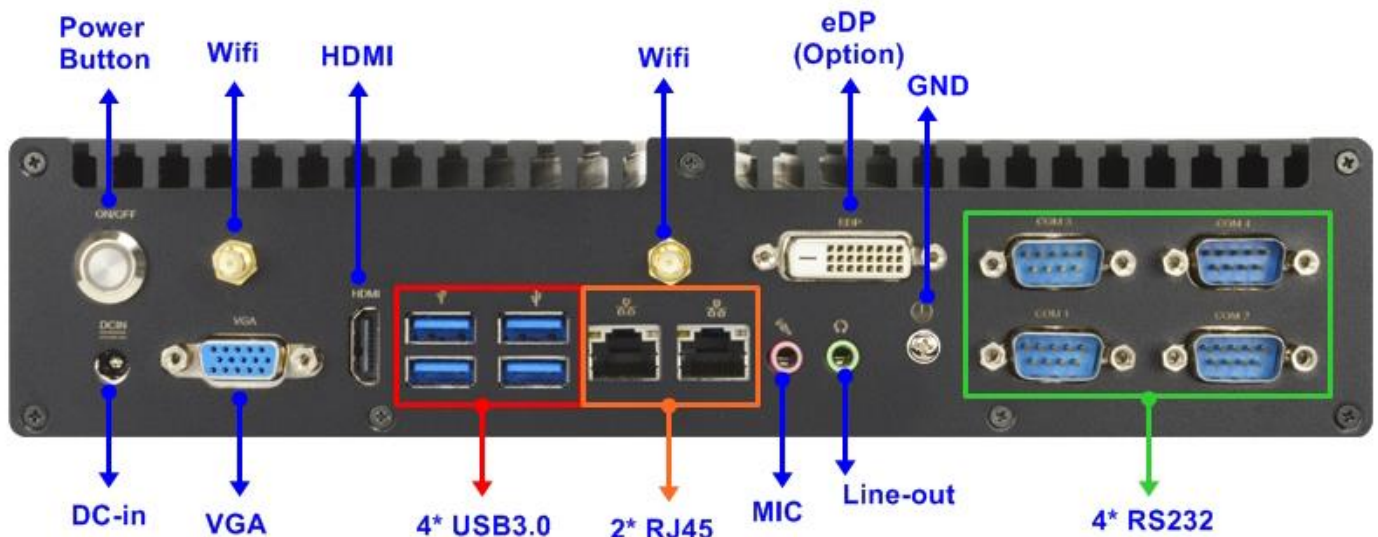
Features

1. Intel® LGA1151 Socket Core I3,I5,I7 Pentium Processor (Max. 35W)
2. Intel® Coffee Lake-S H310 Chip
3. Support Dual Channel DDR4 2133MHz up to 32GB
4. 1* Intel® I219-V Giga LAN + 1* Intel® i225-V 2.5G LAN
5. Support 1* SATA III (6Gb/s), 1* M.2 (M key 2242)
6. Support WIFI 2.4/5G+ BT/V4.1
7. 4* RS232 (COM1/2 Support 5V/12V TTL)
8. 4* USB3.0 Ports
9. Support HDMI/VGA /EDP (Option)
10. Support Fan less cooling design
11. DC 12~24V Input



intel. FC CE RoHS
COMPLIANT

Rear I/O



Specifications

Model

- HBJC501C8HV-H310
- HBJC501C8HVI-H310 (Wifi)

BIOS

AMI 128MB SMT Flash ROM

Network

- 1* Intel® I219-V GbE
- 1* Intel® I225-V 2.5GbE
- 1* WIFI2.4/5G + BTV4.1 (M.2 E key)

Storage

- 1* 2.5" SATA 6Gb/s internal drive bay (only support 2.5" HDD with a height ≤ 10mm)
- 1* M.2 (M-key 2242)

Rear Panel I/O

- 4* USB3.0
- 1* HDMI (Max. Resolution : 4096x2160@30Hz)
- 1* VGA (Max. Resolution: 1920x1200@60Hz)
- 1* eDP (Option, Max. Resolution: 4096x2304@60Hz)
- 2* RJ45
- 4* RS232
- 1* Line-out +MIC
- 1* DC Jack
- 1* Power Button

Internal Connector

NA

Compliance

CE, FCC, RoHS, ErP Ready (option)

Temperature

- Operating Temperature: -10 ~ 50° C
- Storage Temperature: -20 ~ 60° C
- Humidity: 10% ~ 90% RH @40°C (non-condensing)

OS Support

Windows 10, Linux

Warranty

2 Years limited warranty

* Specifications subject to change without notice, not responsible for typographical errors. Does not include HDD or OS.

CPU / Chipset

- Intel® LGA1151 Socket Core I3,I5,I7 Pentium Processor (TDP 35W)
- Intel® Coffee Lake-S H310 Chip

Memory

2* DDR4 2133MHz up to 32GB

Graphics

- 1* HDMI (Max. Resolution : 4096x2160@30Hz)
- 1* VGA (Max. Resolution: 1920x1080@60Hz)
- 1* eDP (Option, Max. Resolution: 4096x2304@60Hz)
- Support Dual Displays or Triple Displays with eDP

Expansion

1* PCIe x4 slot

Front Panel I/O

NA

Power Source

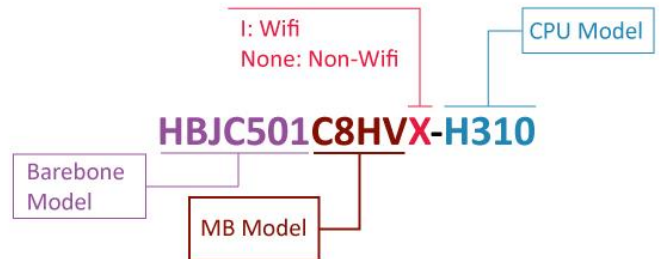
MB: DC 12~24V input

Adapter: AC_90~240V/ DC_19V / 120W

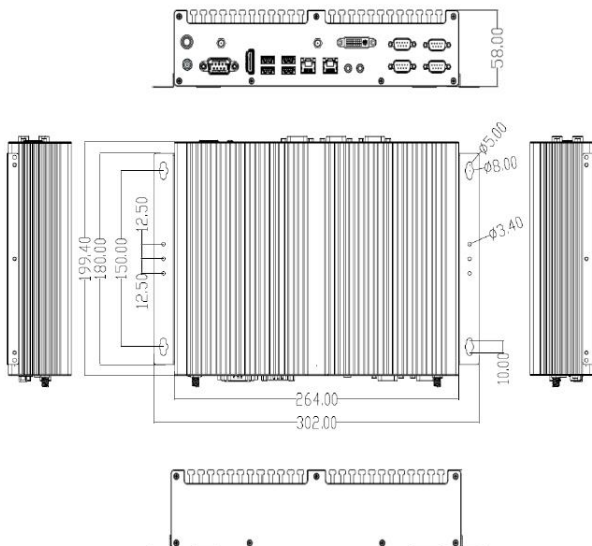
Dimensions

System: 264 (W) x 199.4 (D) x 58 (H) mm

Part Number Rules



Mechanical Drawings (Unit=mm)



Standard Accessories

Part Number	Description
-----	HBJC501C8HV-H310 Series
L01AS039-F	Adapter 19V/120W/6.32A
Change according to shipping area	Power cord
J05-ANT-GX57245-F	L-Antenna2G4/5G (Wifi only)
HCS5XXMWM01B-1F	JC5XX_Wall mount