



HBJC501C8H-H310

Intel® Coffee Lake-S Chip, Support LGA1151 CPU up to 35W, DDR4 up to 64GB, Support 12~24V DC-in

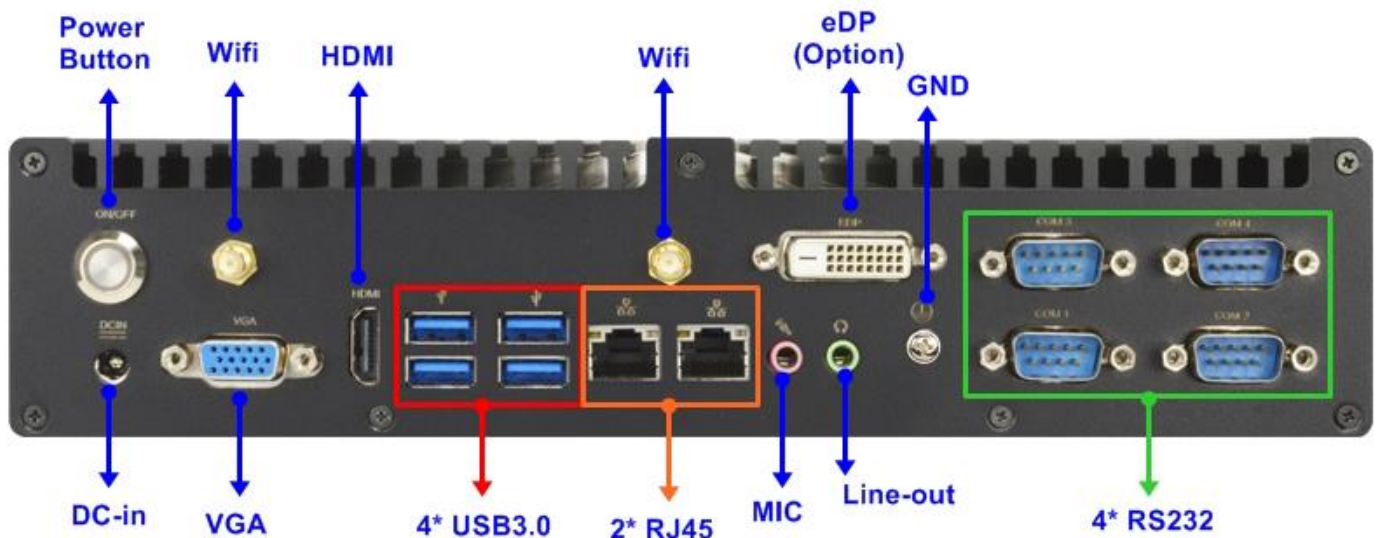


1. Intel® LGA1151 Socket Core I3,I5,I7 Pentium Processor (Max. 35W)
2. Intel® Coffee Lake-S H310 Chip
3. Support Dual Channel DDR4 2133MHz up to 64GB
4. 1* Intel® I219-V Giga LAN + 1* Intel® i211AT Giga LAN
5. Support 1* SATA III (6Gb/s) & M.2 (M key 2242)
6. 1* M.2 E key Support CNVi
7. 4* RS232 (COM1/2 Support 5V/12V TTL)
8. 4* USB3.0 Ports
9. Support HDMI/VGA /EDP (Option)
10. Support Fan less cooling design
11. DC 12~24V Input



External I/O

Rear

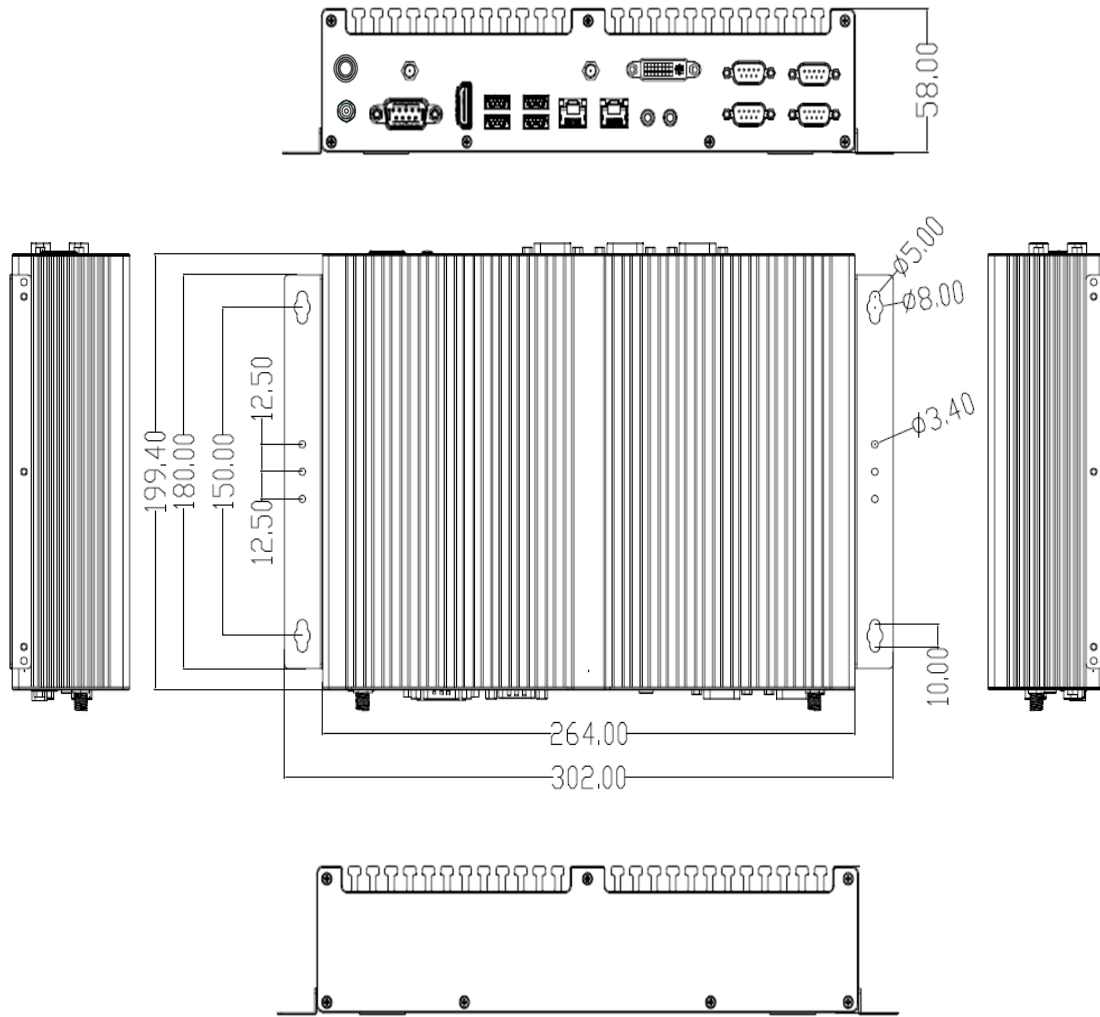


Specifications

MB Model	JNC8H-IH310 / Thin MINI ITX SBC
Part No	● HBJC501C8H-H310
BIOS	AMI 128MB SMT Flash ROM
CPU/Chipset	● Intel® LGA1151 Socket Core I3,I5,I7 Pentium Processor (Max. 35W) ● Intel® Coffee Lake-S H310 Chip
Memory	2 * DDR4 2133MHz up to 64GB
Storage	● 1 * 2.5" SATA 6Gb/s internal drive bay (only support 2.5" HDD with a hight ≤ 10mm) ● 1 * M.2 Socket (2242)
Network	● 2 * Intel® Gigabit LAN (I219-V, I211AT)
Rear I/O	● 4 * USB3.0 ● 1 * HDMI (Max. Resolution : 4096x2160@30Hz) ● 1 * VGA (Max. Resolution: 1920×1200@60Hz) ● 1 * eDP (Option, Max. Resolution: 4096×2304@60Hz) ● 2 * RJ45 ● 4 * RS232 ● 1 * Line-out +MIC ● 1 * DC Jack ● 1 * Power Button
Internal Connector	● 1 * M.2 M Key Socket for SSD ● 1 * M.2 E Key Socket for CNVi or PCI-E/USB WIFI/BT
Power Source	● DC 12~24V input
Compliance	CE, FCC, RoHS, ErP Ready (Option)
Temperature	Operating Temperature: -10 ~ 50 °C Storage Temperature: -20 ~ 60 °C
Dimensions	264.0(W) x 199.4 (D) x 58.0 (H) mm
OS Support	Windows 10, Linux
Warranty	2 Year limited warranty

*Specifications subject to change without notice, not responsible for typographical errors. Does not include HDD or OS.

Mechanical Drawings (Unit = mm)



Accessories

Parts Number	Description
-----	HBJC501C8H-H310
L01AS056-F	Adapter 19V/6.32A 120W
Change according to shipping area	Power cord
J05-ANT-GX57245-F	L- Antenna2G4/5G
HCS5XXMWM01B-1F	JC5XX_Wall mount