



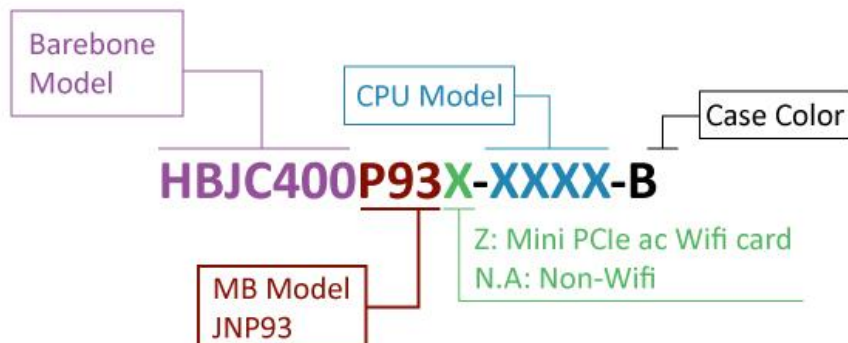
PICO Fanless Embedded System



Specifications:

■ Dimension	■ 129 (W) * 78.4 (D) * 34 (H) mm	
■ CPU/Chipset	■ Intel® Bay Trail-M N2807 ■ Intel® Bay Trail-M N2930 (Default)	
■ MB model	■ JNP93 Series / PICO-ITX SBC	
■ Part Number	Non-Wifi	Mini PCIe ac Wifi card
	- HBJC400P93-2807-B - HBJC400P93-2930-B (Default)	- HBJC400P93Z-2807-B - HBJC400P93Z-2930-B
■ Memory	■ On-board 2GB DDR3L 1333 MHz SDRAM	
■ Specs Devices	■ 1 * mSATA SSD (Only support mSATA)	
■ Front I/O Port	■ 1 * Power button ■ 1 * Power LED (blue)	
■ Rear I/O Port	■ 1 * GbE ■ 1 * 12V DC-in jack ■ 1 * HDMI (Max. Resolution: 1920 * 1200@60Hz) ■ 1 * USB3.0 ■ 1 * USB2.0	
■ Packing	■ Net Weight : 0.8KG ■ Gross Weight : 1.0KG ■ Color Box Dimension : 158(W) x 167(D) x 123.6(H) mm	
■ Environment	■ Operating Temperature : 0°C ~ 50°C ■ Storage Temperature : -10°C ~ 70°C	
■ Application	■ Networking Appliance, Set Top Box, Thin Client	
■ Warranty	■ 2 Years limited warranty	

Part No. Rule:

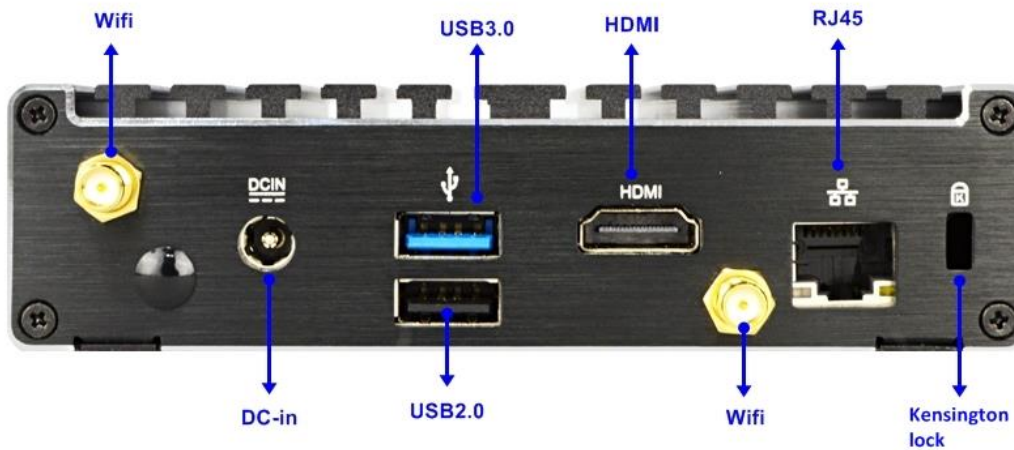


External I/O :

Front



Rear



Standard Accessory:

Parts Number	Description
-----	HBJC400P93 Series
L01AS050-F	Adapter 12V/40W
Change according to shipping area	Power cord
HCS310MWM01B-2F	JC3XX/4XX Wall+VESA mount
LCSCBJC3XX-F	Screw Pack
HNSCOMWFAWCB161HF	Mini PCIe ac Wifi card (Wifi only)