



Fanless Embedded System




HBJC38AF542 Series

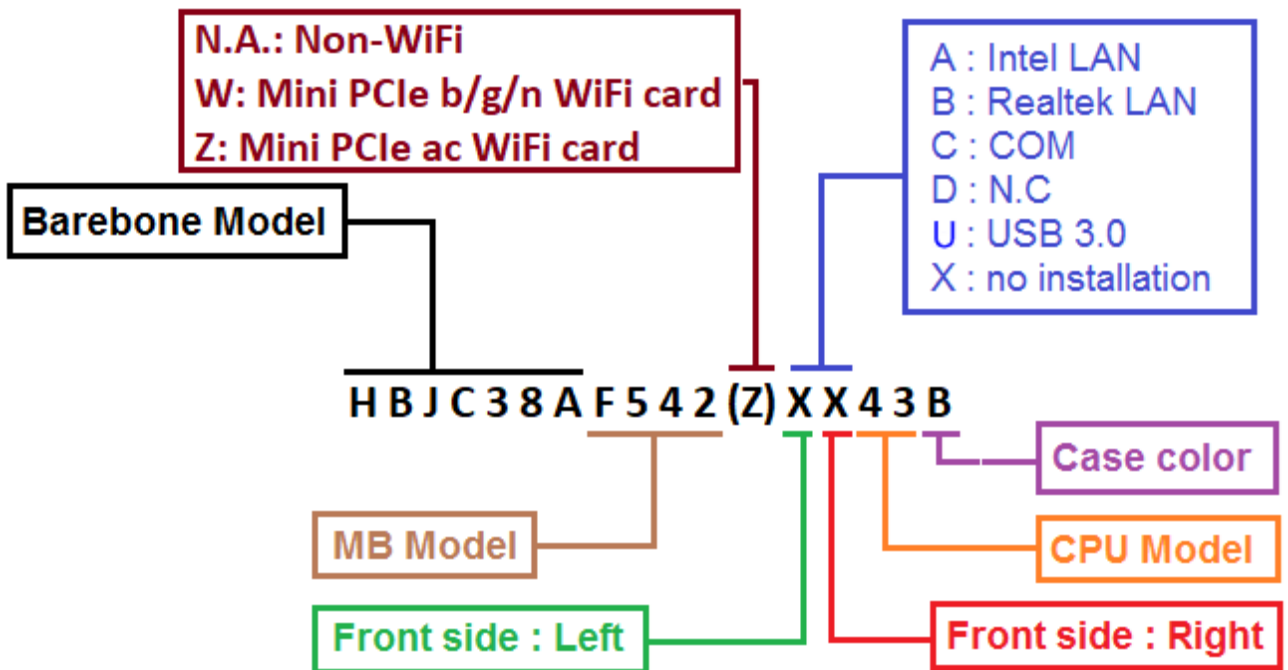


◎ Specifications :

■ Product Dimension	■ 185 (W) * 175 (D) * 60 (H) mm
■ Product Model	■ Please refer to the HBJC38AF542(Z) Series Product List
■ MB Model & Size	■ JNF542B-4300U
■ BIOS	■ AMI UEFI
■ CPU	■ INTEL® Haswell ULT i5-4300U
■ Memory	■ 2 * SO-DIMM (Dual Channel DDR3L 1600MHz), Max. 16GB
■ Storage	■ 2.5" SATA Device (SATA-22P) * 1 ■ mSATA SSD * 1
■ Colors	■ Black
■ SIM Card socket	■ 1
■ Front I/O Port	■ Power SW * 1 + Power LED * 1 ■ HDD LED * 1 ■ COM (By model) ■ Intel Giga LAN (By model)
■ Rear I/O Port	■ USB3.0 * 2, USB2.0 * 2 ■ DP * 1 (Max. Resolution: 3280x2000@60Hz) ■ HDMI * 1 (Max. Resolution: 3280x2000@60Hz) ■ Giga LAN * 2 ■ MIC * 1 , Line out * 1 ■ COM * 2 ■ DC-in Jack * 1 ■ Reset SW * 1 ■ WiFi Port * 2 (optional)
■ Power Source	■ AC 90~240V / 60W / DC-12V Adapter / Lock
■ Expansion Interface	■ 2 * Mini PCIe (Full-size) ■ 2 * Jetway expansion module (PCIEx4 & PCIEx1) slot

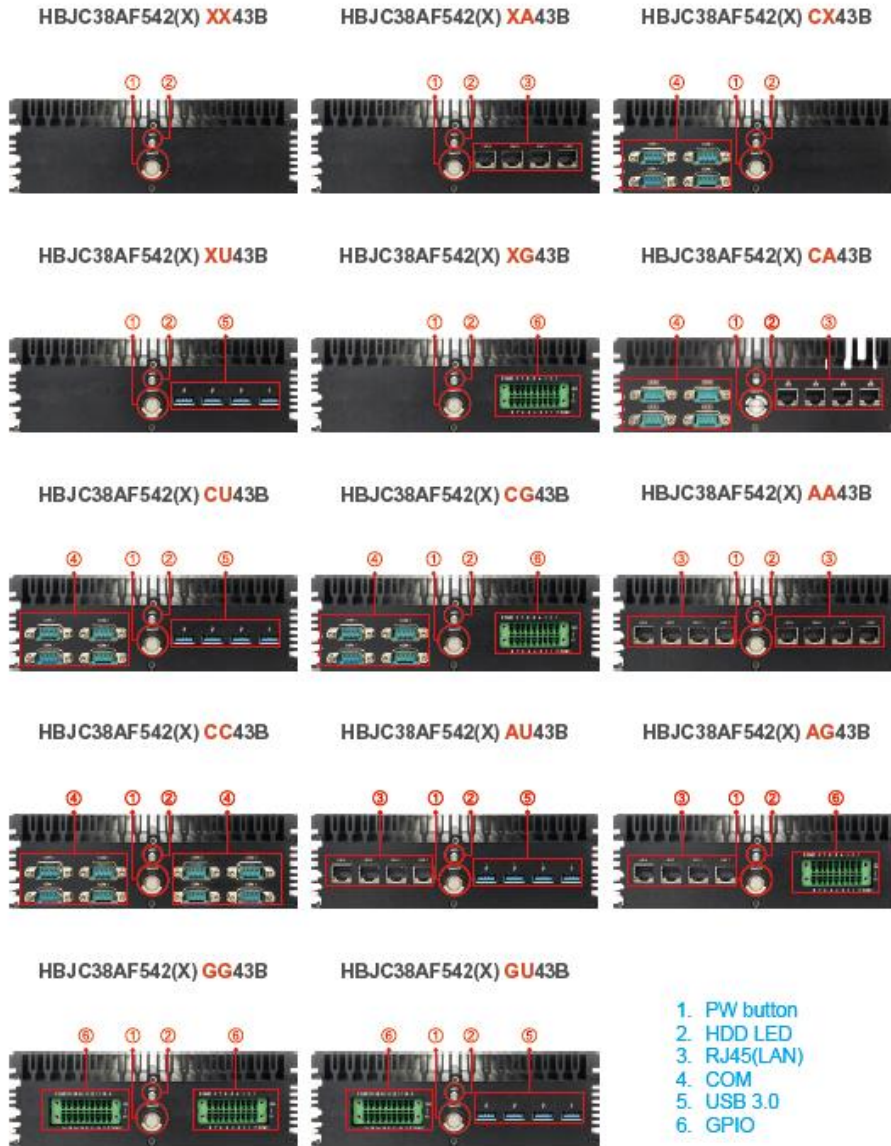
<ul style="list-style-type: none"> ■ Packing 	<ul style="list-style-type: none"> ■ Net Weight : 2.4KG ■ Gross Weight : 3.4KG ■ Color Box Dimension : 250 (W) x 118 (D) x 320 (H) mm 	
<ul style="list-style-type: none"> ■ Temperature 	<ul style="list-style-type: none"> ■ Operating within 0 ~ 60°C ■ Storage within -10 ~ 70°C 	
<ul style="list-style-type: none"> ■ Certification 	<ul style="list-style-type: none"> ■ EMC : CE , FCC ■ Safety : RoHS , ErP 	
<ul style="list-style-type: none"> ■ Applications 	<ul style="list-style-type: none"> ■ Industrial Control System ■ Networking Server System 	

◎ HBJC38AF542 Model code guide:

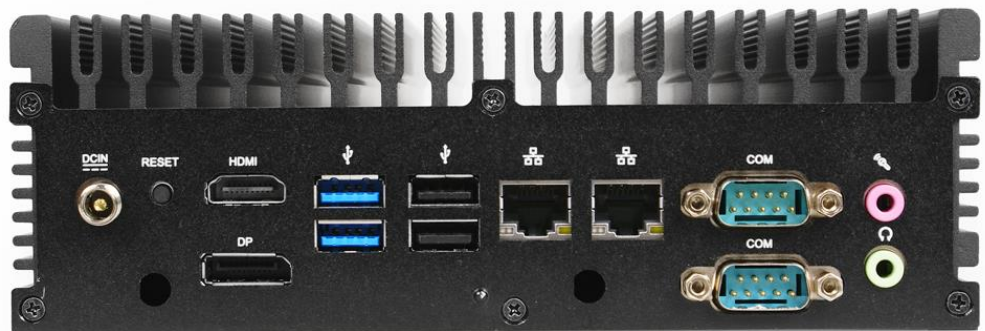


◎ External I/O :

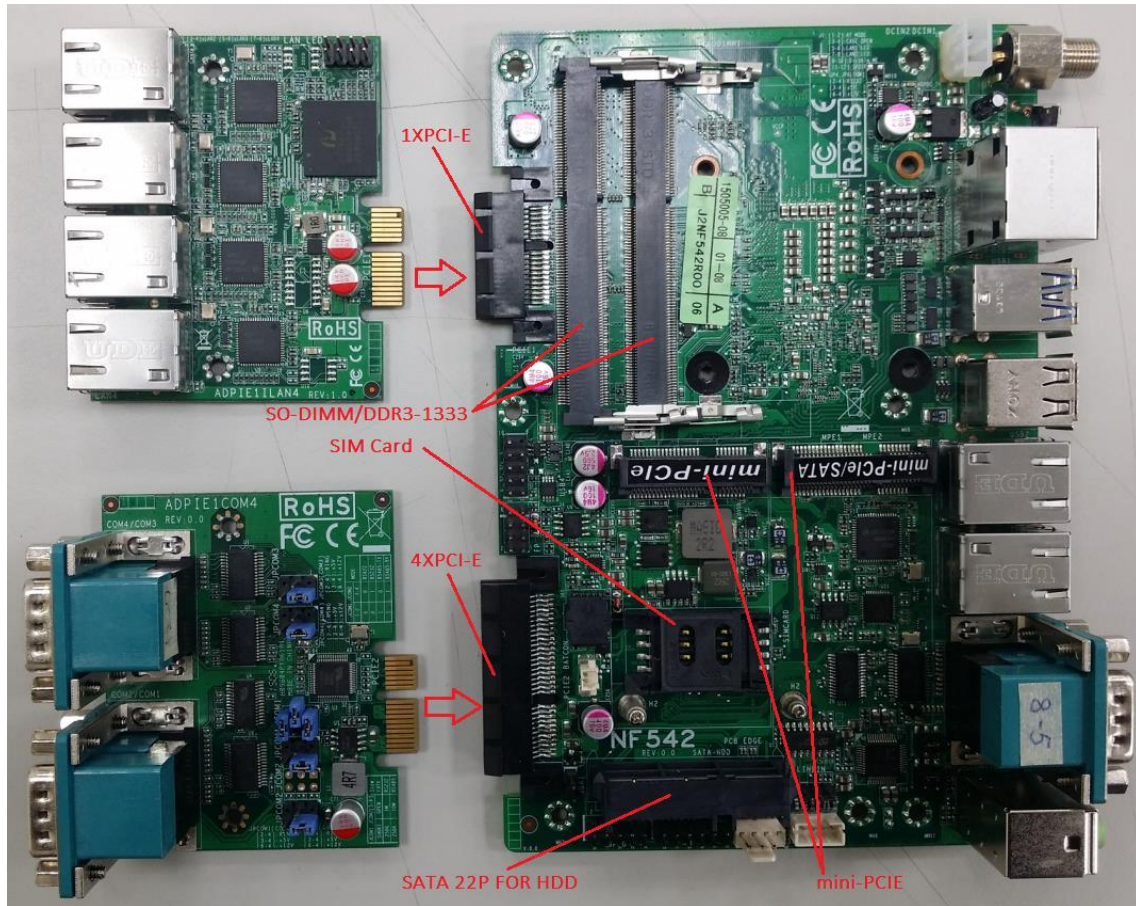
HBJC38AF542 Series Product List



Rear - IO



◎ Internal configuration :



◎ PCI-E Expansion Module:

PCI-E Expansion Module					
NO	Expansion Module	Quantity	JBC390F541 Front side IO metal	Quantity	Explanation
1	JADPIE1LAN4	1	N.C	0	INTEL LAN module (code : A)
2	JADPIE1COM4	1	N.C	0	COM module (code : C)
3	JADPIE1LAN4	2	8 ports LAN	1	INTEL LAN module (code : A)
4	JADPIE1COM4	2	8 ports COM	1	COM module (code : C)

◎ Packing List:

Parts Number	Description
---	HBJC38AF542(Z) Series
L01AS052-F	Lockable Adapter 12V/5A 60W
Change according to shipping area	Power cord
LCSCHBJC3XX-F	HBJC350&HBJC36X&HBJC37X Screw Pack
HCS370MWM01B-2-F	JC370 Wall mount
HCS3XXDINRAILPS-F	DIN RAIL CLIP
HNSCOMWFAWCB161HF	Mini PCIe ac WiFi card ((HBJC38AF542Z Series only)