

# HBJC382F632-7300N

Intel® Kaby Lake-U Processor, Support two DDR4 2133MHz up to 32GB

## Features

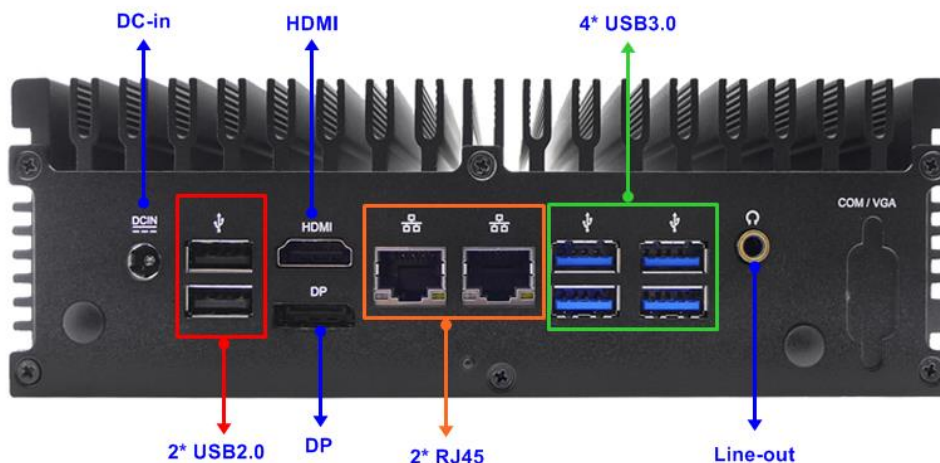
1. Intel® Kaby Lake-U Processor
2. Support 2\* SO-DIMM DDR4-2133 ,up to 32GB memory
3. 1\* Full size Mini-PCIe shared with mSATA, 1\* Half size Mini-PCIe, 1\* mSATA shared with full size Mini-PCIe
4. 4\* USB2.0, 4\* USB3.0, 1\* HDMI, 1\* DP, 2\* RJ45, 4\* COM (Max), 1\* MIC, 2\* Line-out
5. DC-12V\_60W Adapter
6. TPM 2.0 (option)



## Front I/O



## Rear I/O

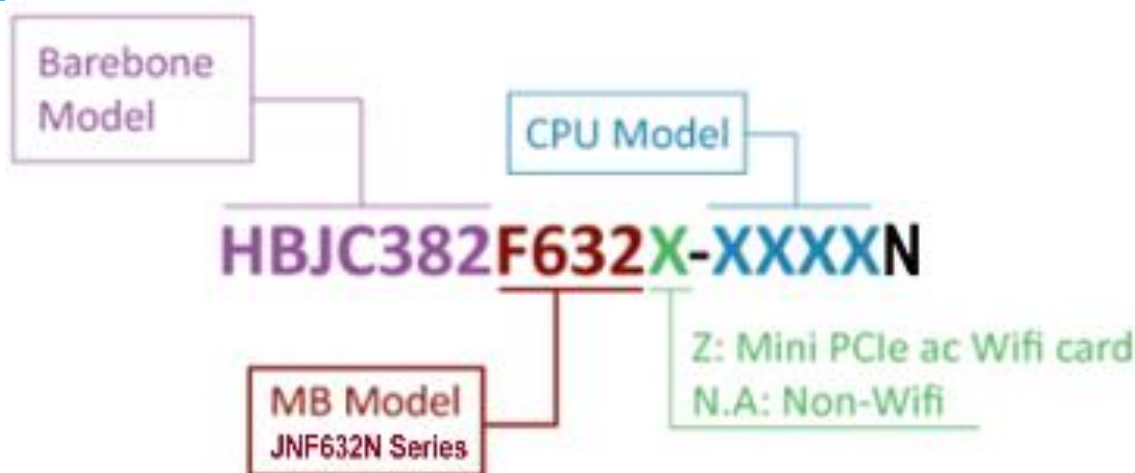


## Specifications

<b>Model</b>	<ul style="list-style-type: none"> <li>• HBJC382F632-7300N</li> <li>• HBJC382F632Z-7300N (Mini-PCIe ac WiFi card)</li> </ul>
<b>CPU / Chipset</b>	<ul style="list-style-type: none"> <li>• Intel® Kaby Lake-U Processor (i5-7300U, TDP 15W)</li> </ul>
<b>BIOS</b>	<ul style="list-style-type: none"> <li>• AMI Flash ROM</li> </ul>
<b>Memory</b>	<ul style="list-style-type: none"> <li>• 2* DDR4 2133MHz SO-DIMM up to 32GB</li> </ul>
<b>Network</b>	<ul style="list-style-type: none"> <li>• 1* Intel® i219-LM GbE</li> <li>• 1* Intel® i211-AT GbE</li> </ul>
<b>Graphics</b>	<ul style="list-style-type: none"> <li>• Intel® HD Graphics, shared memory</li> <li>• 1* DP 1.2 (Max Resolution: 4096x2304@60Hz)</li> <li>• 1* HDMI 1.4 (Max Resolution: 4096x2160@24Hz)</li> <li>• Support Dual Displays</li> </ul>
<b>Storage</b>	<ul style="list-style-type: none"> <li>• 1* mSATA (shared with full size Mini-PCIe)</li> <li>• 1* 2.5" SATAIII Device (support 2.5" HDD with a height ≤ 10mm)</li> </ul>
<b>Expansion</b>	<ul style="list-style-type: none"> <li>• 1* Mini-PCIe half size (for WiFi expansion)</li> <li>• 1* Mini-PCIe full size (shared with mSATA)</li> </ul>
<b>Rear Panel I/O</b>	<ul style="list-style-type: none"> <li>• 2* USB 2.0</li> <li>• 4* USB 3.0</li> <li>• 2* RJ45</li> <li>• 1* HDMI</li> <li>• 1* DP</li> <li>• 1* Line-out</li> <li>• 1* GPIO (optional)</li> <li>• 2* Antenna holes (optional)</li> <li>• 1* DC-in Jack</li> </ul>
<b>Front Panel I/O</b>	<ul style="list-style-type: none"> <li>• 2* USB 2.0</li> <li>• 4* COM (Max)</li> <li>• 1* Power LED</li> <li>• 1* HDD LED</li> <li>• 1* Line-out</li> <li>• 1* MIC</li> <li>• 1* Power button</li> <li>• 1* Reset button</li> </ul>
<b>Internal Connector</b>	<ul style="list-style-type: none"> <li>• NA.</li> </ul>
<b>Power Source</b>	<ul style="list-style-type: none"> <li>• Adapter : AC 90V~240V input / DC12V_60W output</li> <li>• MB : DC9V~24V input</li> </ul>
<b>Compliance</b>	<ul style="list-style-type: none"> <li>• CE, FCC, LVD, RoHS, ErP Ready</li> </ul>
<b>Dimensions</b>	<ul style="list-style-type: none"> <li>• System: 185 (W) x 142 (D) x 60 (H) mm</li> <li>• Box: 250 (W) x 118 (D) x 295 (H) mm</li> </ul>
<b>Temperature</b>	<ul style="list-style-type: none"> <li>• Operating Temperature: 0 ~ 50° C</li> <li>• Storage Temperature: -20 ~ 70° C</li> <li>• Humidity : Between 40% and 60%, non-condensing</li> </ul>
<b>OS Support</b>	<ul style="list-style-type: none"> <li>• Windows 10, Linux</li> </ul>
<b>Warranty</b>	<ul style="list-style-type: none"> <li>• 2 Years limited warranty</li> </ul>

\* Specifications subject to change without notice, not responsible for typographical errors. Does not include HDD or OS.

## Part Number Rules



## Standard Accessories

Part Number	Description
-----	HBJC382F632-7300N Series
L01AS053-F	Adapter 12V/60W
Change according to shipping area	Power cord
LCSCHBJC3XX-F	375 Screw Pack
HCS370MWM01B-2-F	JC370 Wall mount
HCS3XXDINRAILPS-F	DIN Rail Clip
G01-COM-H2M20-1F	COM Cable
HCS3XXVESAO1B-F	VESA (Optional)
HNSCOMWFAWCB161HF	Mini PCIe ac WiFi card (HBJC382F632Z-7300N Series only)

## Mechanical Drawings (Unit=mm)

