



# HBJC377F631 Series

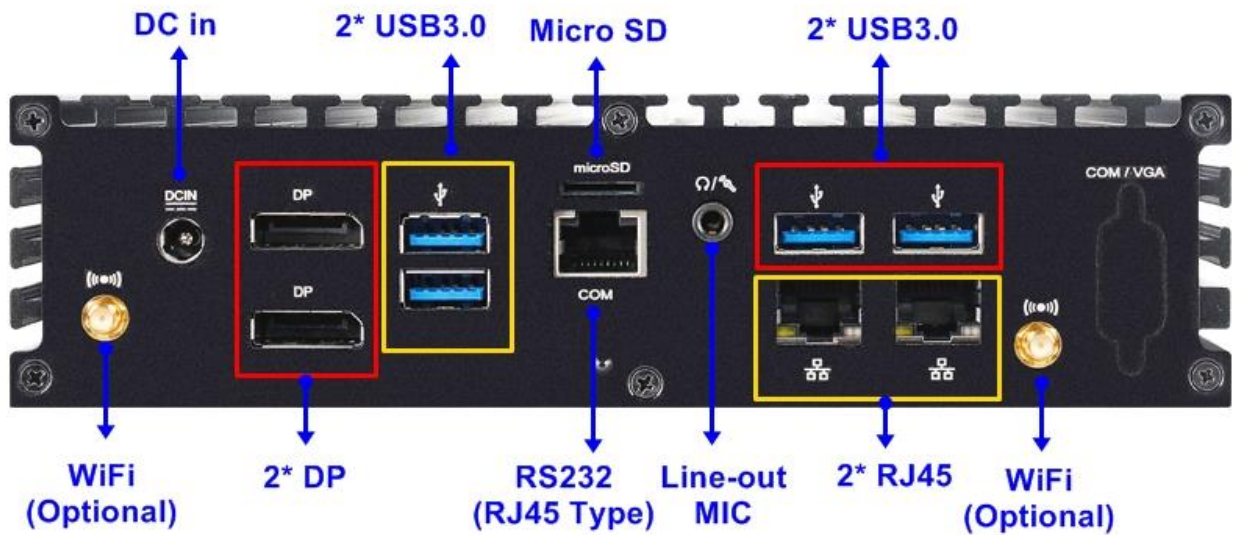


1. Intel® Apollo Lake SoC Processor
2. Support 1 \* DDR3L SO-DIMM up to 8GB memory
3. 2 \* USB2.0, 4 \* USB3.0, 2 \* DP, 2 \* RJ45, 1 \* Micro SD, 1 \* RS232 (RJ45 type)
4. DC 12V\_60W Adapter

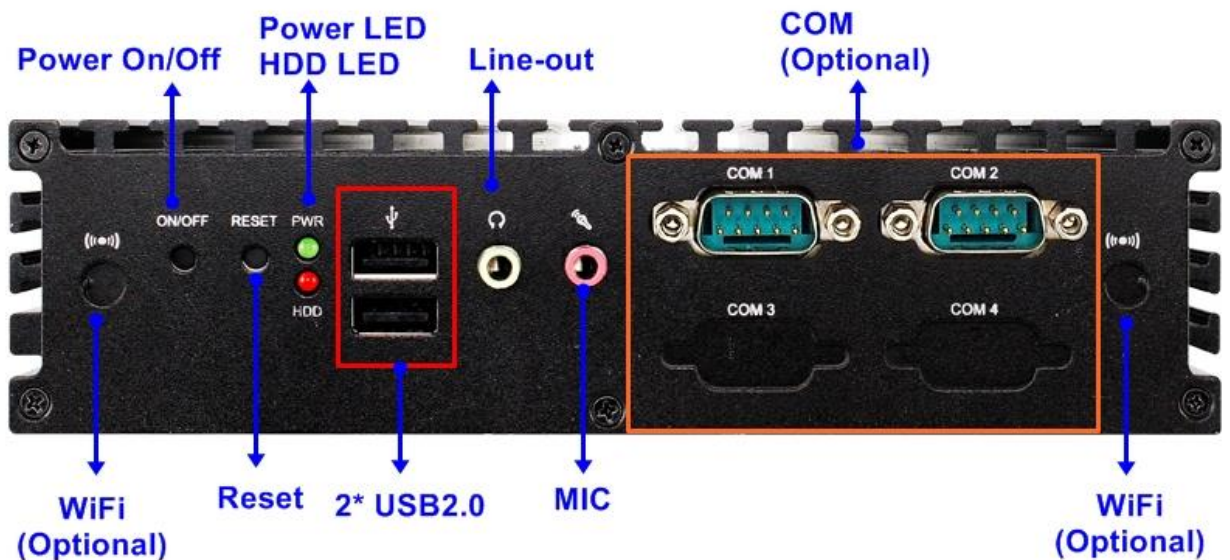


## External I/O

### Rear



### Front

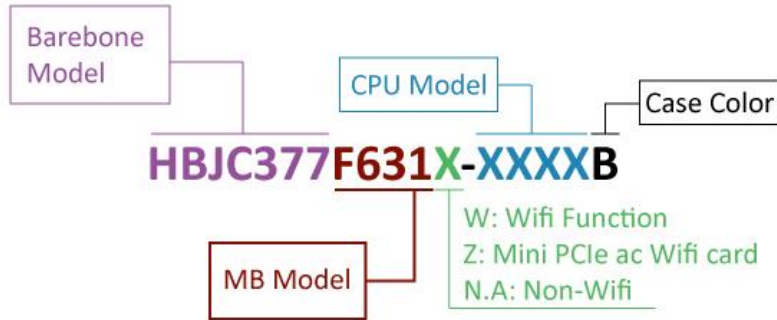


## Specifications

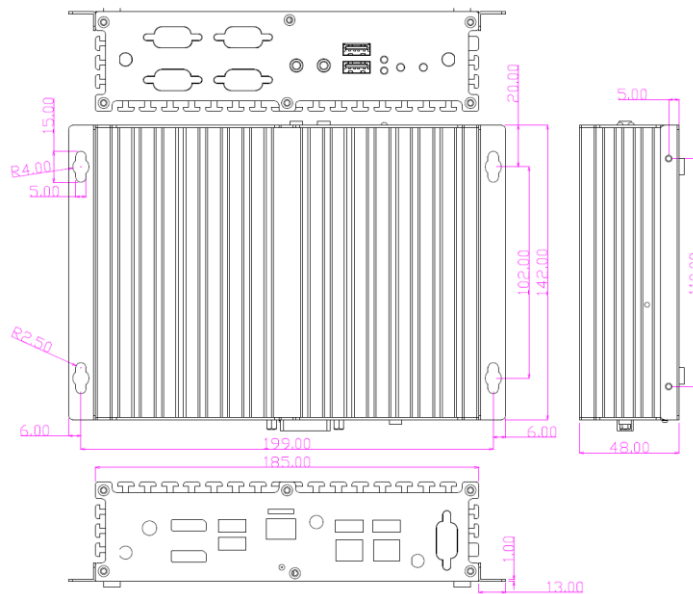
<b>M/B Model</b>	<ul style="list-style-type: none"> <li>● JNF631B-4200 / 3.5" SBC</li> <li>● JNF631B-3455 / 3.5" SBC (Default)</li> </ul>		
<b>Part No</b>	<b>Non-WiFi</b>	<b>Mini PCIe b/g/n WiFi</b>	<b>Mini PCIe ac WiFi card</b>
	<ul style="list-style-type: none"> <li>● HBJC377F631-3455B (Default)</li> <li>● HBJC377F631-4200B</li> </ul>	<ul style="list-style-type: none"> <li>● HBJC377F631W-3455B</li> <li>● HBJC377F631W-4200B</li> </ul>	<ul style="list-style-type: none"> <li>● HBJC377F631Z-3455B</li> <li>● HBJC377F631Z-4200B</li> </ul>
<b>CPU/Chipset</b>	<ul style="list-style-type: none"> <li>● Intel® Apollo lake SoC Processor</li> </ul>		
<b>Memory</b>	<ul style="list-style-type: none"> <li>● 1 * SO-DIMM slot DDR3L-1600MHz, up to 8GB</li> </ul>		
<b>Storage</b>	<ul style="list-style-type: none"> <li>● 1 * 2.5" SATAIII 6Gb/s internal drive bay (Max. Height 9.5 mm)</li> <li>● 1 * M.2 SSD Device (M-key, 2242)</li> <li>● 1 * Micro SD card slot</li> </ul>		
<b>Network</b>	<ul style="list-style-type: none"> <li>● 2 * Intel® i211AT GbE</li> <li>● 1* SIM Card slot</li> </ul>		
<b>Expansion slot</b>	<ul style="list-style-type: none"> <li>● 1 * full-size Mini PCIe slot (for WiFi expansion)</li> </ul>		
<b>Rear Panel I/O</b>	<ul style="list-style-type: none"> <li>● 4 * USB 3.0</li> <li>● 2 * DP (Max. resolution:4096 x 2160@60Hz)</li> <li>● 2 * RJ45</li> <li>● 1 * DC-in jack</li> <li>● 1 * RS232 (RJ45 type)</li> <li>● 1 * Micro SD</li> <li>● 1 * Audio (Line out + MIC)</li> </ul>		
<b>Front Panel I/O</b>	<ul style="list-style-type: none"> <li>● 1 * Power button , 1 * Reset button</li> <li>● 1 * Power LED , 1 * HDD LED</li> <li>● 2 * USB 2.0 ports</li> <li>● 1 * Line-out</li> <li>● 2 * COM</li> </ul>		
<b>Power Source</b>	<ul style="list-style-type: none"> <li>● DC Adapter / AC 90~240V input / DC12V-5A-60W / LV6</li> </ul>		
<b>Compliance</b>	<ul style="list-style-type: none"> <li>● CE, FCC, LVD, RoHS</li> </ul>		
<b>Safety</b>	<ul style="list-style-type: none"> <li>● Vibration test: N.C</li> <li>● Shock test: N.C</li> </ul>		
<b>Temperature</b>	<ul style="list-style-type: none"> <li>● Operating Temperature: 0~50° C</li> <li>● Storage Temperature: -10~70° C</li> </ul>		
<b>Dimensions</b>	<ul style="list-style-type: none"> <li>● 185 (W) x 142 (D) x 48 (H) mm</li> </ul>		
<b>Packing</b>	<ul style="list-style-type: none"> <li>● Net Weight: 1.4KG</li> <li>● Gross Weight: 2.4KG</li> <li>● Color Box dimension: 250 (W) * 118 (D) * 295 (H) mm</li> </ul>		
<b>OS Support</b>	Windows 10, Linux		
<b>Warranty</b>	2 Years limited warranty		

\*Specifications subject to change without notice, not responsible for typographical errors. Does not include HDD or OS.

## Part Number Rule



## Mechanical Drawings (Unit = mm)



## Accessories

Parts Number	Description
	HBJC377F631 Series
L01AS053-F	Adapter 12V/5A 60W
Change according to shipping area	Power cord
LCSC HBJC3XX-F	Screw pack
HCS370MWM01B-2-F	Wall mount Kit
HCS3XXDINRAILPS-F	DIN Rail Clip
J05-ANT-GX57245-F	Antenna 2.4G/5G -2.8dBi GX572450001SM (WiFi model only)
HNSCOMWFAWCB161HF	Mini PCIe ac Wifi card (HBJC377F631Z series only)