

HBJC377F631-345R Series

Intel® Apollo Lake SoC processor, DDR3L up to 8GB, 2* DP, 12V DC-in

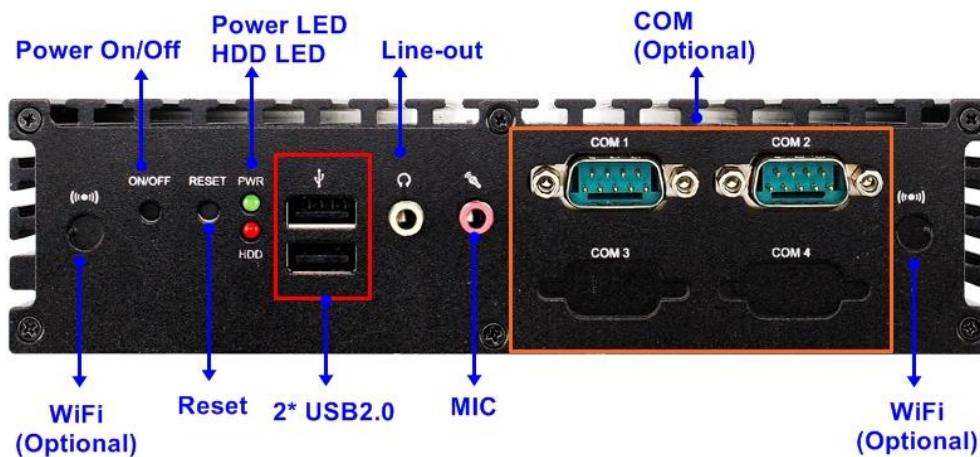
Features

1. Intel® Apollo Lake SoC Processor (Default: J3455)
2. Supports 1* DDR3L-1866MHz SO-DIMM up to 8GB
3. 2* USB2.0, 4* USB3.0, 2* DP, 2* RJ45, Micro SD slot, 1* RS232 (RJ45 Type)
4. DC 12V_60W Adapter

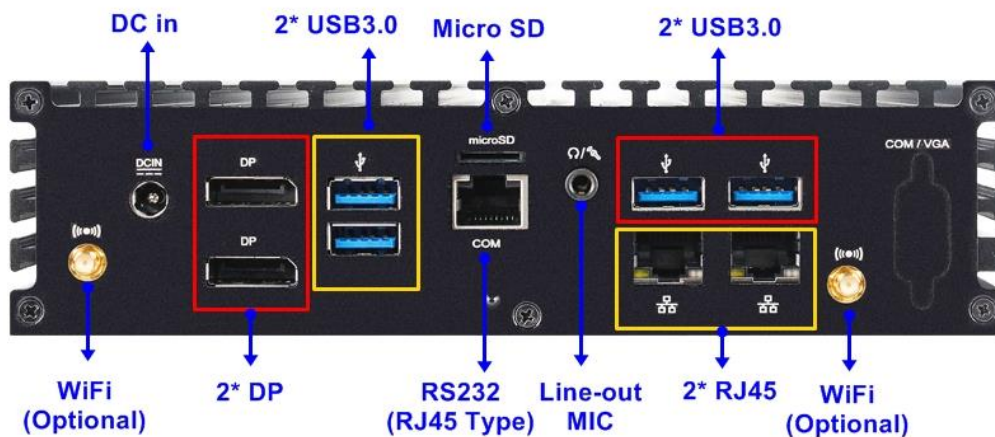


intel. FC CE RoHS COMPLIANT

Front I/O



Rear I/O



Specifications

Model

- HBJC377F631-345R (CPU: J3455)
- HBJC377F631Z-345R (CPU: J3455, Wifi)

BIOS

AMI Flash ROM

Network

2* Realtek RTL8119I GbE

Storage

- 1* M.2 SSD Device (M-key, 2242)
- 1* 2.5" SATAIII 6Gb/s internal drive bay (Max. Height 9.5 mm)
- Micro SD card slot

Rear Panel I/O

- 4* USB 3.0
- 2 * DP
- 2* RJ45
- 1* DC-in jack
- 1* RS232 (RJ45 type)
- 1* Micro SD
- 1* Audio (Line out + MIC)

Internal Connector

1* SIM Card slot

Compliance

CE, FCC, LVD RoHS Ready

Temperature

- Operating Temperature: 0 ~ 50° C
- Storage Temperature: -10 ~ 70° C
- Humidity : Between 10% and 90% @40° C, non-condensing

OS Support

Win10, Linux.

Warranty

2 Years limited warranty

* Specifications subject to change without notice, not responsible for typographical errors. Does not include HDD or OS.

CPU / Chipset

Intel® Apollo Lake J3455 SoC Processor (TDP 10W)

Memory

1* DDR3L 1866MHz SO-DIMM up to 8GB

Graphics

- Intel® HD Graphics, shared memory
- 2* DP (Max. Resolution: 4096*1260@60Hz)
- Support Dual Display

Expansion

- 1* Mini-PCIe full size

Front Panel I/O

- 1* Power button
- 1* Reset button
- 1* Power LED
- 1* HDD LED
- 1* USB 2.0
- 1* Line-out
- 2* COM (optional)

Power Source

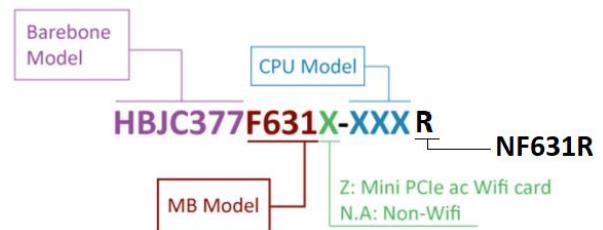
- JNF631R MB : DC-in 12V
- Adapter : AC_90~240V / DC_12V / 60W

Dimensions

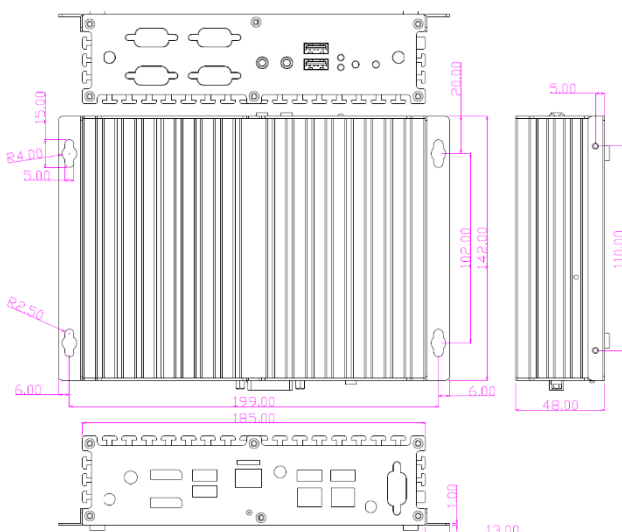
System: 185 (W) x 142 (D) x 48 (H) mm

Box: 250 (W) x 118 (D) x 295 (H) mm

Part Number Rules



Mechanical Drawings (Unit=mm)



Standard Accessories

Part Number	Description
-----	HBJC377F631-345R Series
L01AS053-F	Adapter 12V/5A 60W
Change according to shipping area	Power cord
LCSCBJC3XX-F	Screw pack
HCS370MWM01B-2-F	Wall mount Kit
HCS3XXDINRAILPS-F	DIN Rail Clip
J05-ANT-GX57245-F	Antenna2.4G/5G -2.8dBi
	GX572450001SM (WiFi model only)
HNSCOMWFAWCB161HF	Mini PCIe ac Wifi card (WiFi model only)