



HBJC375F532-2930-B Series

Fanless Embedded System

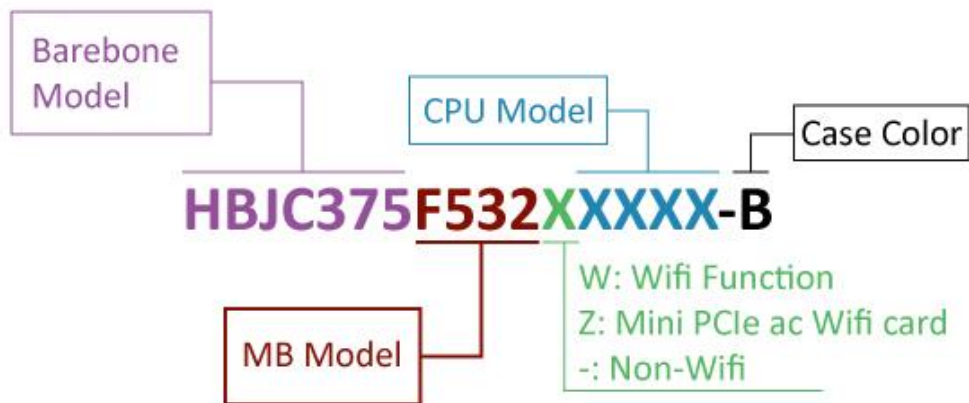


Specifications:

■ Dimension (W*H*D)	■ 185 * 48 * 142 mm		
■ Construction	■ Aluminum housing		
■ Colors	■ Black		
■ M/B model	■ JNF532B-2930 (3.5" SBC)		
■ Part No.	■ Non-Wifi	■ Mini PCIe b/g/n Wifi	■ Mini PCIe ac Wifi card
	HBJC375F532-2930-B (Default)	HBJC375F532W2930-B	HBJC375F532Z2930-B
■ CPU	■ INTEL® Bay Trail-M N2930 SoC Processor (1.83GHz)		
■ BIOS	■ AMI UEFI		
■ Memory	■ Support 1 * DDR3L 1333MHz SO-DIMM slot (Max. 8GB)		
■ Storage Space	■ Support 1 * 2.5" SATA Drive bay (Max. Height 9.5 mm)		
	■ Support 1 * mSATA SSD Device (full size Mini PCIe slot)		
■ Display Interface	■ 1 * DVI-D		
	■ 1 * VGA (Internal pin header)		
■ Network	■ 2 * Realtek RTL8111G GbE		
	■ 1 * SIM card slot		
■ Audio	■ 1 * Line-out		
	■ 1 * MIC		
■ Front I/O Port	■ 2 * USB 2.0		
	■ 4 * COM (2* installed, 2* included in accessories)		
■ Rear I/O Port	■ 3 * USB 2.0		
	■ 1 * USB 3.0		
	■ 2 * RJ45		
	■ 1 * DVI-D (Max. Resolution: 1920 * 1200@60Hz)		
	■ 1 * VGA (Max. Resolution: 1920 * 1080@60Hz)		
■ Expansion Interface	■ 1 * half-size Mini PCI-E (for Mini PCIe WiFi module)		
	■ 1 * full-size Mini PCIe (for mSATA SSD)		
■ Power Source	■ 9~24V DC-in jack		

	<ul style="list-style-type: none"> ■ Adapter : AC_90~240V / DC_12V_5A / 60W
■ Certification	<ul style="list-style-type: none"> ■ EMC : CE , FCC ■ Safety : RoHS , ErP
■ Environment	<ul style="list-style-type: none"> ■ Operating Temperature : 0 ~ 50°C ■ Storage Temperature : -10 ~ 70°C ■ Vibration During Operation : N/A ■ Shock During Operation : N/A
■ Mounting	<ul style="list-style-type: none"> ■ Wall mounting Kits
■ Packing	<ul style="list-style-type: none"> ■ Net Weight : 1.4KG ■ Gross Weight : 2.7KG ■ Color Box Dimension : 250(W) x 118 (D) x 295 (H) mm
■ Warranty	<ul style="list-style-type: none"> ■ 2 Years limited warranty

Part Number Rule :



External I/O :

Front



Rear



Standard Accessories :

Parts Number	Description
-----	HBJC375F532 Series
L01AS053-F	Adapter 12V/5A 60W
Change according to shipping area	Power cord
LCSCHBJC3XX-F	375 Screw Pack
HCS370MWM01B-2-F	JC370 Wall mount
HCS3XXDINRAILPS-F	DIN Rail Clip
HNSCOMWFAWCB161HF	Mini PCIe ac Wifi card (HBJC375F532Z2930-B only)