



HBJC375F3A Series



Fanless Embedded System

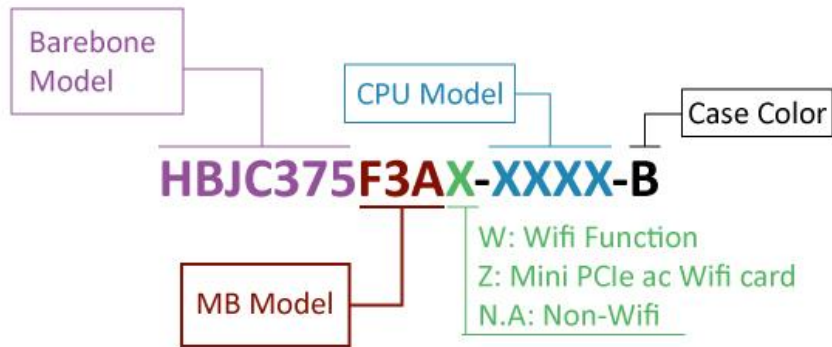


Specifications:

■ Dimension (W*H*D)	■ 180 * 48 * 142 mm		
■ Construction	■ Aluminum housing		
■ Colors	■ Black		
■ M/B model	■ JNF3AB Series (3.5" SBC)		
■ Part No.	Non-Wifi	Mini PCIe b/g/n Wifi	Mini PCIe ac Wifi card
	- HBJC375F3A-2807-B	- HBJC375F3AW-2807-B	- HBJC375F3AZ-2807-B
	- HBJC375F3A-2930-B (Default)	- HBJC375F3AW-2930-B	- HBJC375F3AZ-2930-B
■ CPU	■ Intel® Bay Trail SoC Processor, Default: N2930		
■ BIOS	■ AMI UEFI		
■ Memory	■ Support 1 * 204-pin DDR3L-1333MHz SO-DIMM up to 8GB (1.35V required)		
■ Storage Space	■ Support 1 * 2.5" SATAIII 3Gb/s drive bay for HDD or SSD (only support 2.5" size with a height ≤ 10mm)		
	■ Support 1 * Shared mSATA/Mini-PCIe Combo slot (full-size)		
■ Display Interface	■ 1 * DVI-I (Max. Resolution: 1920 * 1200@60Hz)		
	■ 1 * 24-bits LVDS (Internal pin header)		
■ Network	■ 2 * Realtek RTL8111G GbE		
■ Audio	■ 2 * Line-out		
	■ 1 * MIC		
■ Front I/O Port	■ 1 * Power Button		
	■ 1 * Reset Button		
	■ 2 * USB 2.0 ports		
	■ 1 * Line-out		
	■ 1 * MIC		
	■ 4 * RS232 Serial Ports (2 * installed & 2 * cables included in accessory box)		
	■ 2 * WiFi Antenna holes		
■ Rear I/O Port	■ 1 * USB 3.0 ports		
	■ 3 * USB 2.0 ports		
	■ 2 * RJ45 ports		
	■ 1 * DVI-I port		

	<ul style="list-style-type: none"> ■ 2 * SMA Connector for WiFi Antenna (WiFi model only) ■ 1 * Line-out jack ■ 1 * Kensington Lock hole ■ 1 * DC jack
■ Expansion Interface	<ul style="list-style-type: none"> ■ Mini PCIe # 1 : half-size ■ Mini PCIe # 2 : full-size
■ Power Source	<ul style="list-style-type: none"> ■ 9~24V DC-in jack ■ Adapter : AC_90~240V / DC_12V_5A / 60W
■ Certification	<ul style="list-style-type: none"> ■ EMC : CE , FCC ■ Safety : RoHS , ErP
■ Environment	<ul style="list-style-type: none"> ■ Operating Temperature : 0 ~50°C ■ Storage Temperature : -10 ~ 70°C ■ Vibration During Operation : N/A ■ Shock During Operation : N/A
■ Mounting	<ul style="list-style-type: none"> ■ Wall mounting Kits
■ Packing	<ul style="list-style-type: none"> ■ Net Weight : 1.9KG ■ Gross Weight : 2.2KG ■ Color Box Dimension : 250(W) x 118(D) x 295(H) mm
■ Warranty	<ul style="list-style-type: none"> ■ 2 Years limited warranty

Part Number Rule :



External I/O :

Front



Rear



Standard Accessories :

Parts Number	Description
— — —	HBJC375F3A Series
L01AS053-F	Adapter 12V/5A 60W
Change according to shipping area	Power cord
G01-DVI-VGA-W-F	DVI-VGA Dongle
LCSCHBJC3XX-F	375 Screw pack
G01-COM-H2M20-1F	RS232_COM cable L=200mm
HCS370MWM01B-2-F	JC370 Wall mount
HCS3XXDINRAILPS-F	DIN Rail Clip
HNSCOMWFAWCB161HF	Mini PCIe ac Wifi card (HBJC375F3AZ-2807-B / HBJC375F3AZ-2930-B only)