



HBJC366F832 Series

Intel® Apollo Lake Processor, 2* HDMI, 4* USB3.0, 1* RJ45, 1* SIM Card Slot

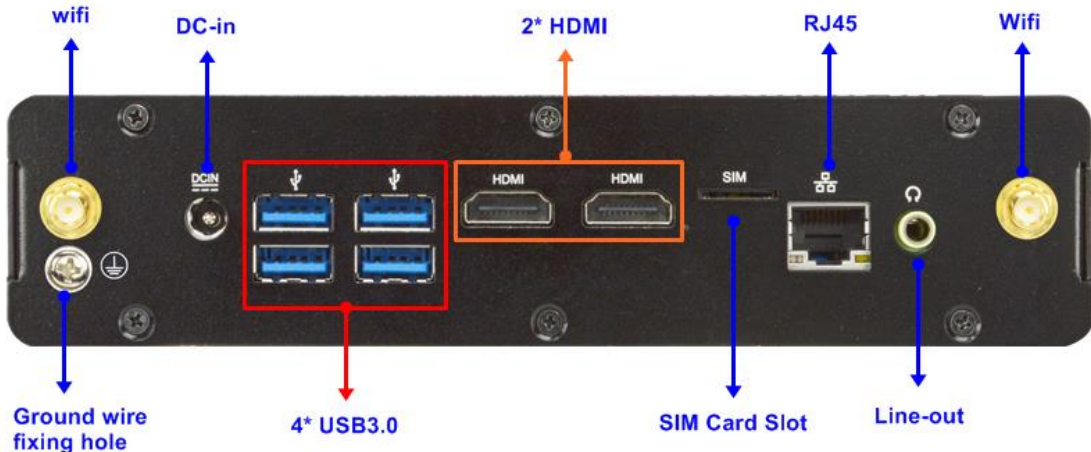


1. Intel® Apollo Lake SoC Processor
2. 1 * DDR3L 1866MHz SO-DIMM, up to 8GB
3. 2 * HDMI, 4 * USB3.0, 1 * RJ45, 1 * SIM Slot, 1 * Line out
4. 1 * Full size Mini PCIe & 1 * M.2 (M-key, 2242/2280) & 1 * M.2 (E-key, 2230)
5. M/B Form Factor : 3.5" SBC(148x102mm)
6. DC-12V_60W Adapter



External I/O

Rear



Front

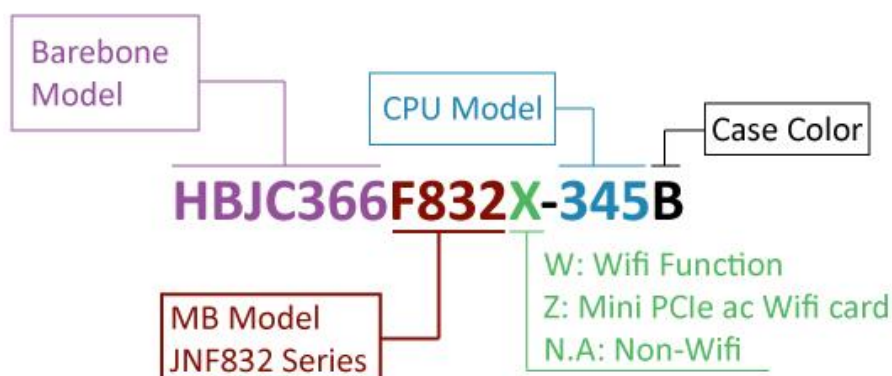


Specifications

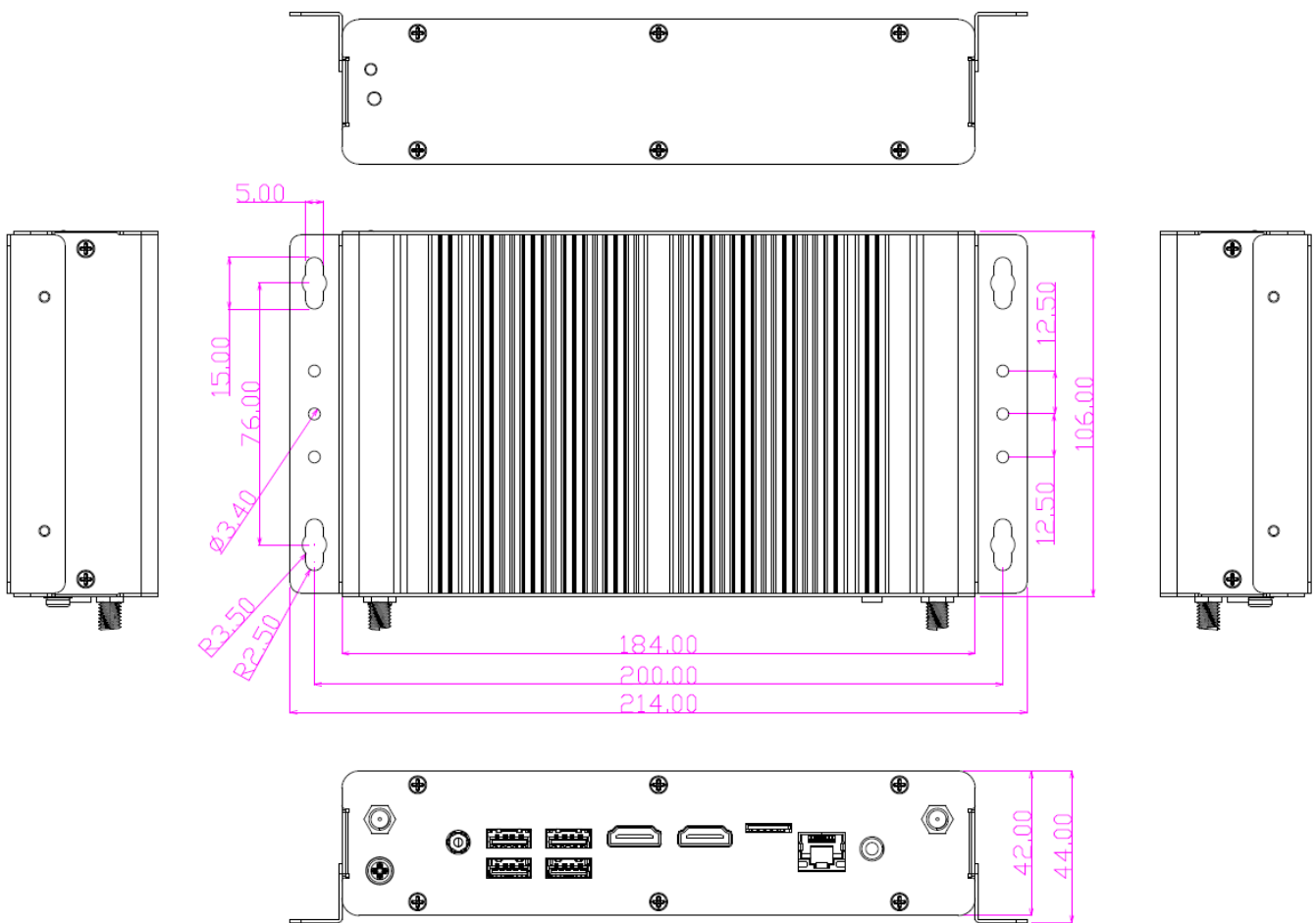
MB Model	JNF832B Series / 3.5" SBC		
Part No	Non-Wifi	Mini PCIe b/g/n Wifi	Mini PCIe ac Wifi card
	HBJC366F832-345B (Default)	HBJC366F832W-345B	HBJC366F832Z-345B
BIOS	AMI Flash ROM		
CPU/Chipset	Intel® Apollo Lake SoC Processor		
Memory	1 * DDR3L 1866MHz SDRAM SO-DIMM up to 8GB		
Storage	<ul style="list-style-type: none"> 1 * 2.5" SATAIII 6Gb/s internal drive bay (only support 2.5" HDD with a height ≤ 10mm) 1 * M.2 (M-key, 2242/2280) for SSD 		
Network	<ul style="list-style-type: none"> 1 * Realtek RTL8111H GbE 1 * Full-size mini-PCIe slot (Expandable WIFI module) 1 * M.2 (E-key 2230) PCIe slot (Expandable WIFI module) 		
Rear Panel I/O	<ul style="list-style-type: none"> 4 * USB 3.0 2 * HDMI 1.4b (Max. Resolution: 3840 x 2160@30Hz) 1 * RJ45, 1 * Line-out 1 * Micro-SIM Card slot 		
Front Panel I/O	1 * Power button, 1 * Power LED		
Power Source	AC-DC Adapter / AC 90~240V / DC12V-5A-60W		
Compliance	CE, FCC, RoHS, ErP Ready		
Temperature	Operating Temperature: 0 ~ 50 °C Storage Temperature: -20 ~ 70 °C		
Dimensions	184 (W) x 106 (D) x 42 (H) mm		
Packing	<ul style="list-style-type: none"> Net Weight: 1.4KG Gross Weight: 2.4 KG Color Box dimension: 265 (W) * 200 (D) * 100 (H) mm 		
OS Support	Windows 10, Linux		
Warranty	2 Year limited warranty		

* Specifications subject to change without notice, not responsible for typographical errors. Does not include HDD or OS.

Product coding principle



Product size chart



Accessories

Parts Number	Description
-----	HBJC366F832 Series
L01AS053-F	Adapter 12V 5A 60W
Change according to shipping area	Power cord
LCSCHBJC3XX-F	Screw Pack
HCS366MWM01B-F	Wall Mount
J05-ANT-AN2400-F	Antenna2G4-2dBi R-AN2400-5701RS (WIFI only)
HNSCOMWFAWCB161HF	Mini PCIe ac Wifi card (HBJC366F832Z-345B only)