



HBJC330U95-10210

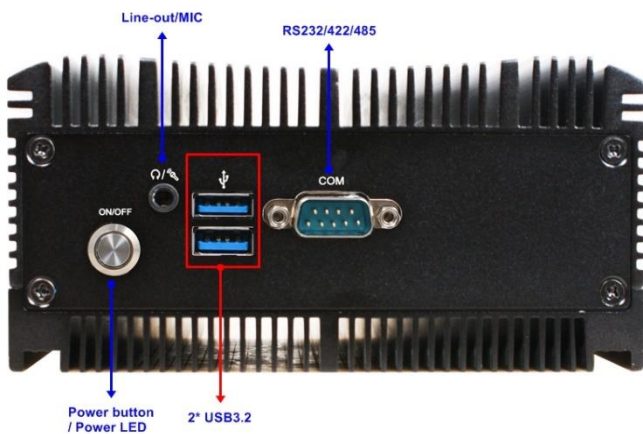
Intel® Comet Lake i5-10210U 1.6G/QC, DDR4 2666MHz up to 64GB, 12~24V DC-in

1. Intel® Comet Lake i5-10210U 1.6G QC Processor
2. Support Dual Channel DDR4 2666MHz up to 64GB
3. 1* Intel® I219LM GbE, 1* Intel® I211AT GbE
4. 1* M.2 (M-key, SATA interface), 1* M.2 (E-key, support CNVi)
5. 1* RS232/RS422/485, 4* USB3.2
6. Support 1* DP, 2* HDMI
7. 12~24V DC-in

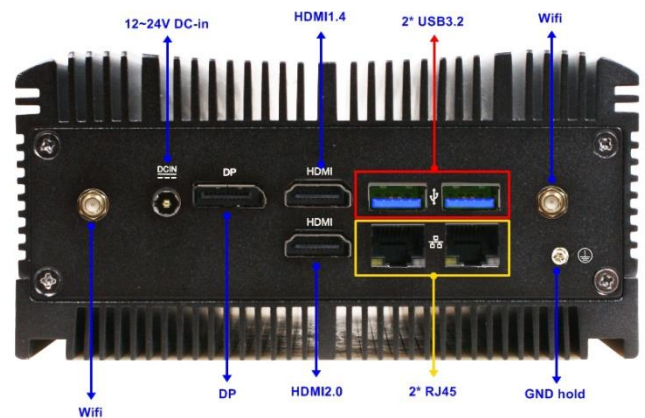


External I/O

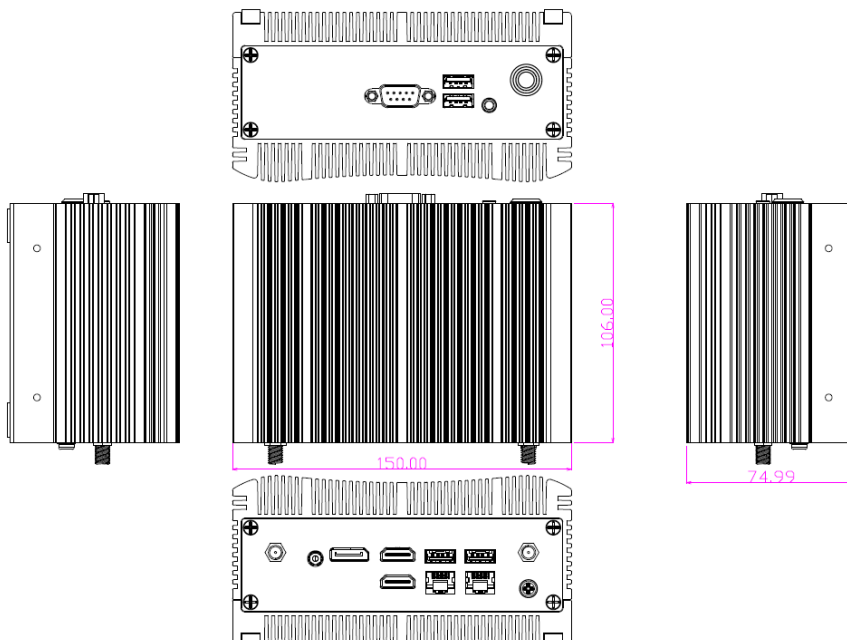
Front



Rear



Mechanical Drawings (Unit = mm)



Specifications

M/B Model	JNU95-10210	Part No	HBJC330U95-10210
BIOS	AMI 128MB SMT Flash ROM	CPU/Chipset	Intel® Comet Lake i5-10210U 1.6G QC SoC Processor
Memory	2 * DDR4 2666MHz SO-DIMM up to 64GB	Network	2 * Intel® GbE (1 * I219LM, 1 * I211AT)
Storage	1 * M.2 (M-Key, 2242, SATA interface)	Expansion	N/A
Rear Panel I/O	<ul style="list-style-type: none"> 2 * USB3.2 (Gen2) 1 * DP1.4 (Max Resolution: 4096*2340@60Hz) 1 * HDMI2.0 (Max Resolution: 4096*2340@60Hz) 1 * HDMI1.4 (Max Resolution: 4096*2340@30Hz) 2 * RJ45 1 * DC Jack (12~24V) 	Front Panel I/O	<ul style="list-style-type: none"> 1 * Audio Jack (Line out +MIC) 2 * USB3.2 (Gen2) 1 * RS232/422/485 1 * Power Button
Internal Connector	<ul style="list-style-type: none"> 1 * M.2 (M-Key, SATA Interface) 1 * M.2 (E-Key) for CNVi or PCI-E/USB WIFI/BT 8bit GPIO 2 * USB2.0 	Power Source	<ul style="list-style-type: none"> 12~24V DC-in Adapter: DC12V-60W
Compliance	CE, FCC, RoHS, ErP Ready (Option)	Dimensions	150 (W) x 106 (D) x 75 (H) mm
Temperature	<ul style="list-style-type: none"> Operating Temperature: -10 ~ 50° C Storage Temperature: -20 ~ 60° C Humidity : 90%, non-condensing 	OS Support	Windows 10, Linux
Warranty	2 Years limited warranty		

* Specifications subject to change without notice, not responsible for typographical errors. Does not include HDD or OS.

Accessories

Parts Number	Description	Parts Number	Description
-----	HBJC330U95-10210	J05-ANT-GX57245-F	L- Antenna2G4/5G
L01AS053-F	Adapter 12V-60W	HCS330XXX1B-F	JC330_Wall mount, VESA mount
Change according to shipping area	Power cord		