

# HBJC153F692-345S

Intel® Apollo Lake processor, DDR3L-1866MHz up to 8GB

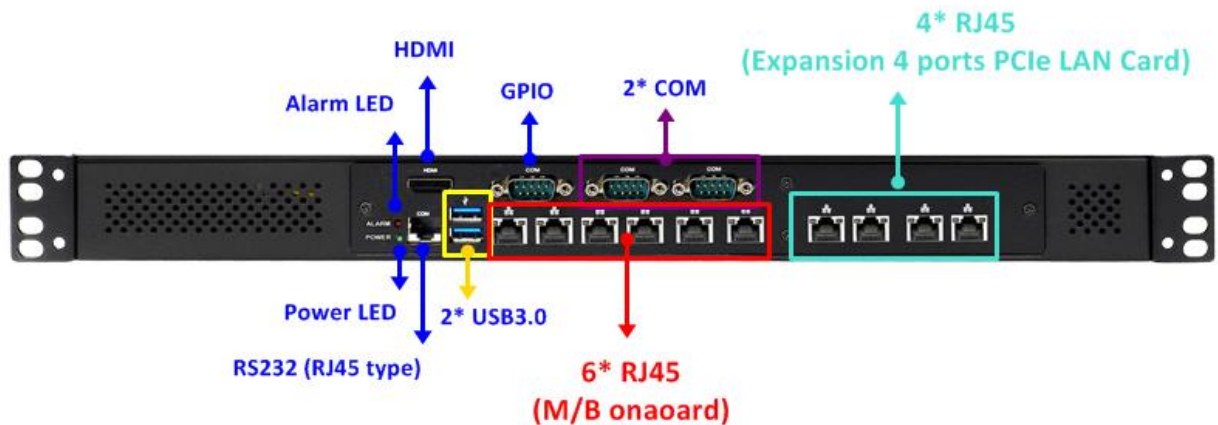
## Features

1. Intel® Apollo Lake J3455 SoC Processor
2. 1 \* DDR3L 1866MHz SO-DIMM up to 8GB
3. 2 \* USB3.0, 6 \* GbE, 1 \*RS232(RJ45 type)
4. M/B Form Factor: Mini ITX (170x170mm)
5. 1U FLEX POWER\_250W
6. TPM2.0 (option)



intel. FC CE RoHS  
COMPLIANT

## Front I/O



## Rear I/O



## Specifications

### Model

- HBJC153F692-345S (NF692 : 6 LAN)
- HBJC153F692B-345S (NF692 : 4 LAN + 2 Bypass LAN)
- HBJC153F692-345SB  
(NF692 : 6 LAN , Expansion Lan card : 2 LAN + 2 Bypass LAN)
- HBJC153F692-345S4  
(NF692 : 6 LAN , Expansion Lan card : 4 Bypass LAN)
- HBJC153F692B-345SB  
(NF692 : 4 LAN + 2 Bypass LAN , Expansion Lan card : 2 LAN + 2 Bypass LAN)
- HBJC153F692B-345S4  
(NF692 : 4 LAN + 2 Bypass LAN , Expansion Lan card : 4 LAN )

### BIOS

AMI Flash ROM

### Network

- 6\* Intel i211AT GbE (1 pair ByPass GbE)

### Storage

- 1 \* Full size mSATA/Mini-PCI Express shared slot
- 1\* 2.5" SATAIII Device (support 2.5" HDD with a height ≤ 10mm)

### Rear Panel I/O

- 1 \* Power switch
- AC INPUT / 1U FLEX 250W Power build in

### Internal Connector

- 1 \* SIM card slot

### Compliance

CE, FCC, LVD Ready

### Temperature

- Operating Temperature: 0 ~ 50° C
- Storage Temperature: -40 ~ 85° C
- Humidity : 10%~95% @40° C (non-condensing)

### OS Support

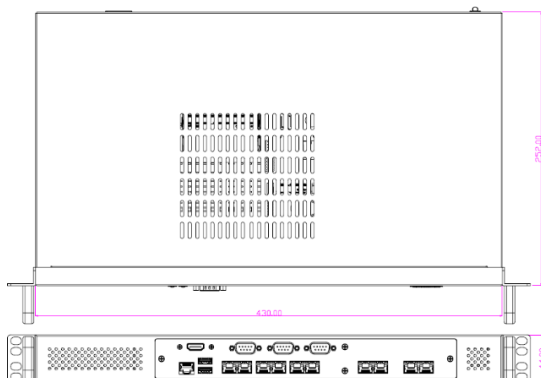
Win11, Linux.

### Warranty

2 Years limited warranty

\* Specifications subject to change without notice, not responsible for typographical errors. Does not include HDD or OS.

## Mechanical Drawings (Unit=mm)



### CPU / Chipset

Intel® Apollo Lake J3455 SoC Processor

### Memory

1 \* DDR3L 1866MHz SO-DIMM up to 8GB

### Graphics

- Intel® HD Graphics, shared memory
- 1 \* HDMI (Max. Resolution: 1920 \* 1080@60Hz)

### Expansion

- 1 \* Full size Mini-PCIe

### Front Panel I/O

- 6 \* RJ45
- 2 \* USB3.0
- 1 \* RS232 (RJ45 type)
- 1 \* PWR LED, 1 \* Alarm LED
- 1 \* HDMI (Max. Resolution: 1920 \* 1080@60Hz, **Not assembled when shipped, wire placed in the parts box**)
- 1 \* GPIO (**Not assembled when shipped, wire placed in the parts box**)
- 2 \* COM (optional)
- 4 ports GbE PCIe expansion card (optional)
- 2 pairs of Bypass LAN PCIe expansion card (optional)

### Power Source

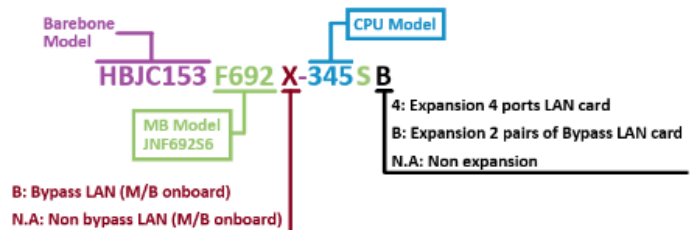
- MB : DC12V input
- 1U FLEX 250W Power / AC\_90~240V

### Dimensions

System: 430 (W) x 252 (D) x 44 (H) mm

Box: 530 (W) \* 353 (D) \* 142 (H) mm

## Part Number Rules



## Standard Accessories

Part Number	Description
-----	HBJC153F692S Series Barebone
G01-2X10A-HDMI-1F	HDMI cable/ L=25cm
G01-GPIO9-M30D-F	GPIO cable COM9/M L=30cm
Change according to shipping area	Power cord
LCSCJC150-F	Screw pack