



HBJC143F693 Series

Intel® LGA1151 Socket Core i3,i5,i7 CPU, DDR4 up to 32GB

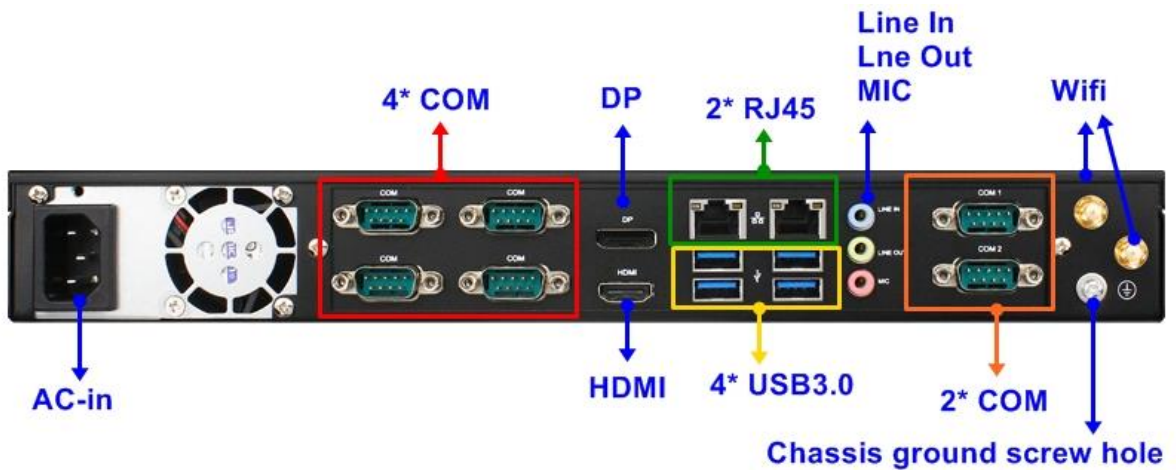


1. Intel® LGA1151 Socket Core i3,i5,i7 & Pentium Processors(max.65W)
2. Support DDR4-2133Mhz, 2 * SO-DIMM slot, up to 32GB memory
3. 2 * USB2.0, 4 * USB3.0, 1 * HDMI, 1 * DP, 2 * RJ45, 1 * MIC, 1 * Line in, 1*Line out
4. M/B Form Factor : Mini ITX (170x170mm)
5. 1U 250W FLEX Power

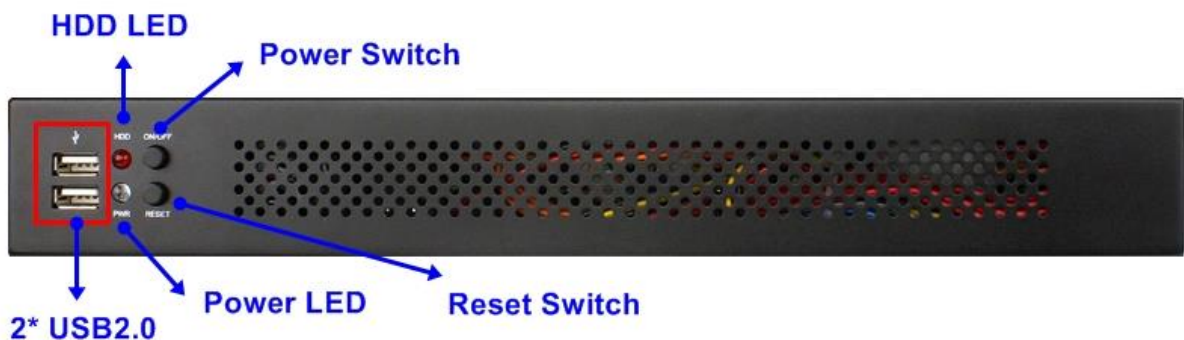


External I/O

Rear



Front

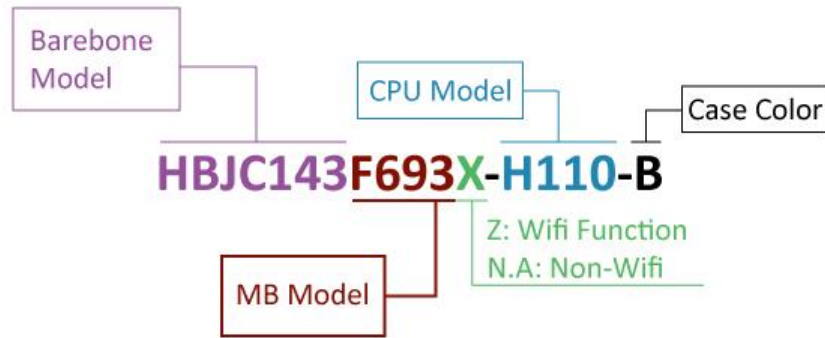


Specifications

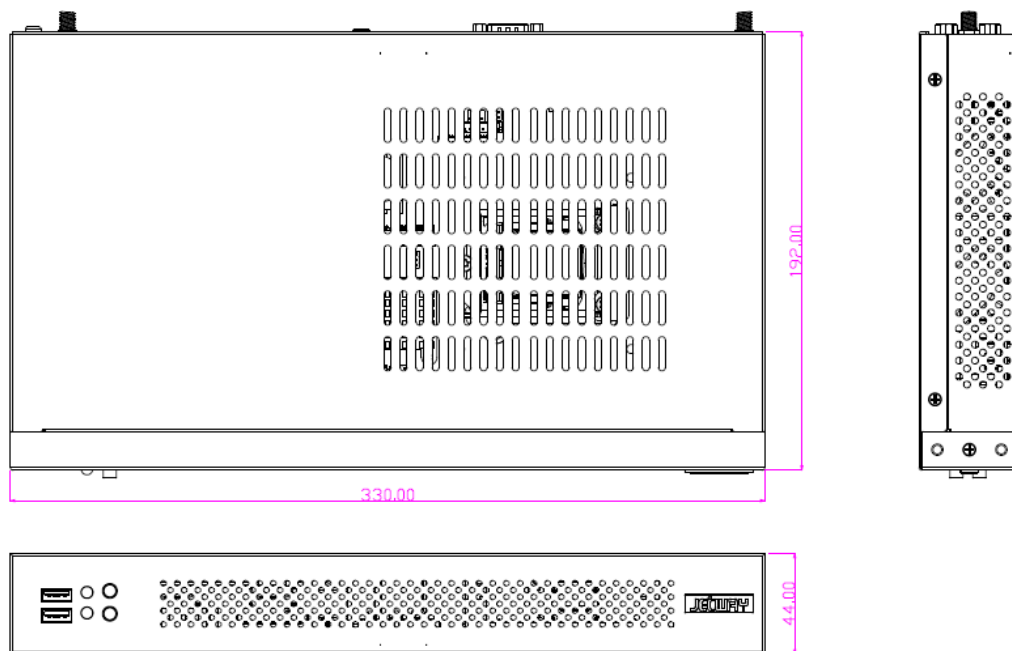
MB Model	<ul style="list-style-type: none"> ● JNF693-H110 / Mini ITX
Part No	<ul style="list-style-type: none"> ● HBJC143F693-H110-B (non-WIFI) ● HBJC143F693Z-H110-B (WIFI)
BIOS	<ul style="list-style-type: none"> ● AMI Flash ROM
CPU/Chipset	<ul style="list-style-type: none"> ● Intel® LGA1151 Socket Core i3, i5, i7 & Pentium Processors
Memory	<ul style="list-style-type: none"> ● 2 * DDR4-2133 up to 32GB
Storage	<ul style="list-style-type: none"> ● 1* 2.5" SATA 6Gb/s internal drive bay ● 1 * M.2_SSD (M key-2242/2260)
Network	<ul style="list-style-type: none"> ● 2 * Realtek® 8111G Gigabit LAN ● 1 * Full-size mini-PCIE slot (for WIFI / Optional)
Rear Panel I/O	<ul style="list-style-type: none"> ● 4 * USB 3.0 ● 1 * HDMI (Max Resolution : 3840x2160@24Hz) ● 1 * DP (Max Resolution : 4096x2304@60Hz) ● 2 * RJ45 ● 1 * Mic , 1 * Line in , 1 * Line-out (Realtek ALC662) ● 6 * RS232 ● 1 * AC in
Front Panel I/O	<ul style="list-style-type: none"> ● 1 * Power button , 1 * Reset button ● 1 * Power LED , 1 * HDD LED ● 2 * USB 2.0
Power Source	<ul style="list-style-type: none"> ● 1U 250W FLEX POWER ● AC 90~240V input
Compliance	<ul style="list-style-type: none"> ● CE, FCC, LVDS, RoHS
Temperature	<ul style="list-style-type: none"> ● Operating Temperature: 0~50 °C ● Storage Temperature: -40~85° C ● Humidity: 10%~95% @40° C (non-condensing)
Dimensions	<ul style="list-style-type: none"> ● 330 (W) x 192 (D) x 44 (H) mm
Packing	<ul style="list-style-type: none"> ● Net Weight: 2.0KG ● Gross Weight: 3.0KG ● Color Box dimension: 406 (W) * 359 (D) * 148 (H) mm
OS Support	<p>Skylake CPU support Win7, Win8, Win10. Kabylake CPU only support Win10.</p>
Warranty	<p>2 Year limited warranty</p>

*Specifications subject to change without notice, not responsible for typographical errors. Does not include HDD or OS.

Part Number Rule



Mechanical Drawings (Unit = mm)



Standard Accessories

Parts Number	Description
-----	HBJC143F693(Z) Series
Change according to shipping area	Power cord
G01-SATA3-BL-1F	SATA3 CABLE L=50cm
F07-FN959528-F	95*95*28mm CPU Cooler FAN
LCSCJC150-F	Screw Pack