



HBJC142F791(W)-3855B / HBJC142F791(W)-3955B

Intel® Skylake U/Kabylake U CPU, DDR4 up to 32GB, support Max.4K display resolution



1. Intel® Skylake-U/Kabylake-U Processor (TDP 15W)
2. Support DDR4-2133, 2 * SO-DIMM slot, up to 32GB memory
3. 2 * USB2.0, 4 * USB3.0, 1 * COM, 1 * HDMI, 1 * VGA, 2 * RJ45, 1*RJ11, 1*PS2, 1*LPT, 1*MIC, 1*Line out, 4 * COM (Option)
4. M/B Form Factor : Mini ITX (170x170mm)
5. DC-12V_60W Adapter

External I/O

Rear



Front

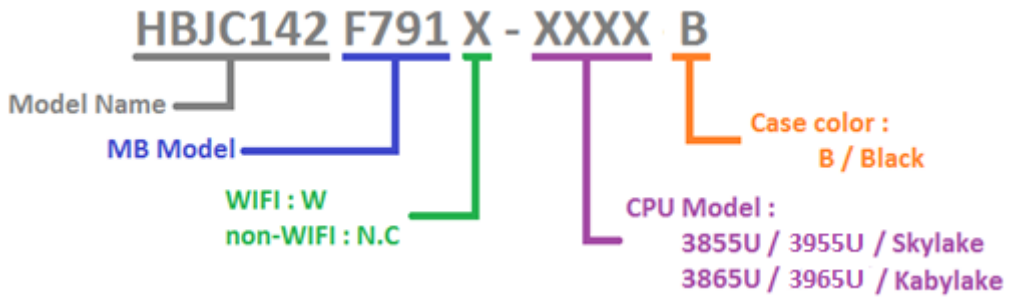


Specifications

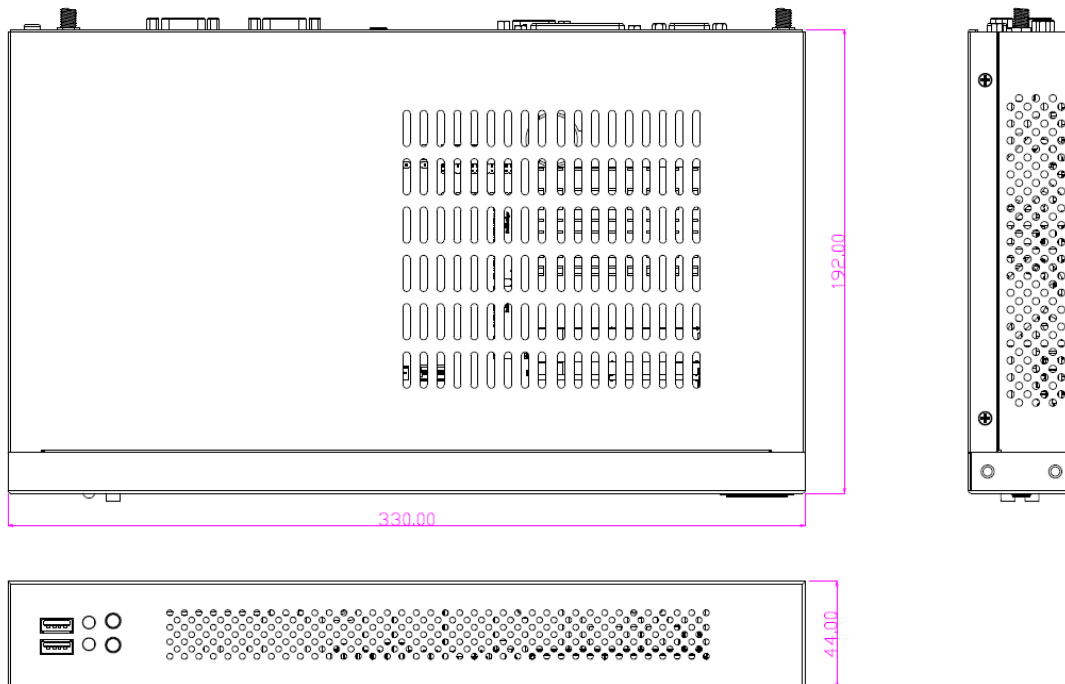
MB Model	JNF791-3855U/3955U Mini ITX
Part No	<ul style="list-style-type: none"> ● HBJC142F791-3855B (non-WIFI) ● HBJC142F791W-3855B (WIFI) ● HBJC142F791-3955B (non-WIFI) ● HBJC142F791W-3955B (WIFI)
BIOS	AMI 16MB SMT Flash ROM
CPU/Chipset	<ul style="list-style-type: none"> ● Intel® Skylake-U/Kabylake-U Processor (TDP 15W)
Memory	<ul style="list-style-type: none"> ● 2 * SO-DIMM slots DDR4-2133 up to 32GB
Storage	<ul style="list-style-type: none"> ● 1 * 2.5" SATA3 6Gb/s internal drive bay ● 1 * Full-size mSATA/Mini-PCI Express shared slot
Network	<ul style="list-style-type: none"> ● 2 * Realtek® 8111H GbE ● 1 * Full-size Mini-PCIE slot (802.11 b/g/n + BT 4.0 installed in WiFi model / Optional)
Rear Panel I/O	<ul style="list-style-type: none"> ● 4 * USB 3.0 ports ● 1 * HDMI (Max. Resolution: 4096×2304@24Hz) ● 1 * VGA (Max. Resolution: 1920 * 1200@60Hz) ● 2 * RJ45 ● 1 * Line-out, 1 * Mic-in (Realtek ALC662VD) ● 1 * COM (RS232/422/485), 4 * COM (RS232 / Optional) ● 2 * Antenna holes (WiFi model only) ● 12V DC-In barrel jack
Front Panel I/O	<ul style="list-style-type: none"> ● 1 * Power button , 1 * Reset button ● 1 * Power LED , 1 * HDD LED ● 2 * USB 2.0 ports
Power Source	<ul style="list-style-type: none"> ● FSP DC Adapter / DC12V-5A-60W / LV6 ● AC 90~240V input
Compliance	CE, FCC, LVD, RoHS
Safety	Vibration test: N.C Shock test: N.C
Temperature	Operating Temperature: 0~50 °C Storage Temperature: -10-70 °C
Dimensions	330 (W) x 192 (D) x 44 (H) mm
Packing	<ul style="list-style-type: none"> ● Net Weight: 2.0KG ● Gross Weight: 3.2KG ● Color Box dimension: 406 (W) * 359 (D) * 148 (H) mm
OS Support	HBJC142F791(W)-3855/3955B (Skylake CPU) support Win7, Win8, Win10. Kabylake CPU only support Win10.
Warranty	2 Year limited warranty

*Specifications subject to change without notice, not responsible for typographical errors. Does not include HDD or OS.

Part Number Rule



Mechanical Drawings (Unit = mm)



Accessories

Parts Number	Description
-----	HBJC142F791(W)-XXXXB
L01AS053-F	Adapter 12V/5A 60W
Change according to shipping area	Power cord
LCSCHBJC3XX-F	Screw Pack
J05-ANT-AN2400-F	Antenna2G4 -2dBi R-AN2400-5701RS (WiFi model only)
G01-GPIO9-M30-F	GPIO cable
G01-COM9-30A-1F	COM cable