

HBDF20-6412-B Series

Intel® Elkhart Lake SoC Processor, DDR4 3200MHz up to 32GB

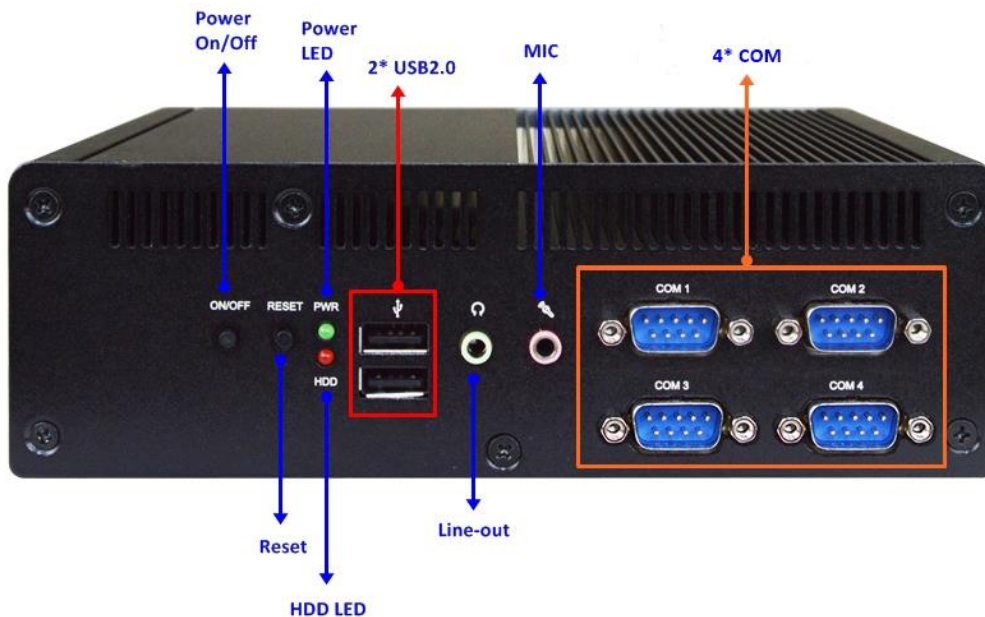
Features

1. Intel® Elkhart Lake SoC Processor (Default: J6412)
2. 1* DDR4 3200MHz SO-DIMM up to 32GB
3. 8* USB, 2* RJ45, 4* COM, 2* HDMI
4. Support EMMC & TPM2.0 (option)
5. Dimensions: 193 x 142.4 x 62 mm
6. DC12V_60W Adapter

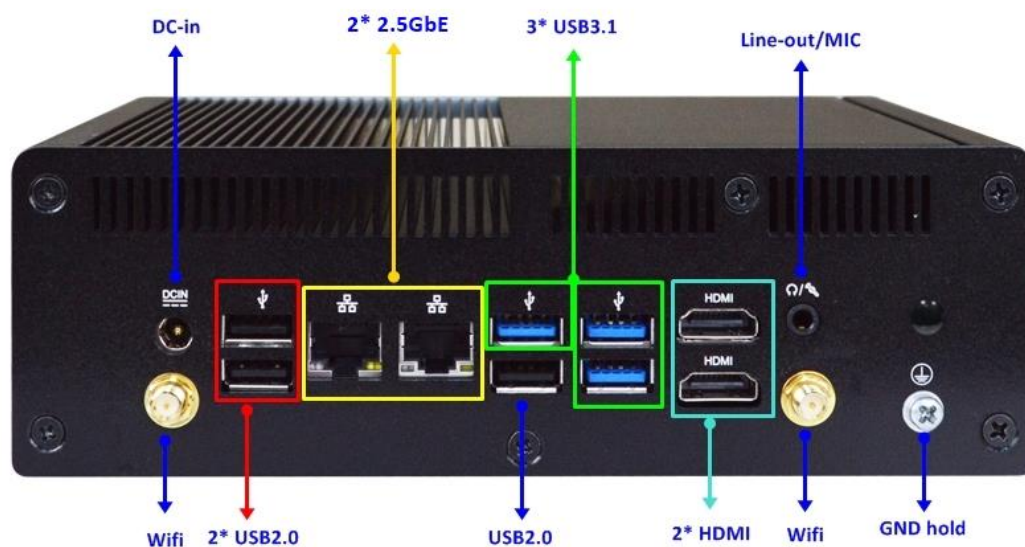


intel. FC CE RoHS COMPLIANT

Front I/O



Rear I/O

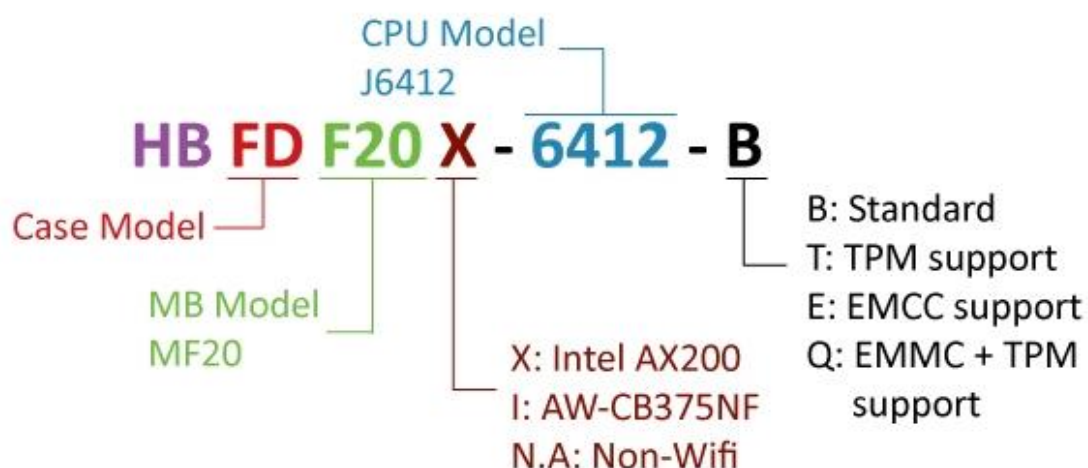


Specifications

Model	<ul style="list-style-type: none"> • HBFDF20-6412-B (Default) / HBFDF20I-6412-B (Default, WiFi) • HBFDF20-6412-T (TPM) / HBFDF20I-6412-T (TPM, WiFi) • HBFDF20-6412-E (64GB EMMC) / HBFDF20I-6412-E (64GB EMMC, WiFi) • HBFDF20-6412-Q (64GB EMMC, TPM) / HBFDF20I-6412-Q (64GB EMMC, TPM , WiFi)
M/B Model	<ul style="list-style-type: none"> • MF20-00B (J6412 CPU_10W, Default) • MF20-02B (J6412 CPU_10W, TPM2.0) • MF20-03B (J6412 CPU_10W, EMMC) • MF20-07B (J6412 CPU_10W, 32GB EMMC, TPM2.0)
CPU / Chipset	<ul style="list-style-type: none"> • Intel® Elkhart Lake SoC Processor (Default: J6412, TDP 10W)
BIOS	<ul style="list-style-type: none"> • AMI Flash ROM
Memory	<ul style="list-style-type: none"> • 1* DDR4 3200MHz SO-DIMM up to 32GB
Network	<ul style="list-style-type: none"> • 2* Intel® i225LM 2.5GbE
Graphics	<ul style="list-style-type: none"> • Intel® HD Graphics, shared memory • 2* HDMI (Max Resolution: 4096x2160@60Hz)
Storage	<ul style="list-style-type: none"> • 1* M.2 M-key (2242/2280, PCIe Gen.3 x2/SATA interface) support NVME • 1* 2.5" SATAIII 6Gb/s internal drive bay (Max. Height 9.5 mm) • 64GB eMMC onboard (option)
Expansion	<ul style="list-style-type: none"> • 1* M.2 E-key (2230, PCIe Gen.3 x1/USB2.0 interface) • 1* M.2 B-key (3042,USB3.1 /USB2.0 interface W/SIM card slot) • TPM onboard (option)
Rear Panel I/O	<ul style="list-style-type: none"> • 3* USB3.1 (Gen2) • 3* USB2.0 • 2* HDMI • 2* RJ45 • Line-out/MIC combo jack • 1* DC in
Front Panel I/O	<ul style="list-style-type: none"> • 1* Power SW, 1* Reset • 1* Power LED, 1* HDD LED • 1* MIC • 1* Line-out • 4* COM (COM1 support RS485) • 2* USB2.0
Internal Connector	<ul style="list-style-type: none"> • SIM Card Holder
Power Source	<ul style="list-style-type: none"> • Adapter : AC 90~240V input / DC12V_60W output • MB : DC12~24V input
Compliance	<ul style="list-style-type: none"> • CE, FCC, LVD, RoHS, ErP Ready
Dimensions	<ul style="list-style-type: none"> • System: 193 (W) x 142.4 (D) x 62 (H) mm • Color Box dimension: 250 (W) * 118 (D) * 295 (H) mm • Net Weight: 2.2KG • Gross Weight: 3.5KG
Temperature	<ul style="list-style-type: none"> • Operating Temperature: -20 ~ 60° C (Under the condition of using M.2 interface SSD) • Operating Temperature: 0 ~ 50° C (Under the condition of using 2.5" SATA HDD) • Storage Temperature: -40 ~ 85° C • Humidity: 10% ~ 95% RH @40°C (non-condensing)
OS Support	<ul style="list-style-type: none"> • Windows 11, Linux
Warranty	<ul style="list-style-type: none"> • 2 Years limited warranty

* Specifications subject to change without notice, not responsible for typographical errors. Does not include HDD or OS.

Part Number Rules



Standard Accessories

Part Number	Description
-----	HBFD20 Series
HCSFDMWM01B-F	WALL MOUNT KITS
HCS3XXDINRAILPS-F	DIN RAIL KITS
L01AS053-F	Adapter DC12V_60W
Change according to shipping area	Power cord
LCSCBFDXXX-F	Screw Pack
J05-ANT-GX57245-F	Antenna 2.4G/5G 2.8dBi (WiFi only)
HNSCOMWFCB375NF-F	AW-CB375NF M.2 2230 WiFi card (WIFI only)
HNSCOMWFAX200NV-1F	Intel AX200NGWG.NV M.2 2230 WiFi card (WIFI only)

Mechanical Drawings (Unit=mm)

