



HBFCU792 Series

Intel® Skylake/Kabylake U-series Processor, Dual-channel DDR4 2133MHz up to 32GB



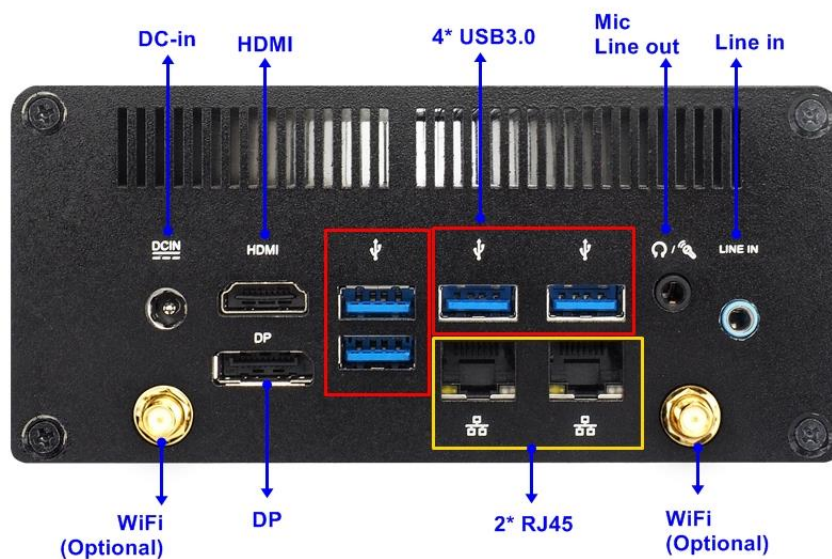
1. Intel® Skylake/Kabylake U-series Processor (15W)
2. 2 * 260-pin Dual-channel DDR4 2133MHz SODIMM up to 32 GB
3. 2 * USB2.0, 6 * USB3.0, 1 * COM, 1 * DP, 1 * HDMI, 2 * RJ45, 1 * Line-in, 1 * MIC+Line out Combo
4. M/B Form Factor: uTX (117x112mm)
5. DC-12V_60W Adapter



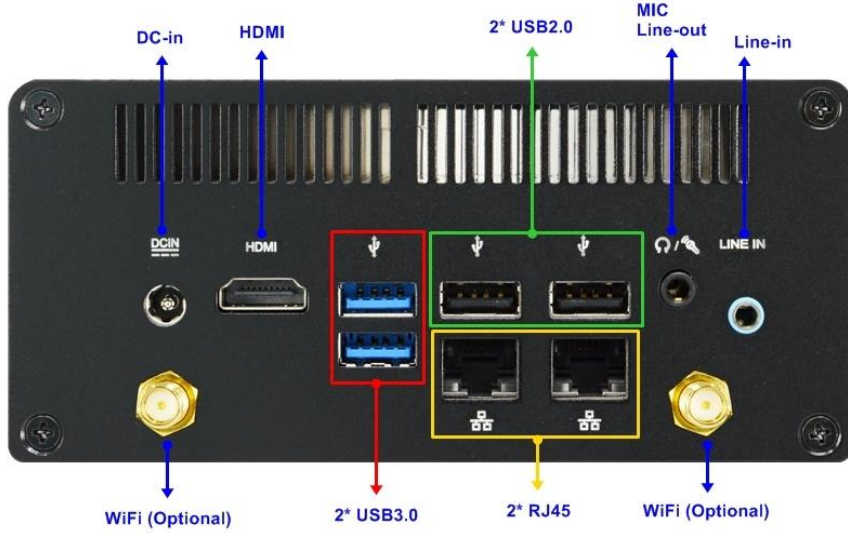
External I/O

Rear

HBFCU792C Series

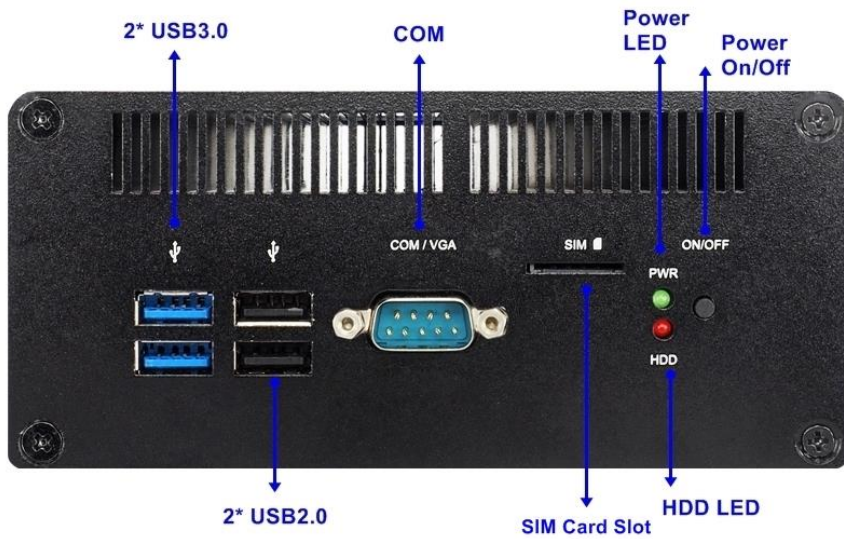


HBFCU792V Series

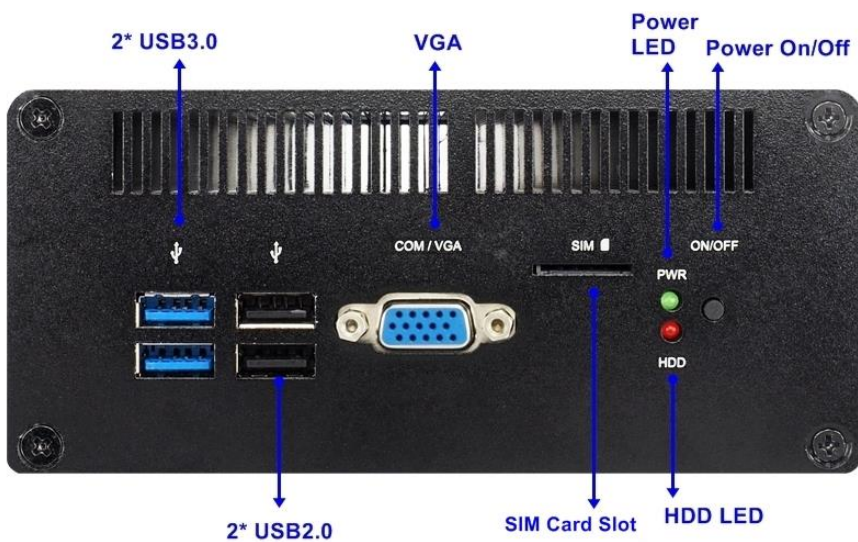


Front

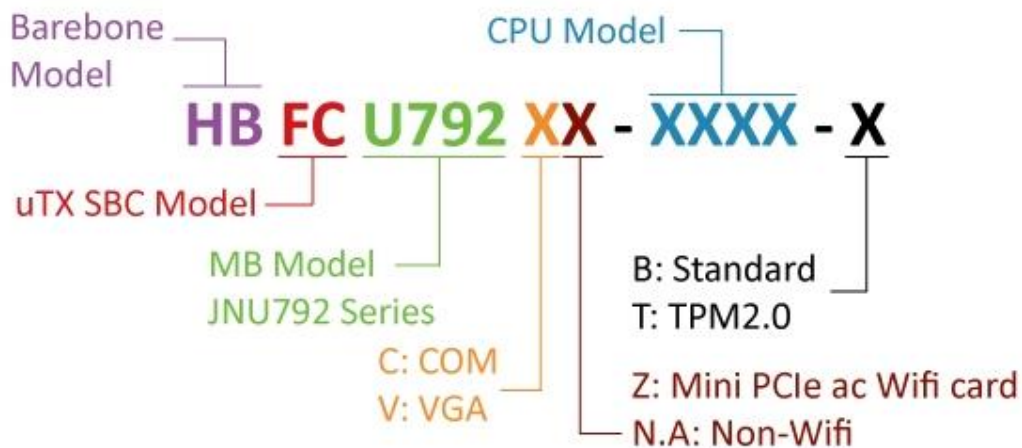
HBFCU792C Series



HBFCU792V Series



Part Number Rule



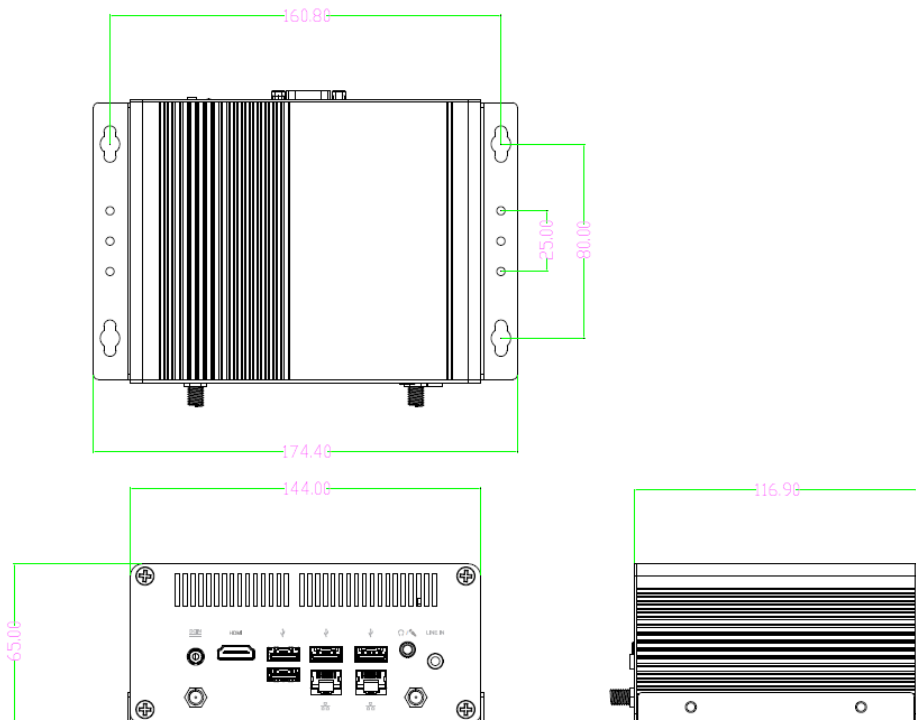
Specifications

MB Model	<ul style="list-style-type: none"> JNU792C-7100 Core i3-7100U Processor (Default) JNU792V-3965 Celeron 3865 / 3965U Processor 		
Part No	COM Series		
	Non-Wifi	Mini PCIe ac Wifi card	TPM2.0
	HBFCU792C-7100-B (Default)	HBFCU792CZ-7100-B	<ul style="list-style-type: none"> HBFCU792C-7100-T HBFCU792CZ-7100-T
	VGA Series		
	Non-Wifi	Mini PCIe ac Wifi card	TPM2.0
	HBFCU792V-3965-B	HBFCU792VZ-3965-B	<ul style="list-style-type: none"> HBFCU792V-3965-T HBFCU792VZ-3965-T
BIOS	<ul style="list-style-type: none"> AMI 16MB SMT Flash ROM 		
CPU/Chipset	<ul style="list-style-type: none"> Intel® Skylake/Kabylake U-series Processor (TDP 15W) <p>Notes: When the system runs, CPU will automatically adjust its working clock frequency according to changing workload.</p>		
Memory	<ul style="list-style-type: none"> 2 * 260-pin Dual-channel DDR4 2133MHz SO-DIMM up to 32 GB 		
Storage	<ul style="list-style-type: none"> 1 * 2.5" SATAIII 6Gb/s internal drive bay (only support 2.5" HDD with a height ≤ 10mm) 1 * full-size mSATA/Mini-PCIe shared slot 		
Network	<ul style="list-style-type: none"> 1 * Intel i211AT GbE, 1 * Intel i219LM GbE 1 * half-size Mini-PCIe slot (for WiFi model installed) 		
Rear Panel I/O	<ul style="list-style-type: none"> 4 * USB3.0 (COM Series) 2 * USB3.0, 2 * USB2.0 (VGA Series) 1 * HDMI 1.4 (max. 4096 x 2304@24Hz resolution) 1 * DP (Max. 4096 x 2304@60Hz resolution) (COM Series) 2 * RJ45 1 * Line-in, 1 * MIC+Line-out Combo 2 * Antenna holes (WiFi only) 1 * DC-in jack 		

Front Panel I/O	<ul style="list-style-type: none"> ● 1 * Power button ● 1 * Power LED, 1 * HDD LED ● 1 * SIM Card Slot ● 2 * USB2.0, 2 * USB3.0 ● 1 * COM (RS232/422/485) (COM Series only) ● 1 * VGA (Max. resolution: 1920 x 1200@60Hz) (VGA Series only)
Power Source	<ul style="list-style-type: none"> ● AC to DC Adapter / DC12V_5A_60W ● AC 90~240V input
Compliance	CE, FCC, LVD, RoHS, ErP Ready
Temperature	<ul style="list-style-type: none"> ● Operating Temperature: -20 ~ 60° C (Under the condition of using mSATA or SSD) ● Operating Temperature: 0 ~ 50° C (Under the condition of using 2.5" SATA HDD) (The test environment is closed and windless) ● Storage Temperature: -20 ~ 70° C ● Humidity: Between 40% and 60%, non-condensing
Dimensions	144 (W) x 116.9 (D) x 65 (H) mm
Packing	<ul style="list-style-type: none"> ● Net Weight: 1.8 KG ● Gross Weight: 2.8 KG ● Color Box dimension: 250 (W) * 118 (D) * 295 (H) mm
OS Support	Skylake-U CPU support Win7, Win8, Win10. Kabylake-U CPU only support Win10.
Warranty	2 Year limited warranty

*Specifications subject to change without notice, not responsible for typographical errors. Does not include HDD or OS.

Mechanical Drawings (Unit = mm)



Accessories

Parts Number	Description
-----	HBFCU792 Series
L01AS053-F	Adapter 12V 60W
Change according to shipping area	Power cord
HCSFCMWM01B-F	FC Series Wall mount / Black color
LCSCBFDXXX-F	HBFX_Series Screw Pack
J05-ANT-GX57245-F	Antenna2G4/5G 2.8dBi GX572450001SM (WiFi only)
HCS3XXDINRAILPS-F	Din Rail Clip
HNSCOMWFAWCB161HF	Mini PCIe ac Wifi card (Wifi only)