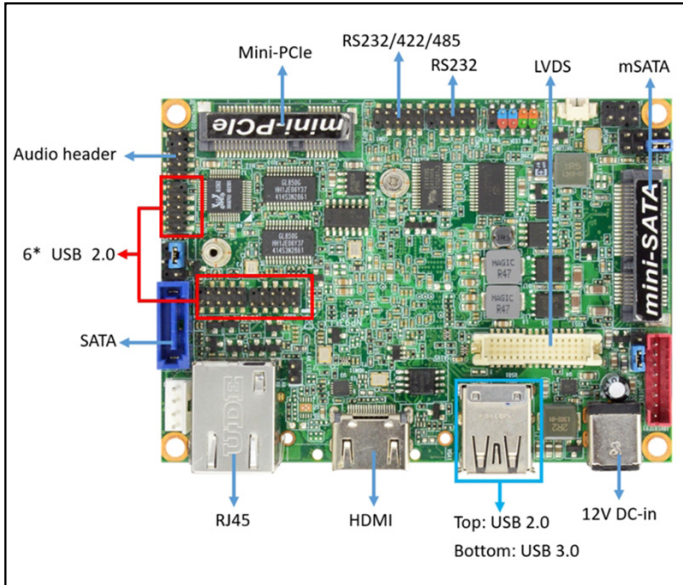


PICO-ITX Motherboard with Intel® N2930/N28007 CPU, Wide Temperature Operating -20°C ~ 60°C



Features

- Powered by Intel® N2930 SoC Processor (formerly Bay Trail)
- DDR3L Memory: On-board 2GB DDR3L 1333MHz
- Dual Display Support: 1 x HDMI/VGA, 1 x LVDS
- 1 GbE LAN: Fast and reliable networking
- Pico-ITX Form Factor (100mm X 72mm) Design for Fanless Systems
- Storage & Expansion: 1 x SATA, 1 x mSATA, 1 x Mini PCIe
- Power Input: 12V DC-in

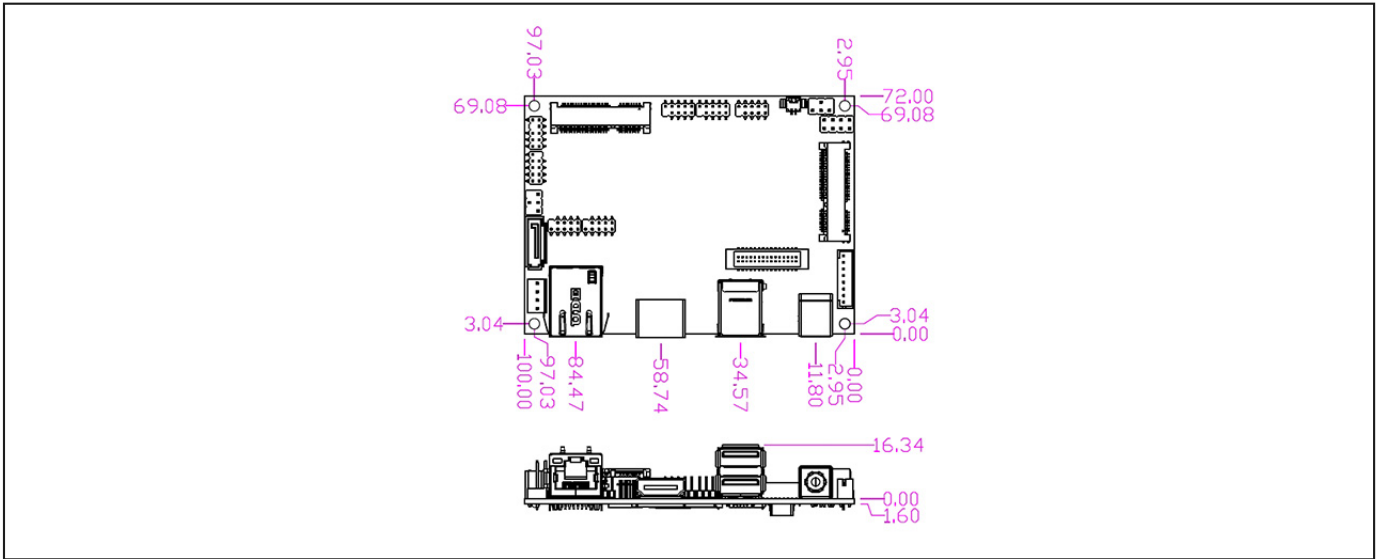
Packing List

PART NUMBER	DESCRIPTION	QTY
NP93	NP93 Series M/B	1
G01-SATA-BK-B-2F	SATA Cable	1
G01-PW4PS2S-322-1F	SATA Power Y Cable	1
G01-COM-H2M22-1F	COM Cable	1
F05-JNP93-3F	Black Fin Type Heatsink	1

Specifications

SYSTEM	
MB FORM FACTOR	Pico-ITX
CPU	Onboard Intel® Celeron® Processor N2930 (Formerly Bay Trail, TDP 7.5W) Onboard Intel® Celeron® Processor N2807 (Formerly Bay Trail, TDP 4.3W)
CHIPSET	Intel® SoC
MEMORY	Onboard DDR3L 1333MHz 2GB DRAM
BIOS	UEFI
DIMENSION (W X D)	100.0 (W) x 72.0 (D) mm (3.9" x 2.8")
OS SUPPORT	Windows® 10 (64bit) Windows® 10 (32bit) Windows® 8 / 8.1 (64bit) Windows® 8 / 8.1 (32bit) Windows® 7 (64bit) Windows® 7 (32bit) Linux
POWER	
POWER REQUIREMENT	DC-in 12V
POWER ON MODE	AT / ATX
CONNECTOR	2-pin Power Con
DISPLAY	
GPU	Intel® HD Graphics
LVDS	1 x 24-bit Dual Channel LVDS (Max. Resolution: 1920 x 1200 @60Hz)
HDMI	1 x HDMI (Max Resolution: 1920 x 1200@60Hz share with VGA)
VGA	1 x VGA (Max Resolution: 1920 x 1200 @60Hz, share with HDMI)
AUDIO	
MULTIPLE DISPLAY	Support 2 Displays
CODEC	Realtek Audio Codec
LAN	
ETHERNET	1 x RJ45 for Realtek® RTL8111H GbE
SERIAL PORT	
USB	1 x USB 3.0 1 x USB 2.0 Internal Header for 6 x USB 2.0
INTERNAL I/O	
COM	1 x DB-9 for RS-232/422/485 1 x DB-9 for RS-232/422/485 with 5V/12V header
STORAGE	
ADDITIONAL	1 x LVDS 1 x Audio Header
SATA	1 x SATA II 1 x SATA Power Connector
MINI PCI-E	1 x Half Size Mini-PCIe
mSATA	1 x Full Size mSATA
ENVIRONMENT & CERTIFICATION	
SHOCK	15G, 11ms duration
VIBRATION	1 Grms/ 5- 500Hz/ Operation
OPERATING TEMPERATURE	-20°C - 60°C (-4°F - 140°F)
STORAGE TEMPERATURE	-40°C - 70°C (-40°F - 158°F)
OPERATING HUMIDITY	10 - 90% relative humidity, non-condensing
STORAGE HUMIDITY	0 - 95% Relative Humidity, Non-condensing
CERTIFICATION	CE/FCC Class A
ESG DECLARATION	EU RoHS China RoHS REACH

Dimension Unit: mm



Ordering Information

PART NUMBER	JNP93-2930	JNP93-2807
CPU	Intel® Celeron® N2930	Intel® Celeron® N2807
MEMORY	Onboard DDR3L 2GB	Onboard DDR3L 2GB
POWER REQUIREMENT	DC-in 12V	DC-in 12V
GPU	Intel® HD Graphics	Intel® HD Graphics
LVDS	1 x LVDS	1 x LVDS
HDMI	1 x HDMI/VGA	1 x HDMI/VGA
VGA	1 x VGA/HDMI	1 x VGA/HDMI
MULTIPLE DISPLAY	Support 2 Displays	Support 2 Displays
ETHERNET	1 x GbE	1 x GbE
USB	1 x USB 3.0	1 x USB 3.0
USB	7 x USB 2.0	7 x USB 2.0
COM	2 x RS-232/422/485	2 x RS-232/422/485
SATA	1 x SATA II	1 x SATA II
MINI PCI-E	1 x Half mini PCIe	1 x Half mini PCIe
mSATA	1 x mSATA	1 x mSATA
OPERATING TEMPERATURE	-20°C ~ 60°C (-4°F ~ 140°F)	-20°C ~ 60°C (-4°F ~ 140°F)