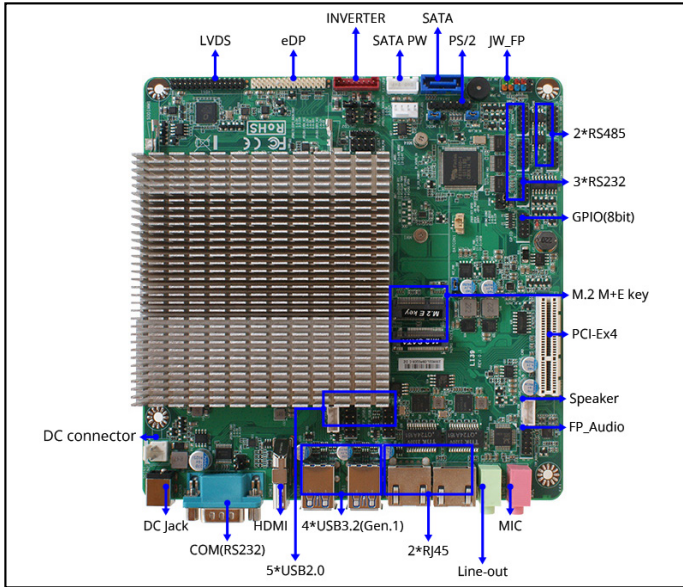


Mini-ITX Motherboard with Intel® Celeron® Processor J6412



Features

- Powered by Intel® Celeron® Processor J6412 (Elkhart Lake, TDP 10W)
- Supports multiple display options, including 1 x HDMI 2.0b, 1 x LVDS, and 1 x eDP
- Dual 2.5GbE ports deliver high-speed and reliable networking
- Integrated Realtek Audio with 3W amplifier, 1 x Line-out, 1 x MIC, and 1 x Speaker connector
- Comprehensive I/O includes 4 x USB 3.2 Gen1, 5 x USB 2.0, 2 x RS485, and 4 x RS232
- Storage and expansion: 1 x SATA III, 1 x M.2 M-key, 1 x M.2 E-key, and 1 x PCIe Gen 3x4
- Enhanced security with optional onboard TPM 2.0 support

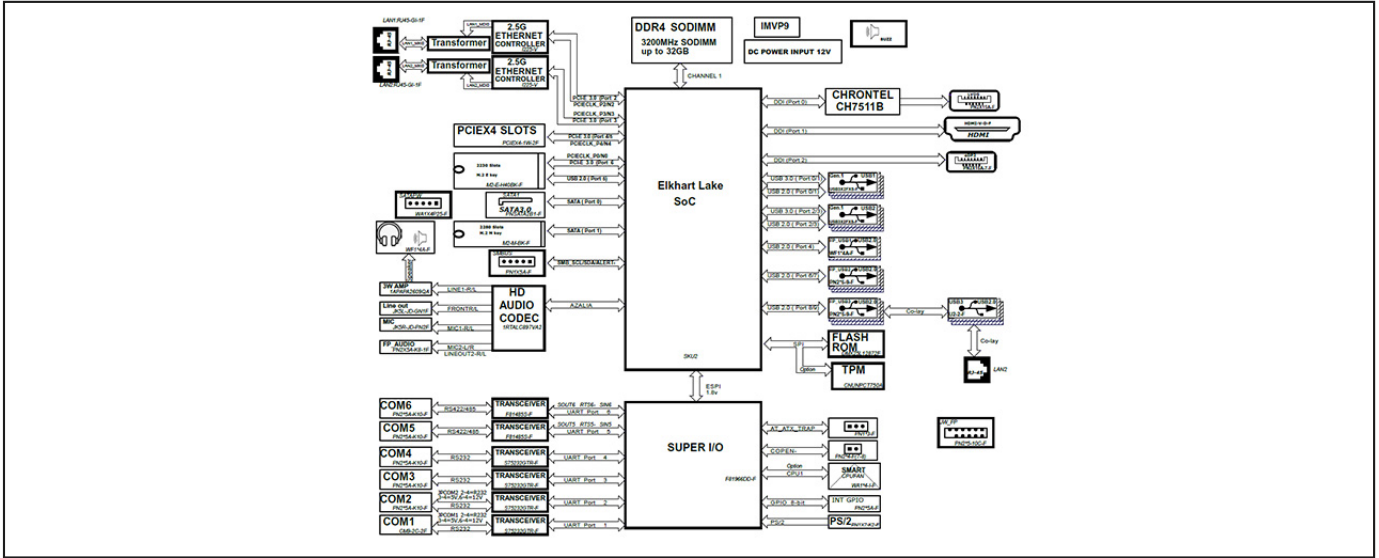
Packing List

PART NUMBER	DESCRIPTION	QTY
LI39 Series	LI39 MB	1
G01-COM-H2M22-1F	COM Cable	1
G01-SATAL-RD30-F	SATA Cable, 30cm	1
F04-MB-075-1F	I/O Shield	1

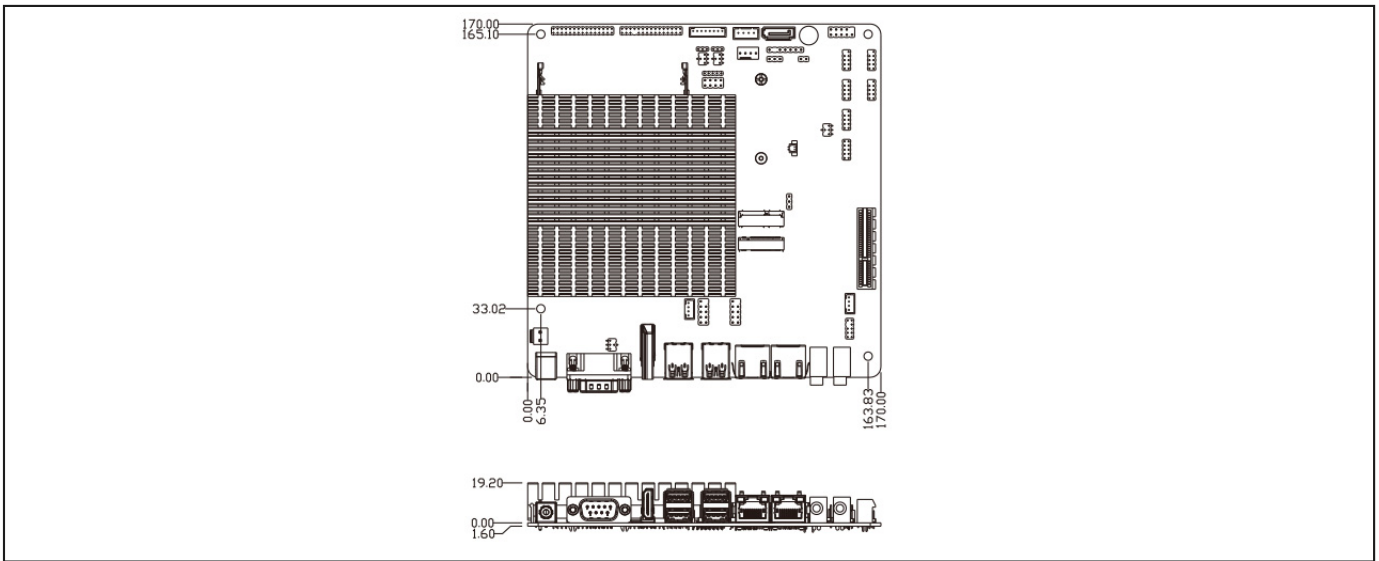
Specifications

SYSTEM	
MB FORM FACTOR	Thin Mini-ITX
CPU	Onboard Intel® Celeron® Processor J6412 (Formerly Elkhart Lake, TDP 10W)
CHIPSET	Intel® SoC
MEMORY	1 x DDR4 3200MHz, Single Channel SO-DIMM, up to 32GB
BIOS	UEFI
WAKE ON LAN	Yes
WATCHDOG TIMER	255 Levels
SECURITY	TPM2.0 (Optional)
RTC BATTERY	Lithium Battery
DIMENSION (W X D)	170.0 (W) x 170.0 (D) mm (6.7" x 6.7")
OS SUPPORT	Windows® 11 (64bit) Windows® 10 (64bit) Linux
POWER	
POWER REQUIREMENT	DC-in 12V
POWER ON MODE	AT / ATX
CONNECTOR	DC Jack 2-pin Power Con
DISPLAY	
GPU	Intel® UHD Graphics
LVDS	1 x 24-bit Dual Channel LVDS (Max. Resolution: 1920 x 1080 @60Hz)
eDP	1 x eDP (Max Resolution: 2560 x 1600@60Hz)
HDMI	1 x HDMI 2.0b (Max Resolution: 4096 x 2160@60Hz)
MULTIPLE DISPLAY	Support 3 Displays
AUDIO	
CODEC	Realtek Audio Codec
Line-out	1 x Audio Jack for Line-Out
MIC-in	1 x Audio Jack for MIC-In
AMPLIFIER	3W
LAN	
ETHERNET	2 x RJ45 for Intel® I226-V 2.5GbE
USB PORT	
USB	4 x USB 3.2 Gen 1x1 (5Gbps, Formerly USB 3.1 Gen 1) Internal Header for 5 x USB 2.0
SERIAL PORT	
COM	1 x DB-9 for RS-232 Internal Header for 3 x RS-232 Internal Header for 2 x RS-485
INTERNAL I/O	
GPIO	8-Bit
SMBUS	Yes
FAN	1 x 4-pin Connector for CPU Fan (PWM Mode)
FRONT PANEL	HDD Active LED Power LED Power On/Off Reset
ADDITIONAL	1 x PS/2 1 x Audio Header 1 x eDP 1 x LVDS
STORAGE	
SATA	1 x SATA III 1 x SATA Power Connector
ENVIRONMENT & CERTIFICATION	
SHOCK	15G, 11ms duration
VIBRATION	1 Grms/ 5- 500Hz/ Operation
OPERATING TEMPERATURE	0°C ~ 60°C (32°F ~ 140°F)
STORAGE TEMPERATURE	-20°C ~ 70°C (-4°F ~ 158°F)
OPERATING HUMIDITY	10 ~ 90% relative humidity, non-condensing
CERTIFICATION	CE/FCC Class A

Block Diagram



Dimension Unit: mm



Ordering Information

PART NUMBER	LI39-64120	LI39-64122
CPU	Intel® Celeron® J6412	Intel® Celeron® J6412
SECURITY		TPM2.0
POWER REQUIREMENT	DC-in 12V	DC-in 12V
GPU	Intel® UHD Graphics	Intel® UHD Graphics
LVDS	1 x LVDS	1 x LVDS
eDP	1 x eDP	1 x eDP
HDMI	1 x HDMI	1 x HDMI
MULTIPLE DISPLAY	Support 3 Displays	Support 3 Displays
ETHERNET	2 x 2.5GbE	2 x 2.5GbE
USB	4 x USB 3.2	4 x USB 3.2
USB	5 x USB 2.0	5 x USB 2.0
COM	2 x RS-485	2 x RS-485
COM	4 x RS-232	4 x RS-232
SATA	1 x SATA III	1 x SATA III
M.2	1 x M-Key 2242/2280	1 x M-Key 2242/2280
M.2	1 x E-Key 2230	1 x E-Key 2230
PCI-E	1 x PCI-E x4	1 x PCI-E x4
OPERATING TEMPERATURE	0°C - 60°C (32°F - 140°F)	0°C - 60°C (32°F - 140°F)