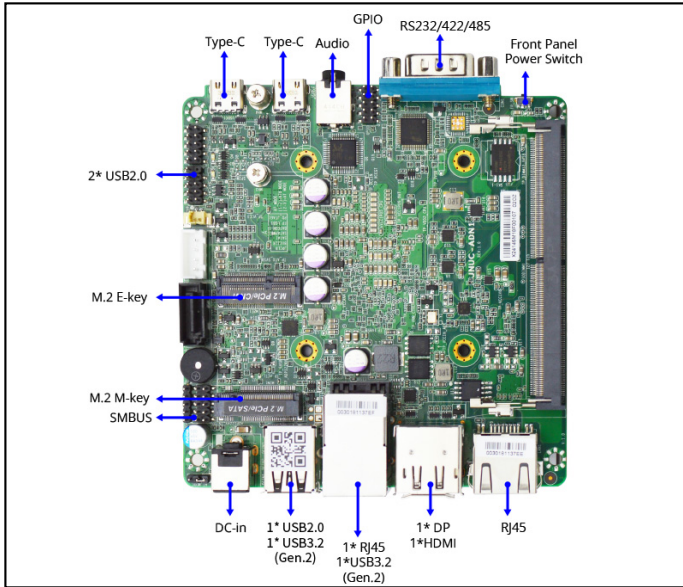


NUC Motherboard with Intel® Processor N97 (formerly Alder Lake-N)



Features

- Powered by Intel® Processor N97 (Formerly Alder Lake-N, TDP 12W)
- DDR5 4800MHz SO-DIMM, for faster data handling
- Versatile Display Options: 1 x HDMI, 1 x DP, and 2 x Type-C DP for 4K Resolution
- Dual 2.5GbE Ports for Reliable and High-Speed Networking Connections
- Comprehensive I/O: 4 x USB 3.2 Gen 2 (including 2 x Type-C with DP Alt Mode), 3 x USB 2.0, and 1 x COM port
- Storage and Expansion: 1 x SATA III, 1 x M.2 M-Key, 1 x M.2 E-Key, and an optional 64GB eMMC
- Wide Operating Temperature: from -20 ~ 60°C for different Industrial application
- Enhanced Security: Intel® PTT with TPM 2.0 (Optional dTPM)

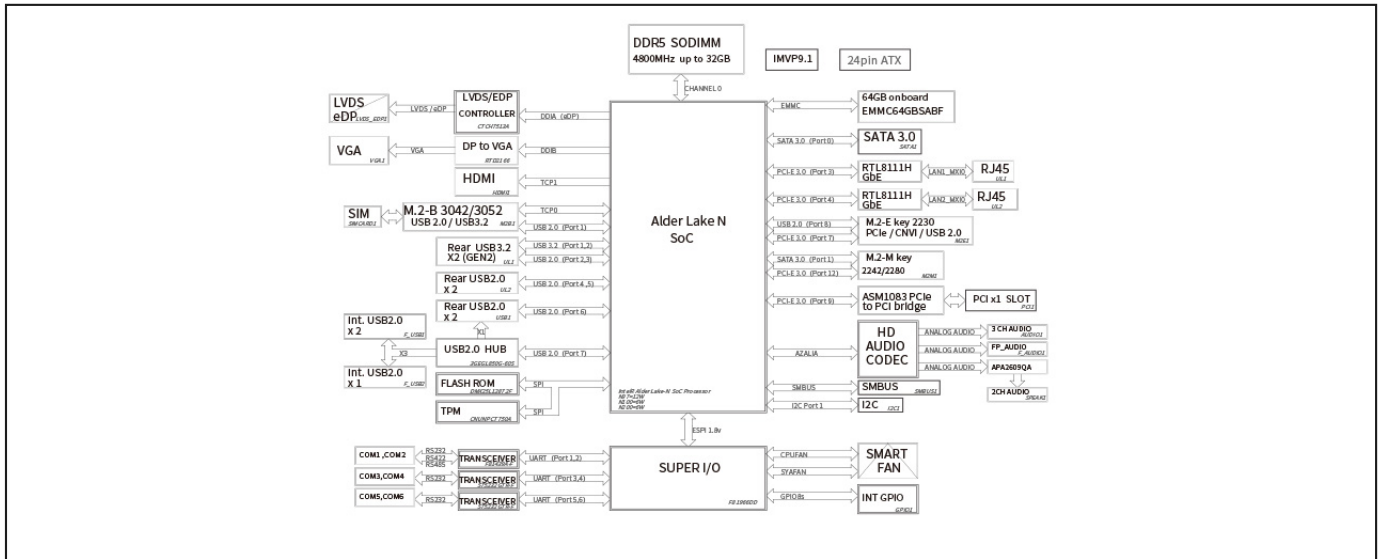
Packing List

PART NUMBER	DESCRIPTION	QTY
JNUC-ADN1	JNUC-ADN1 MB	1
F07-FNJNU93-F	CPU Hearsink with fan	1
G01-COM-H2M22-1F	COM cable	1
G01-PW4PS-2S-322F	SATA power cable	1
G01-SATA3-BL-1F	SATA cable	1

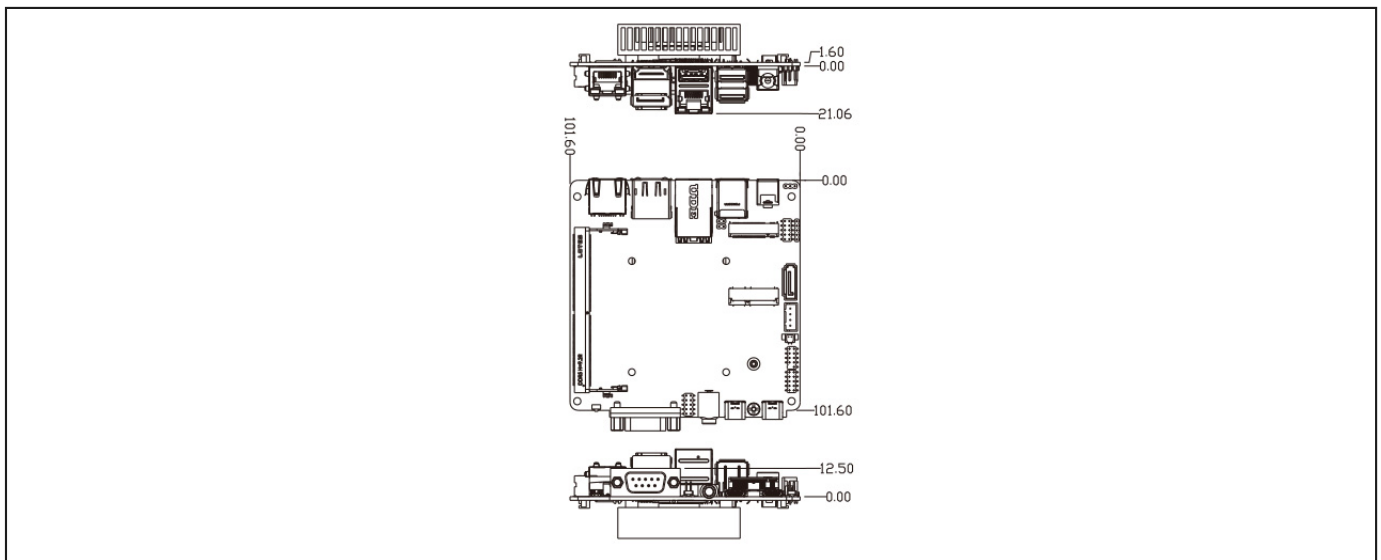
Specifications

SYSTEM	
MB FORM FACTOR	NUC
CPU	Onboard Intel® Processor N97 (Formerly Alder Lake-N, TDP 12W)
CHIPSET	Intel® SoC
MEMORY	1 x DDR5 4800MHz, Single Channel SO-DIMM, up to 32GB
BIOS	UEFI
WAKE ON LAN	Yes
WATCHDOG TIMER	255 Levels
SECURITY	TPM2.0 (dTPM, Optional) Intel® PTT (Integrated fTPM)
RTC BATTERY	Lithium Battery
DIMENSION (W X D)	101.0 (W) x 101 (D) mm (4.0" x 4.0")
OS SUPPORT	Windows® 11 (64bit) Windows® 10 (64bit) Linux
POWER	
POWER REQUIREMENT	DC-in 12-19V
POWER ON MODE	AT / ATX
CONNECTOR	DC Jack
DISPLAY	
GPU	Intel® UHD Graphics
Type C DP	2 x Type C DP1.4 (Max Resolution: 4096 x 2160@60Hz)
DP	1 x DP1.4 (Max Resolution: 4096 x 2160@60Hz)
HDMI	1 x HDMI 2.0 (Max Resolution: 4096 x 2160@60Hz)
MULTIPLE DISPLAY	Support 3 Displays
AUDIO	
CODEC	Realtek codec
COMBO	1 x Combo Audio Jack for Line-Out / Mic-In
LAN	
ETHERNET	2 x RJ45 for Intel® I226-V 2.5GbE
USB PORT	
USB	2 x USB 3.2 Gen 2x1 (10Gbps, Formerly USB 3.1 Gen 2) 2 x USB 3.2 Gen 2 Type-C (10Gbps) Support DP ALT Mode 1 x USB 2.0 Internal Header for 2 x USB 2.0
SERIAL PORT	
COM	1 x DB-9 for RS-232/422/485
INTERNAL I/O	
GPIO	8-Bit
SMBUS	Yes
FAN	1 x CPU Smart Fan
FRONT PANEL	Power LED Power On/Off
ADDITIONAL	1 x Chassis intrusion 1 x AT Mode Selection
STORAGE	
SATA	1 x SATA III 1 x SATA Power Connector
eMMC	eMMC 64GB (optional)
EXPANSION	
M.2	1 x M-Key 2260/2280 (SATA3/PCIe 3.0 x2) Support NVMe 1 x E-Key 2230 (USB 2.0/PCIe 3.0 x1) Support CNVio
ENVIRONMENT & CERTIFICATION	
SHOCK	15G, 11ms duration
VIBRATION	1 Grms/ 5- 500Hz/ Operation
OPERATING TEMPERATURE	-20°C ~ 60°C (-4°F ~ 140°F)
STORAGE TEMPERATURE	-20°C ~ 85°C (-4°F ~ 185°F)
OPERATING HUMIDITY	10 ~ 90% relative humidity, non-condensing
CERTIFICATION	CE/FCG Class A

Block Diagram



Dimension Unit: mm



Ordering Information

PART NUMBER	JNUC-ADN1-N97000-A1	JNUC-ADN1-N97002-A1	JNUC-ADN1-N97004-A1	JNUC-ADN1-N97008-A1
CPU	Intel® Processor N97	Intel® Processor N97	Intel® Processor N97	Intel® Processor N97
SECURITY	Intel® PTT (fTPM)	Intel® PTT (fTPM) & TPM 2.0 (dTPM)	Intel® PTT (fTPM)	Intel® PTT (fTPM) & TPM 2.0 (dTPM)
POWER REQUIREMENT	DC-in 12V-19V	DC-in 12V-19V	DC-in 12V-19V	DC-in 12V-19V
GPU	Intel® UHD Graphics	Intel® UHD Graphics	Intel® UHD Graphics	Intel® UHD Graphics
TYPE C DP	2 x Type C DP	2 x Type C DP	2 x Type C DP	2 x Type C DP
DP	2 x DP	2 x DP	2 x DP	2 x DP
HDMI	1 x HDMI	1 x HDMI	1 x HDMI	1 x HDMI
MULTIPLE DISPLAY	Support 3 Displays	Support 3 Displays	Support 3 Displays	Support 3 Displays
ETHERNET	2 x 2.5GbE	2 x 2.5GbE	2 x 2.5GbE	2 x 2.5GbE
USB	2 x USB 3.2 Gen.2	2 x USB 3.2 Gen.2	2 x USB 3.2 Gen.2	2 x USB 3.2 Gen.2
USB	2 x USB3.2 Gen 2 Type C	2 x USB3.2 Gen 2 Type C	2 x USB3.2 Gen 2 Type C	2 x USB3.2 Gen 2 Type C
USB	3 x USB 2.0	3 x USB 2.0	3 x USB 2.0	3 x USB 2.0
COM	1 x RS-232/422	1 x RS-232/422	1 x RS-232/422	1 x RS-232/422
SATA	1 x SATA III	1 x SATA III	1 x SATA III	1 x SATA III
eMMC			eMMC 64GB	eMMC 64GB
M.2	1 x M-Key 2260/2280	1 x M-Key 2260/2280	1 x M-Key 2260/2280	1 x M-Key 2260/2280
M.2	1 x E-key 2230	1 x E-key 2230	1 x E-key 2230	1 x E-key 2230
OPERATING TEMPERATURE	-20°C - 60°C (-4°F - 140°F)	-20°C - 60°C (-4°F - 140°F)	-20°C - 60°C (-4°F - 140°F)	-20°C - 60°C (-4°F - 140°F)