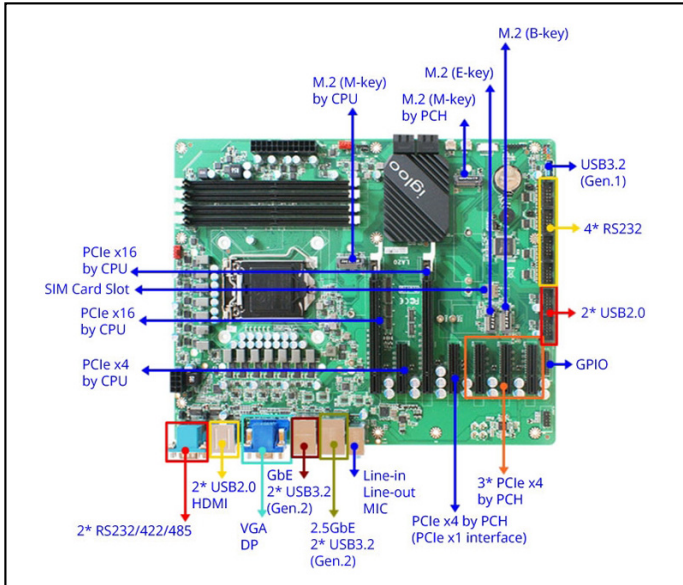


ATX motherboard with Intel® LGA1200 10/11th Gen Socket Processor and Q470 Chipset, supporting 4 SATA III for RAID functionality



Features

- Powered by Intel® LGA1200 10/11th Gen Socket Processor (Comet Lake-S, TDP 125W)
- High-speed memory with 4 DDR4 2933MHz DIMMs supporting up to 128GB
- Versatile display outputs with 1 HDMI, 1 DP, and 1 VGA supporting 4K resolution
- Dual LAN featuring 1 Intel® 2.5GbE and 1 Intel® GbE for reliable networking
- Flexible storage options with 4 SATA III (6Gb/s) supporting RAID 0/1/5/10 and 2 M.2 M-key slots for NVMe
- Additional expansion with 2 PCIe x16, 4 PCIe x4, 1 PCIe x1, 1 M.2 E-key, 1 M.2 B-key, and 1 SIM card slot
- Supports 2 CPU fans and 2 system fan headers for optimized cooling
- Comprehensive I/O with 11 USB ports (including 4 USB 3.2 Gen2), 6 COM ports, and 1 16-bit GPIO

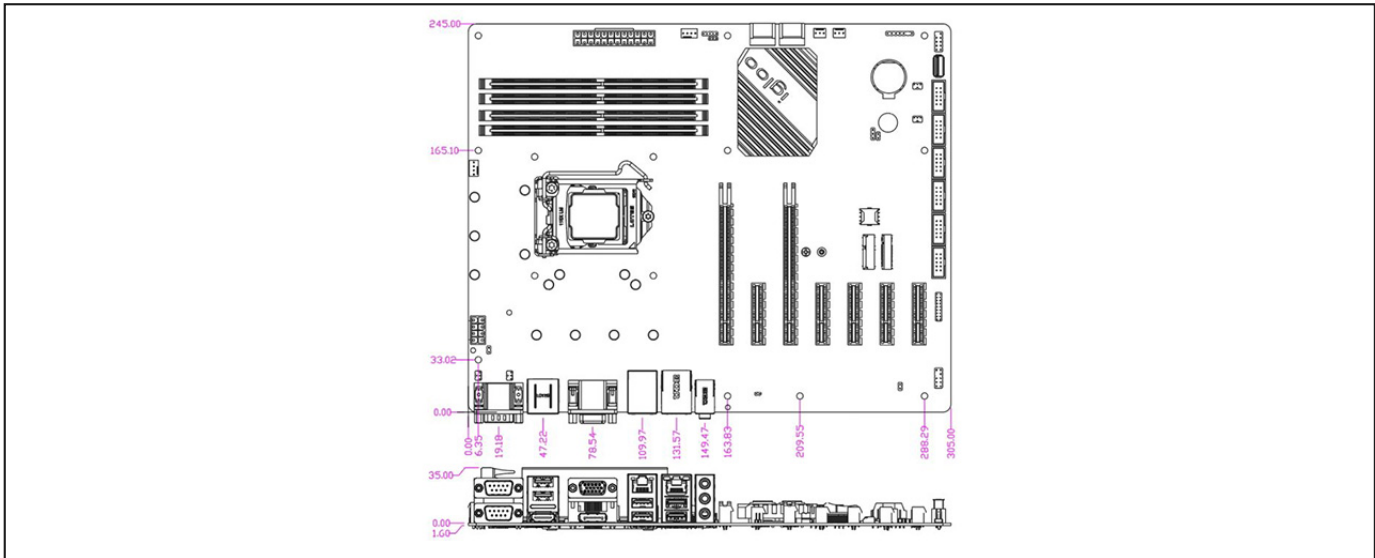
Packing List

PART NUMBER	DESCRIPTION	QTY
JLA20-10S	JLA20-10S M/B	1
F04-MB-088-F	LA20 I/O Shield	1
G01-COM9X2-30A-1F	COM Cable	2
G01-SATA3-BL-1F	SATA Cable	2

Specifications

SYSTEM	
MB FORM FACTOR	ATX
CPU	Intel® LGA1200 10/11th Gen Socket Processor (Formerly Comet Lake-S, TDP 125W)
CHIPSET	Intel® Q470E
MEMORY	4 x DDR4 2933MHz Long DIMM up to 128GB
BIOS	AMI 256Mb Flash ROM
WATCHDOG TIMER	255 Levels
DIMENSION (W X D)	305.0 (W) x 244.0 (D) mm (12" x 9.6")
OS SUPPORT	Windows® 11 (64bit) Windows® 10 (64bit) Linux
POWER	
POWER REQUIREMENT	ATX Power Supply
POWER ON MODE	AT / ATX
CONNECTOR	24+8-pin ATX PWR
DISPLAY	
GPU	Intel® HD Graphics
DP	1 x DP 1.2 (Max. Resolution: 4096 x 2304@60Hz)
HDMI	1 x HDMI 1.4 (Max Resolution: 4096 x 2160@30Hz)
VGA	1 x VGA (Max Resolution: 1920 x 1080 @60Hz)
AUDIO	
Line-in	1 x Audio Jack for Line-In
Line-out	1 x Audio Jack for Line-Out
MIC-in	1 x Audio Jack for MIC-In
LAN	
ETHERNET	1 x RJ45 for Intel® I226-V 2.5GbE 1 x RJ45 for Intel® I219-LM GbE
USB PORT	
USB	4 x USB 3.2 Gen 2x1 (10Gbps, Formerly USB 3.1 Gen 2) 2 x USB 2.0 Internal Header for 1 x USB 3.2 Internal Header for 4 x USB 2.0
SERIAL PORT	
COM	2 x DB-9 for RS-232/422/485 with 5V/12V header Internal Header for 2 x RS-232 Internal Header for 2 x RS-232 with 5V/12V header
INTERNAL I/O	
GPIO	16 bit GPIO (5V)
SMBUS	Yes
I2C	Yes
FAN	2 x CPU Fan Header (Smart Fan) 2 x System Fan Header
STORAGE	
ADDITIONAL	1 x PS/2 1 x Chassis Intrusion 1 x AT Mode Selection
SATA	4 x SATA III
RAID	RAID 0, 1, 5, 10
EXPANSION	
M.2	1 x B-Key 3042/3052 (USB 3.2/PCIe x1) Support 4G/5G Module (by PCH) 1 x E-Key 2230 (USB2.0) Support CNVi (by PCH) 2 x M-key 2242/2280 (M2M By PCH, M2M1 Only 11th CPU) support NVMe
PCI-E	1 x PCIe x16 or 2 x PCIe x8 4 x PCIe x4 (by CPU/PCH) 1 x PCIe x1
SIM	1 x SIM Card Slot
ENVIRONMENT & CERTIFICATION	
SHOCK	15G, 11ms duration
VIBRATION	1 Grms/ 5- 500Hz/ Operation
OPERATING TEMPERATURE	0°C - 60°C (32°F - 140°F)
STORAGE TEMPERATURE	-20°C - 85°C (-4°F - 185°F)
OPERATING HUMIDITY	10 - 90% Relative Humidity, Non-condensing
CERTIFICATION	CE/FCC Class A
ESG DECLARATION	EU RoHS China RoHS REACH

Dimension Unit: mm



Ordering Information

PART NUMBER	JLA20-10S
CPU	Intel® Socket LGA1200 CPU
POWER REQUIREMENT	ATX Power Supply
GPU	Intel® HD Graphics
DP	1 x DP
HDMI	1 x HDMI
VGA	1 x VGA
ETHERNET	1 x GbE
ETHERNET	1 x 2.5GbE
USB	4 x USB 3.2 Gen 2
USB	1 x USB 3.2
USB	6 x USB 2.0
COM	2 x RS-232/422/485
COM	4 x RS-232
SATA	4 x SATA III
M.2	2 x M-Key 2242/2280
M.2	1 x B-Key 3042/3052
M.2	1 x E-Key 2230
PCIe	1 x PCIe x16 or 2 x PCIe x8
PCIe	4 x PCIe x4
PCIe	1 x PCIe x1
SIM	1 x SIM Card Slot
OPERATING TEMPERATURE	0°C - 60°C (32°F - 140°F)