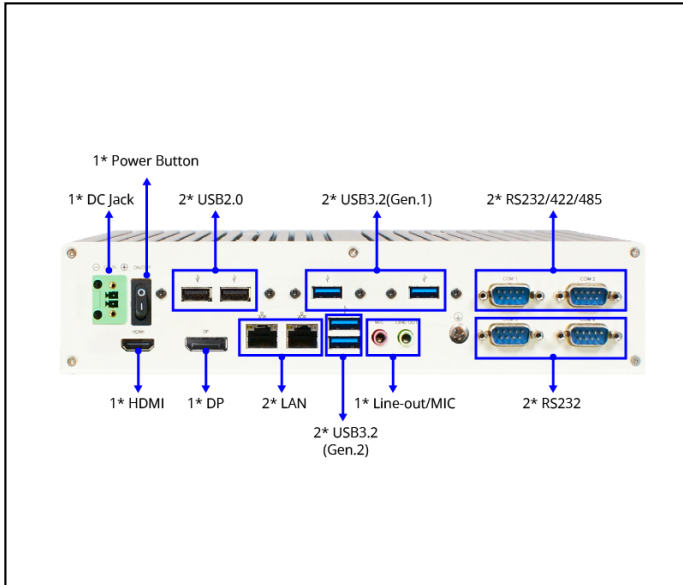


HPC238SC-FPH610L

23.8" TFT Fanless Touch Panel Computer with Intel® H610 Chip, Support LGA1700 CPU



Features

- **23.8" TFT LCD: 300 nits brightness with LED backlight**
- **10-Point Multi-Touch: Capacitive touch functionality for enhanced interaction**
- **Support Intel® LGA1700 12/13/14th Gen Socket Processor (Alder Lake-S, TDP 35W)**
- **High-Resolution Output: Additional HDMI and DP ports for 4K and 8K resolution**
- **Flexible Installation: Designed for wall mount, panel mount, and VESA mount**
- **Optional Security: TPM 2.0 support**
- **Power Input: Supports 12-19V DC with EOS and OVP design**

Packing List

PART NUMBER	DESCRIPTION	QTY
HPC238SC-FPH610L	HPC238SC-FPH610L	1
J05-ANT-GX57245-F	Antenna 2.4G/5G xDBi	2
L01AS056-F	Adapter 19V/6.32A 120W FSP	1
Change according to shipping area	POWER-CORD (region specific)	1
LCSC406M40B-F	VESA Screws	4

Optional Accessory

PART NUMBER	DESCRIPTION	QTY
HPC-HBD	Mounting Clips	10

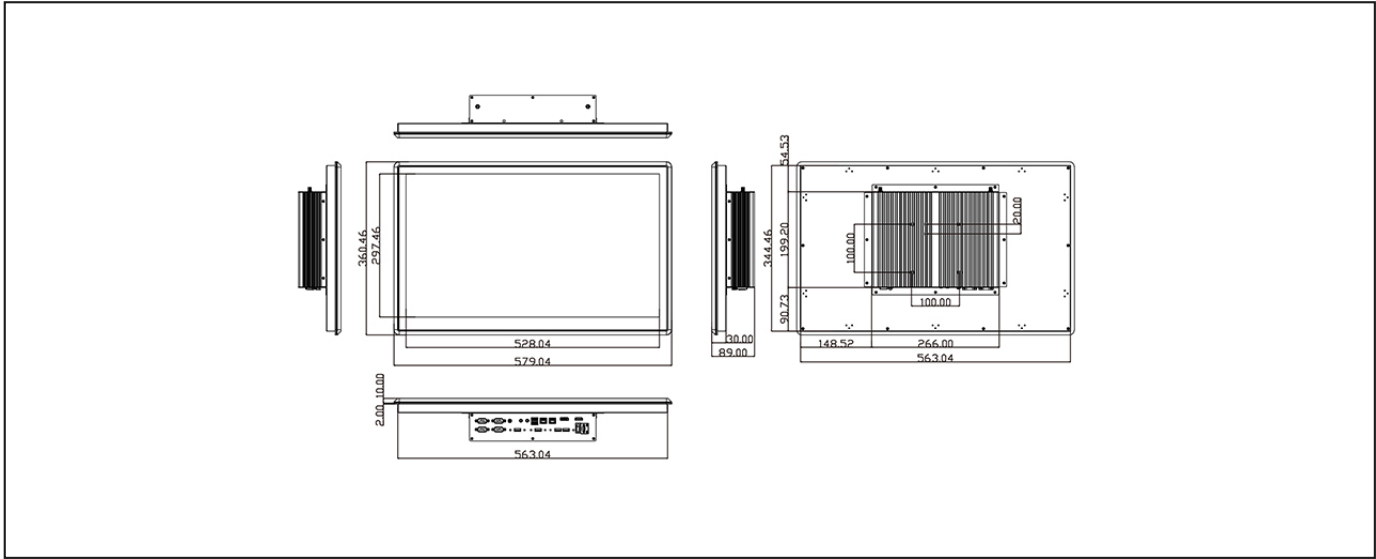
Specifications

SYSTEM	
CPU	Intel® LGA1700 12/13/14th Gen Socket Processor (Formerly Alder Lake-S, TDP 35W)
CHIPSET	Intel® H610
MEMORY	2 x DDR4 3200MHz, Dual Channel SO-DIMM, up to 64GB
WATCHDOG TIMER	255 Levels
SECURITY	TPM2.0 (Optional)
OS SUPPORT	Windows® 11 (64bit) Windows® 10 (64bit) Linux
POWER	
POWER REQUIREMENT	DC-in 12-19V
DISPLAY	
DP	1 x DP1.4 (Max Resolution: 7680 x 4320@60Hz)
HDMI	1 x HDMI 2.0 (Max Resolution: 4096 x 2160@60Hz)
LAN	
ETHERNET	2 x RJ45 for Realtek® RTL8111H GbE
STORAGE	
I/O	2 x USB 3.2 Gen 2 2 x USB 3.2 Gen 1 2 x USB 2.0 2 x RS-232/422/485 2 x RS-232 1 x HDMI 1 x DP 1 x Line-out 1 x MIC-in 2 x RJ45 1 x Phoenix Terminal Block 12-19V DC input 1 x Power Button
SATA	1 x 2.5" SATA 6Gb/s internal drive bay (only Support 2.5" HDD with a height ≤ 10mm)
EXPANSION	
M.2	1 x M-Key 2242/2280 (PCIe 3.0 x4) 1 x E-Key 2230 (PCIe x1/USB 2.0) Support CNVio
ENVIRONMENT & CERTIFICATION	
MOUNTING	Wall mount, Panel Mount, VESA Mount
DIMENSIONS (W x H x D)	579.04 (W) x 360.46 (D) x 89.00 (H) mm (17.37" x 10.81" x 2.67")
CONSTRUCTION	Aluminum Front Bezel + Metal Chassis
DISPLAY TYPE	23.8" TFT-LCD, LED
MAX. RESOLUTION	1920 x 1080
MAX. COLORS	16.7M Colors (6 bit for R,G,B)
LUMINANCE	300 nits
VIEWING ANGLE	178° (H), 178° (V)
BACK LIGHT	LED
TYPE	Projected Capacitive Type
LIGHT TRANSMISSION	85%
VIBRATION	1 Grms/ 5- 500Hz/ Operation
OPERATING TEMPERATURE	-10°C - 50°C (14°F - 122°F)
STORAGE TEMPERATURE	-20°C - 70°C (-4°F - 158°F)
STORAGE HUMIDITY	10 - 90% @40°C, Non-condensing
CERTIFICATION	CE/FCC Class A

HPC238SC-FPH610L



Dimension Unit: mm



Ordering Information

PART NUMBER	HPC238SC-FPH610L	HPC238SC-FPH610L2	HPC238SCW-FPH610L
CPU	Intel® Socket LGA1700 CPU	Intel® Socket LGA1700 CPU	Intel® Socket LGA1700 CPU
SECURITY		TPM2.0	
POWER REQUIREMENT	DC-in 12-19V	DC-in 12-19V	DC-in 12-19V
DP	1 x DP	1 x DP	1 x DP
HDMI	1 x HDMI	1 x HDMI	1 x HDMI
ETHERNET	2 x GbE	2 x GbE	2 x GbE
I/O	2 x USB 3.2 Gen 2	2 x USB 3.2 Gen 2	2 x USB 3.2 Gen 2
I/O	2 x USB 3.2 Gen 1	2 x USB 3.2 Gen 1	2 x USB 3.2 Gen 1
I/O	2 x USB 2.0	2 x USB 2.0	2 x USB 2.0
I/O	2 x RS-232/422/485	2 x RS-232/422/485	2 x RS-232/422/485
I/O	2 x RS-232	2 x RS-232	2 x RS-232
I/O	1 x DC Jack	1 x DC Jack	1 x DC Jack
I/O	1 x DP	1 x DP	1 x DP
I/O	1 x HDMI	1 x HDMI	1 x HDMI
I/O	2 x RJ45	2 x RJ45	2 x RJ45
I/O	1 x Line-out	1 x Line-out	1 x Line-out
I/O	1 x MIC-in	1 x MIC-in	1 x MIC-in
I/O	1 x Power Button	1 x Power Button	1 x Power Button
SATA	1 x 2.5" SATA Bay	1 x 2.5" SATA Bay	1 x 2.5" SATA Bay
M.2	1 x M-Key 2242/2280	1 x M-Key 2242/2280	1 x M-Key 2242/2280
M.2	1 x E-Key 2230	1 x E-Key 2230	1 x E-Key 2230
OTHER			Wifi
OPERATING TEMPERATURE	-10°C - 50°C (14°F - 122°F)	-10°C - 50°C (14°F - 122°F)	-10°C - 50°C (14°F - 122°F)