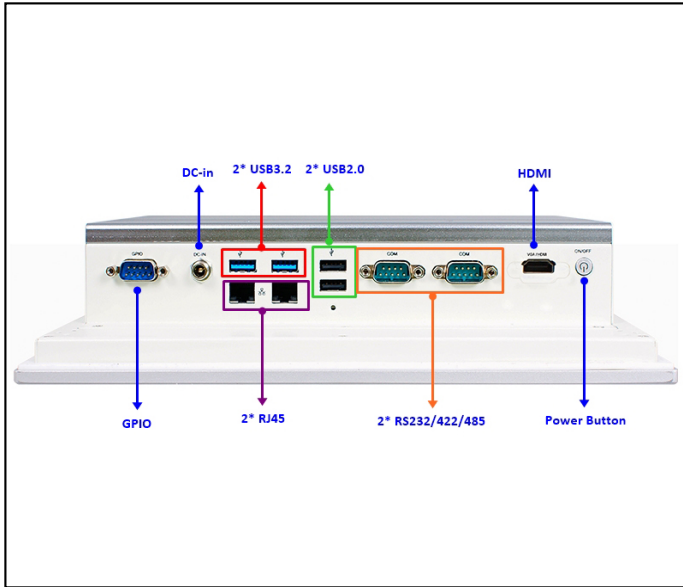


HPC104GR-HD6412



10.4" Fanless Touch Panel PC with Intel® Elkhart Lake J6412 Quad-Core Processor



Features

- 10.4" 400 nits TFT LCD with LED backlight, Featuring Durable 5-Wire Resistive Touch for precise interaction
- Power by Intel® Celeron® Processor J6412 (Formerly Elkhart Lake, TDP 10W)
- Open Frameless Design for versatile integration into various environments
- Supports Wall Mount, Panel Mount, and VESA Mount for space-efficient setups
- Equipped with Lockable USB 2.0 and DC Jack to ensure secure connections in demanding conditions
- Wide DC input support (12-28V) with built-in EOS and OVP design for Stable and Reliable Performance
- Optional TPM 2.0 (HPC104GR-HD6412T2) for data protection and secure operations

Packing List

PART NUMBER	DESCRIPTION	QTY
HPC104GR-HD6412	HPC104GR-HD6412	1
-	Power Cord	1
-	60W AC-DC Adapter	1

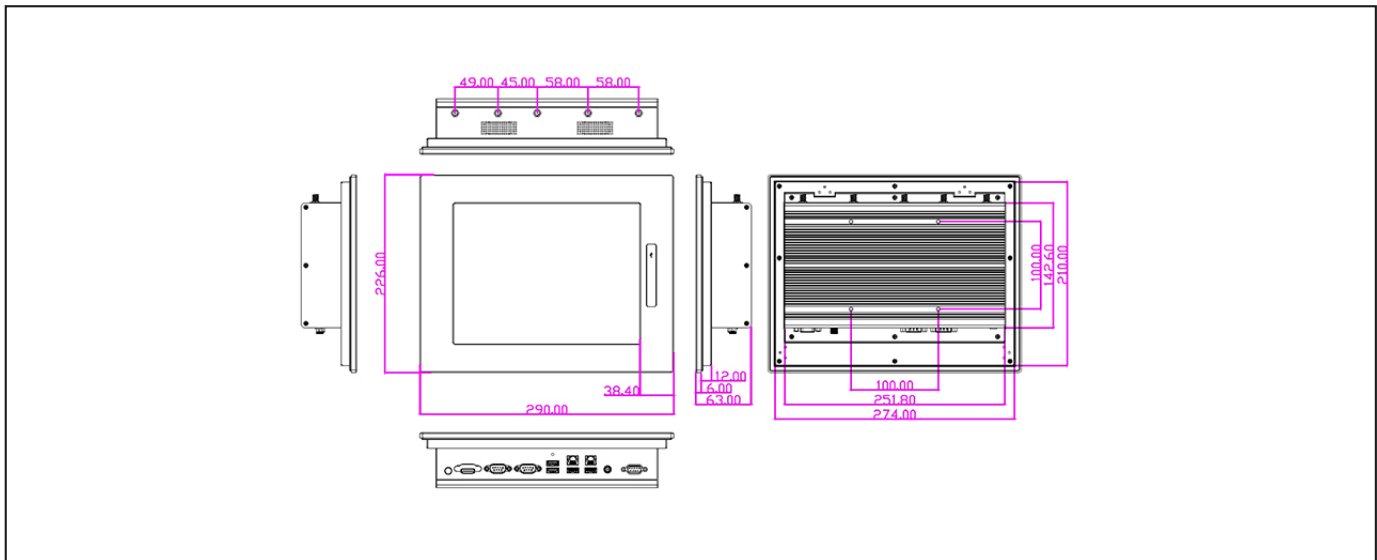
Optional Accessory

PART NUMBER	DESCRIPTION	QTY
HPC-HBD	Mounting Clips	4

Specifications

SYSTEM	
CPU	Onboard Intel® Celeron® Processor J6412 (Formerly Elkhart Lake, TDP 10W)
MEMORY	1 x DDR4 3200MHz, Single Channel SO-DIMM, up to 32GB
BIOS	SPI 128MB Flash ROM
WATCHDOG TIMER	255 Levels
SECURITY	TPM2.0 (Optional)
OS SUPPORT	Windows® 11 (64bit) Windows® 10 (64bit) Linux
POWER	
POWER REQUIREMENT	DC-in 12-28V 60W Adapter: AC100-240V, DC12V/5.0A
POWER CONSUMPTION	29.5W
DISPLAY	
HDMI	1 x HDMI 2.0 (Max Resolution: 3840 x 2160@60Hz)
AUDIO	
AMPLIFIER	2 x 3W
LAN	
ETHERNET	2 x RJ45 for Intel® I226-V 2.5GbE
SYSTEM I/O	
I/O	2 x USB 3.2 Gen 1 4 x USB 2.0 2 x RS-232/422/485 1 x HDMI 2 x RJ45 1 x 8bit GPIO 1 x Locking Jack 12-28V DC input 1 x Power Button
STORAGE	
SATA	1 x 2.5" SATA bay
EXPANSION	
M.2	1 x M-Key 2242/2280 (SATA) Support NVMe 1 x E-Key 2230 for WiFi/BT Module 1 x B-Key 3042/3052 for 4G/5G Module
MECHANICAL	
MOUNTING	Wall mount, Panel Mount, VESA Mount
DIMENSIONS (W x D x H)	400.0 (W) x 335.0 (D) x 74.0 (H) mm
CONSTRUCTION	Open Frame
LCD	
DISPLAY TYPE	10.4" TFT-LCD, LED
MAX. RESOLUTION	800 x 600
MAX. COLORS	262K Display Color
LUMINANCE	400 nits
VIEWING ANGLE	130° (H), 140° (V)
BACK LIGHT	LED
TOUCH SCREEN	
TYPE	5 Wires Analog Resistive Type
LIGHT TRANSMISSION	80%
ENVIRONMENT & CERTIFICATION	
SHOCK	15G, 11ms duration
VIBRATION	1 Grms/ 5- 500Hz/ Operation
OPERATING TEMPERATURE	-10°C - 60°C (14°F - 140°F)
STORAGE TEMPERATURE	-20°C - 70°C (-4°F - 158°F)
CERTIFICATION	CE/FCC Class A

Dimension Unit: mm



Ordering Information

PART NUMBER	HPC104GR-HD6412	HPC104GR-HD6412T2
CPU	Intel® Celeron® J6412	Intel® Celeron® J6412
SECURITY		TPM2.0
POWER REQUIREMENT	DC-in 12-28V	DC-in 12-28V
GPU	Intel® UHD Graphics	Intel® UHD Graphics
HDMI	1 x HDMI	1 x HDMI
ETHERNET	2 x 2.5GbE	2 x 2.5GbE
I/O	2 x USB 3.2 Gen 1	2 x USB 3.2 Gen 1
I/O	4 x USB 2.0	4 x USB 2.0
I/O	2 x RS-232/422/485	2 x RS-232/422/485
I/O	1 x HDMI	1 x HDMI
I/O	2 x RJ45	2 x RJ45
I/O	1 x GPIO	1 x GPIO
I/O	1 x DC-in (Lockable)	1 x DC-in (Lockable)
I/O	1 x Power Button	1 x Power Button
SATA	1 x 2.5" SATA Bay	1 x 2.5" SATA Bay
M.2	1 x M-Key 2242/2280	1 x M-Key 2242/2280
M.2	1 x E-Key 2230	1 x E-Key 2230
M.2	1 x B-Key 3042/3052	1 x B-Key 3042/3052
OPERATING TEMPERATURE	-10°C - 60°C (14°F - 140°F)	-10°C - 60°C (14°F - 140°F)