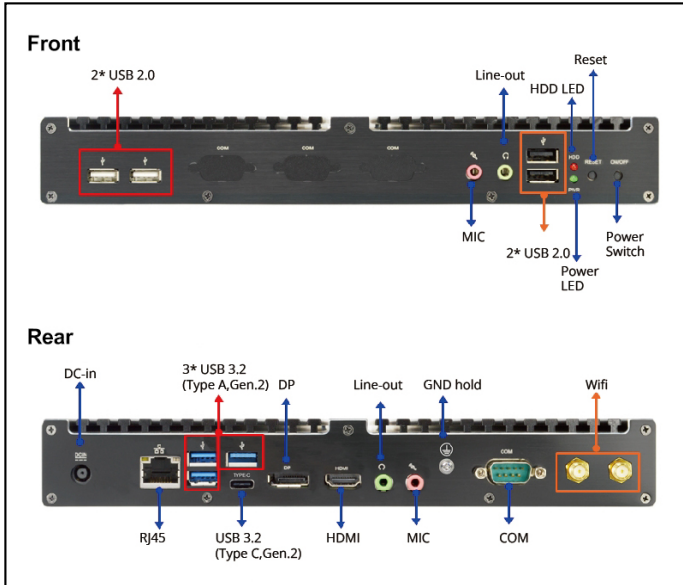


# HBJC511I09-H470-B



Mini-ITX

Compact Fanless System with Intel® LGA1200 Socket 10th/11th Gen Processor and H470 Chipset



## Features

- Powered by Intel® LGA1200 10th/11th Gen Socket Processor (Comet Lake-S, TDP 35W)
- Dual Display Support: 1 x DP and 1 x HDMI for 4K Resolution
- Comprehensive I/O: 3 x USB 3.2 Gen2, 1 x USB 3.2 (Type-C), 4 x USB 2.0, 1 x GbE, 1 x COM
- Storage and Expansion: 1 x SATA III, 1 x M.2 M-key, and 1 x M.2 E-key
- Supports Wall Mount for Easy Installation
- Optional TPM 2.0 Support

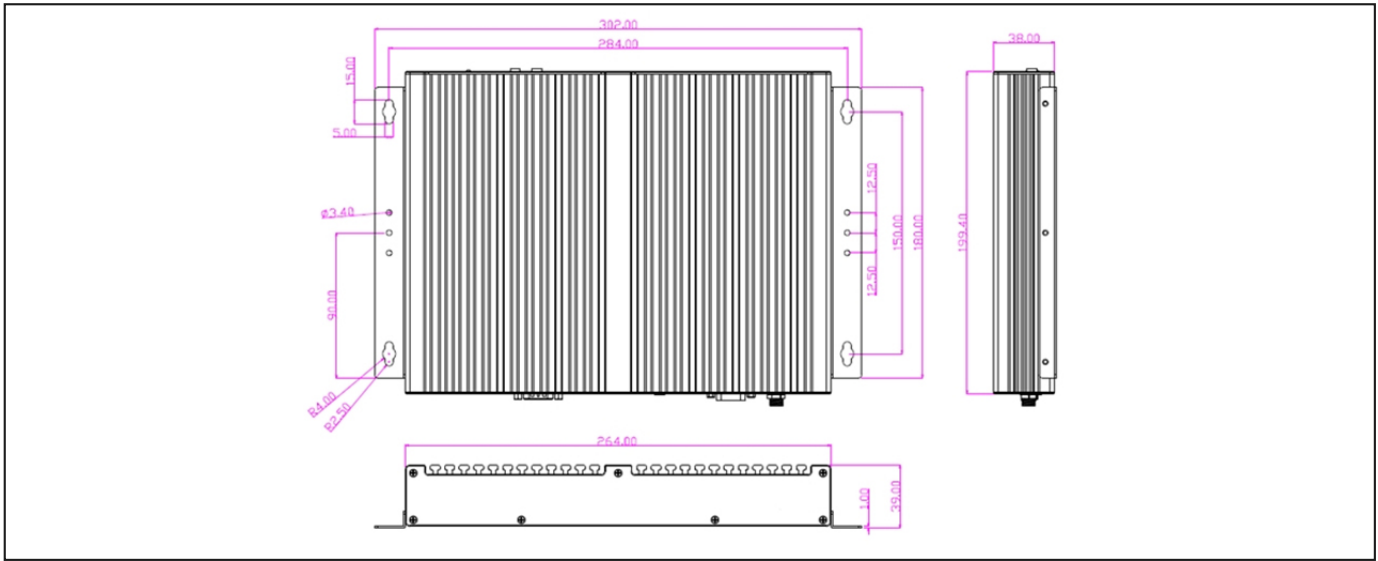
## Packing List

PART NUMBER	DESCRIPTION	QTY
HBJC511I09 Series Barebone	HBJC511I09 Series Barebone	1
L01AS055-F	Adapter 19V 120W	1
Change according to shipping area	Power cord	1
HCS5XXMWM01B-1F	JC5XX Wall mount	1
LC5CHBJC3XX-F	Screw Pack	1

## Specifications

SYSTEM	
MB FORM FACTOR	Performance
CPU	Intel® LGA1200 10/11th Gen Socket Processor (Formerly Comet Lake-S, TDP 35W)
CHIPSET	Intel® H470
MEMORY	2 x DDR4 2666/2400MHz SO-DIMM up to 64GB
BIOS	AMI Flash ROM
SECURITY	TPM2.0 (Optional)
OS SUPPORT	Windows® 11 (64bit) Windows® 10 (64bit) Linux
POWER	
POWER REQUIREMENT	DC-in 12-19V 120W Adapter: AC90-240V, DC19V/6.32A
DISPLAY	
GPU	Intel® HD Graphics
DP	1 x DP1.4a (Max Resolution: 4096 x 2304@60Hz)
HDMI	1 x HDMI 1.4 (Max Resolution: 4096 x 2160@30Hz)
LAN	
ETHERNET	1 x RJ45 for Intel® I219-V GbE
SYSTEM I/O	
REAR PANEL I/O	3 x USB 3.2 Gen 2 1 x USB 3.2 Gen 1 Type C 1 x HDMI 1 x DP 1 x RJ45 1 x RS-232/422/485 1 x Line-out 1 x MIC-in 1 x DC Jack 2 x WIFI Antenna Holes
FRONT PANEL I/O	4 x USB 2.0 1 x Line-out 1 x MIC-in 1 x Power Button 1 x Reset Button 1 x Power LED 1 x HDD LED
STORAGE	
SATA	1 x 2.5" SATA III 6Gb/s internal drive bay
EXPANSION	
M.2	1 x M-Key 2242/2260/2280 (SATA/PCIe interface) 1 x E-Key 2230 (CNVi/PCIe x1/USB2.0) Support Wifi/BT Module
OTHERS	
OTHER	WIFI (Optional)
MECHANICAL	
MOUNTING	Wall Mount
DIMENSIONS (W x H x D)	264.0 (W) x 199.4 (D) x 38.0 (H) mm
ENVIRONMENT & CERTIFICATION	
SHOCK	15G, 11ms duration
VIBRATION	1 Grms/ 5- 500Hz/ Operation
OPERATING TEMPERATURE	0°C - 50°C (32°F - 122°F)
STORAGE TEMPERATURE	-20°C - 70°C (-4°F - 158°F)
OPERATING HUMIDITY	10 - 90% Relative Humidity, Non-condensing
CERTIFICATION	CE/FCC Class A LVD
ESG DECLARATION	EU RoHS China RoHS ErP

## Dimension Unit: mm



## Ordering Information

PART NUMBER	HBJC511I09-H470-B	HBJC511I09I-H470-B
CPU	Intel® Socket LGA1200 CPU	Intel® Socket LGA1200 CPU
POWER REQUIREMENT	DC-in 12-19V	DC-in 12-19V
GPU	Intel® HD Graphics	Intel® HD Graphics
DP	1 x DP	1 x DP
HDMI	1 x HDMI	1 x HDMI
ETHERNET	1 x GbE	1 x GbE
I/O	3 x USB 3.2 Gen 2	3 x USB 3.2 Gen 2
I/O	1 x USB 3.2 Gen 1 Type C	1 x USB 3.2 Gen 1 Type C
I/O	4 x USB 2.0	4 x USB 2.0
I/O	1 x COM	1 x COM
I/O	2 x Line-out	2 x Line-out
I/O	2 x MIC-in	2 x MIC-in
I/O	1 x DC Jack	1 x DC Jack
I/O	1 x Power Button	1 x Power Button
I/O	1 x Reset	1 x Reset
I/O	1 x Power LED	1 x Power LED
I/O	1 x HDD LED	1 x HDD LED
I/O	2 x SMA	2 x SMA
SATA	1 x 2.5" SATA Device	1 x 2.5" SATA Device
M.2	1 x M-Key 2242/2260/2280	1 x M-Key 2242/2260/2280
M.2	1 x E-Key 2230	1 x E-Key 2230
OTHER		WiFi
OPERATING TEMPERATURE	0°C - 50°C (32°F - 122°F)	0°C - 50°C (32°F - 122°F)