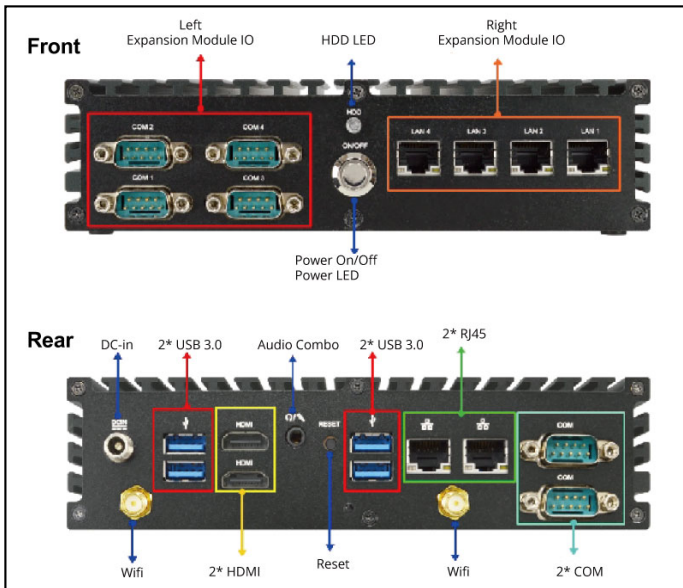


## Compact Fanless Embedded System with Intel® Processor J3455



## Features

- Powered by Intel® Celeron® Processor J3455 (Apollo Lake, TDP 10W)
- Dual Display Support: 2 HDMI outputs for flexible 4K connectivity
- Comprehensive I/O: 4 USB 3.0, 2 COM, 2 RJ45, and 1 audio combo for MIC and Line Out
- Two Expansion I/O Doors: Supports flexible daughter card integration
- Flexible Daughter Card: Options for 8 LAN, 8 COM, 4 USB 3.0, or 32-bit GPIO ports
- Versatile Mounting Options: Wall mount and DIN rail clip for easy installation

## Packing List

PART NUMBER	DESCRIPTION	QTY
HBJC390F841V Series	HBJC390F841V Series Barebone	1
L01AS052-F	Lockable Adapter 12V_60W	1
Change according to shipping area	Power cord	1
HCS370MWM01B-2-F	JC37x Wall mount bracket / Black color	1
LCSCHBJC3XX-F	Screw pack	1
HCS3XXDINRAILPS-F	Din Rail Clip	1

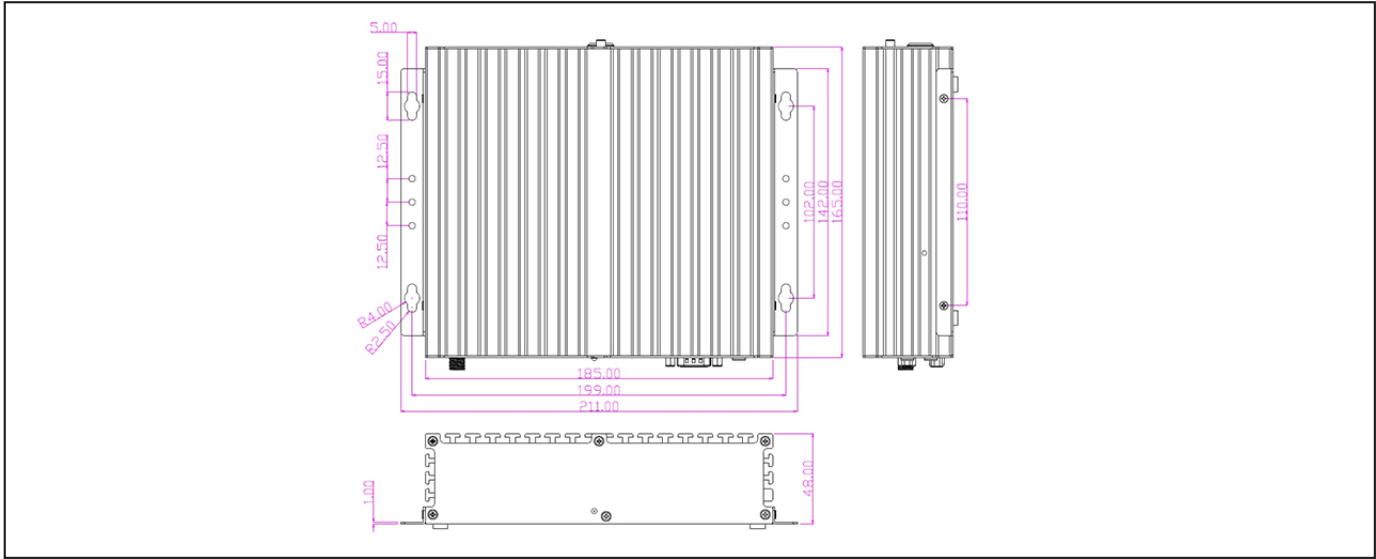
## Optional Accessory

PART NUMBER	DESCRIPTION	QTY
HNSCOMWFAWCB161HF	Mini PCIe ac Wi-Fi card (Wi-Fi only)	1
J05-ANT-GX57245-F	Antenna2G4/5G 2.8dBi (Wi-Fi only)	1
J2ADPIE1LAN4R20	Intel I211AT Giga LAN x 4 Daughter Board (by product model)	1
J2ADPIE1G16IR10	PCIe x1 16bits GPIO Daughter Card (by product model)	1
J2ADPIEU304R10	PCIe x1 USB3.0 4 x Ports Daughter Card (by product model)	1
J2ADPIE1COM4R20	PCIe 4xCOM Ports Daughter Board (by product model)	1

## Specifications

SYSTEM	
MB FORM FACTOR	Performance
CPU	Onboard Intel® Celeron® Processor J3455 (Formerly Apollo Lake, TDP 10W)
CHIPSET	Intel® SoC
MEMORY	1 x DDR3L 1866MHz SO-DIMM up to 8GB
BIOS	AMI Flash ROM
SECURITY	TPM2.0 (Optional)
OS SUPPORT	Windows® 10 (64bit) Linux
POWER	
POWER REQUIREMENT	DC-in 12V 60W Adapter: AC90-240V, DC12V/5.0A
DISPLAY	
GPU	Intel® HD Graphics
HDMI	1 x HDMI 1.4 (Max Resolution: 3840 x 2160@30Hz)
LAN	
ETHERNET	2 x RJ45 for Intel® I226-V 2.5GbE
SYSTEM I/O	
REAR PANEL I/O	4 x USB 3.0 2 x HDMI 2 x RJ45 1 x Audio ( Line out, MIC Combo) 2 x RS-232 2 x WIFI Antenna Holes 1 x DC-in (Lockable) 1 x Reset Button
FRONT PANEL I/O	1 x Power LED 1 x HDD LED 1 x Power Button COM (Option, Expansion Module, support RS232/422/485) Intel Gigabit LAN (Option, Expansion Module) USB3.0 (Option, Expansion Module) 16-Bits GPIO (Option, Expansion Module)
STORAGE	
SATA	1 x 2.5" SATA Device (support 2.5" HDD with a height ≤ 10mm)
MINI PCI-E	1 x Full Size Mini-PCIe Support USB2.0 & PCIe1 interface
EXPANSION	
M.2	1 x M-key 2280 (SATA) for SSD
MECHANICAL	
MOUNTING	Wall Mount, DIN Rail Clip
DIMENSIONS (W x H x D)	185.0(W) x 165.0 (D) x 48.0 (H) mm
ENVIRONMENT & CERTIFICATION	
SHOCK	15G, 11ms duration
VIBRATION	1 Grms/ 5- 500Hz/ Operation
OPERATING TEMPERATURE	0°C - 50°C (32°F - 122°F)
STORAGE TEMPERATURE	-10°C - 70°C (14°F - 158°F)
OPERATING HUMIDITY	10 - 90% Relative Humidity, Non-condensing
CERTIFICATION	CE/FCC Class A LVD

## Dimension Unit: mm



## Ordering Information

PART NUMBER	HBJC390F841VCX34B	HBJC390F841VCC34B	HBJC390F841VXX34B	HBJC390F841VXA34B
CPU	Intel® Celeron® J3455	Intel® Celeron® J3455	Intel® Celeron® J3455	Intel® Celeron® J3455
POWER REQUIREMENT	DC-in 12V	DC-in 12V	DC-in 12V	DC-in 12V
GPU	Intel® HD Graphics	Intel® HD Graphics	Intel® HD Graphics	Intel® HD Graphics
HDMI	2 x HDMI	2 x HDMI	2 x HDMI	2 x HDMI
ETHERNET	2 x 2.5GbE	2 x 2.5GbE	2 x 2.5GbE	2 x 2.5GbE
ETHERNET				4 x GbE
I/O	4 x USB 3.0	4 x USB 3.0	4 x USB 3.0	4 x USB 3.0
I/O	6 x GOM	10 x GOM	2 x GOM	2 x GOM
I/O	1 x Audio (Line-out, MIC Combo)	1 x Audio (Line-out, MIC Combo)	1 x Audio (Line-out, MIC Combo)	1 x Audio (Line-out, MIC Combo)
I/O	2 x SMA	2 x SMA	2 x SMA	2 x SMA
I/O	1 x Audio (Line-out, MIC Combo)	1 x Audio (Line-out, MIC Combo)	1 x Audio (Line-out, MIC Combo)	1 x Audio (Line-out, MIC Combo)
I/O	2 x SMA	2 x SMA	2 x SMA	2 x SMA
I/O	1 x DC-in (Lockable)	1 x DC-in (Lockable)	1 x DC-in (Lockable)	1 x DC-in (Lockable)
I/O	1 x Power Button + Power LED	1 x Power Button + Power LED	1 x Power Button + Power LED	1 x Power Button + Power LED
I/O	1 x HDD LED	1 x HDD LED	1 x HDD LED	1 x HDD LED
SATA	1 x 2.5" SATA Device	1 x 2.5" SATA Device	1 x 2.5" SATA Device	1 x 2.5" SATA Device
MINI PCI-E	1 x Full mini PCIe	1 x Full mini PCIe	1 x Full mini PCIe	1 x Full mini PCIe
M.2	1 x M-Key 2280	1 x M-Key 2280	1 x M-Key 2280	1 x M-Key 2280
OPERATING TEMPERATURE	0°C - 50°C (32°F - 122°F)	0°C - 50°C (32°F - 122°F)	0°C - 50°C (32°F - 122°F)	0°C - 50°C (32°F - 122°F)