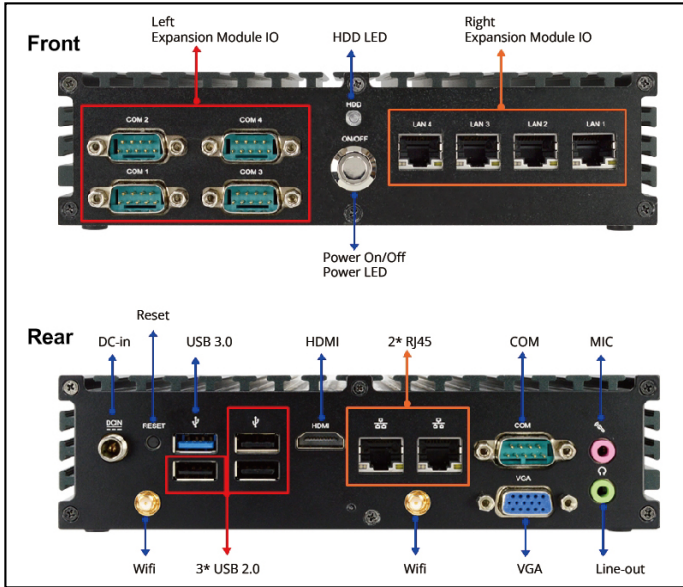


HBJC390F541S



Special

Compact Fanless Embedded System with Intel® Celeron® Processor J1900



Features

- Powered by Intel® Celeron® Processor J1900 (Bay Trail, TDP 10W)
- Dual Display Support: HDMI and VGA outputs for flexible connectivity
- Comprehensive I/O: 1 USB 3.0, 3 USB 2.0, 1 COM, 2 RJ45, 1 MIC, and 1 Line Out
- Two Expansion I/O Doors: Enables Flexible Daughter Card Integration
- Flexible Daughter Card: Configurable options for 8 LAN, 8 COM, 4 USB 3.0, or 32-bits GPIO port
- Versatile Mounting Options: Supports wall mount and DIN rail clip for easy installation

Packing List

PART NUMBER	DESCRIPTION	QTY
HBJC390F541S Series	HBJC390F541S Series	1
L01AS052-F	Lockable Adapter 12V_60W	1
Change according to shipping area	Power cord	1
HCS370MWM01B-2-F	JC37X Wall mount bracket / Black color	1
LCSCHBJC3XX-F	Screw pack	1
HCS3XXDINRAILPS-F	Din Rail Clip	1

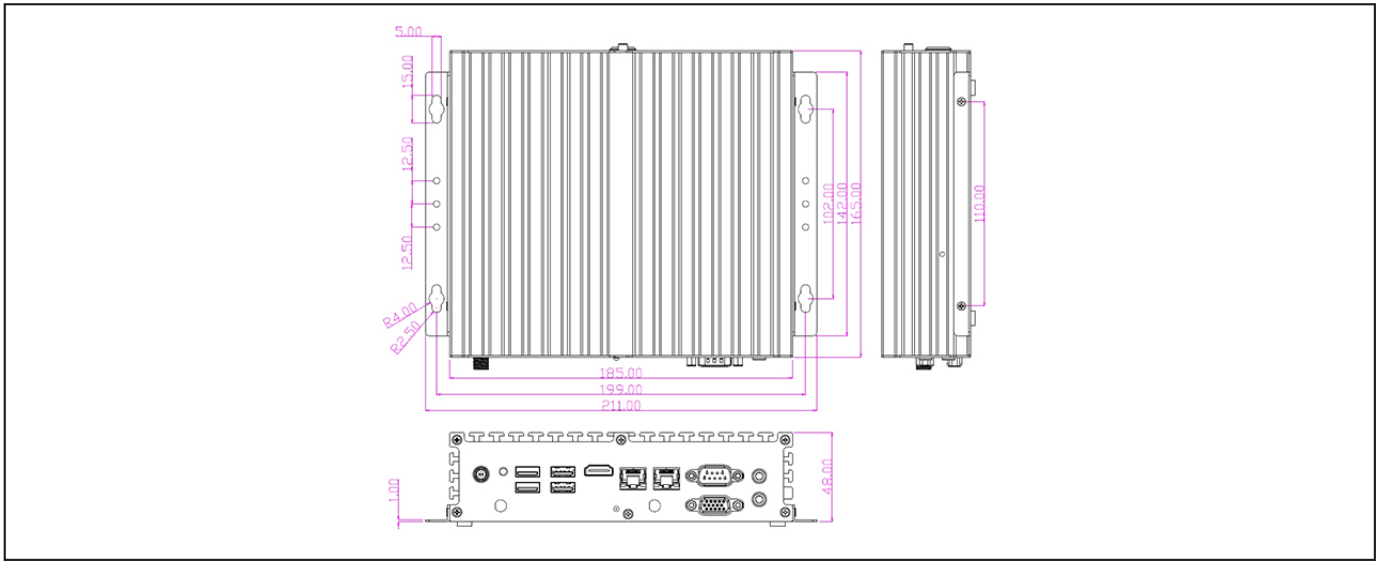
Optional Accessory

PART NUMBER	DESCRIPTION	QTY
HNSCOMWFAWCB161HF	Mini PCIe ac Wifi card (Wifi only)	1
J05-ANT-GX57245-F	Antenna2G4/5G 2.8dBi (WiFi only)	1
J2ADPIE1LAN4AR10	4xGiga LAN Daughter Board (by product model)	1
J2ADPIE1G16IR10	16 bits GPIO Daughter Card (by product model)	1
J2ADPIE1COM4R20	4xCOM Ports Daughter Board (by product model)	1
J2ADPIEU304R10	4xUSB3.0 Daughter Card (by product model)	1

Specifications

SYSTEM	
MB FORM FACTOR	Performance
CPU	Onboard Intel® Celeron® Processor J1900 (Formerly Bay Trail, TDP 10W)
CHIPSET	Intel® SoC
MEMORY	1 x DDR3L 1066/1333MHz SO-DIMM up to 8GB
BIOS	AMI Flash ROM
OS SUPPORT	Windows® 10 (64bit) Windows® 10 (32bit) Windows® 8 / 8.1 (32bit) Windows® 7 (64bit) Windows® 7 (32bit) Linux
POWER	
POWER REQUIREMENT	DC-in 12V 60W Adapter: AC90-240V, DC12V/5.0A
DISPLAY	
HDMI	1 x HDMI (Max Resolution: 1920 x 1200@60Hz)
VGA	1 x VGA (Max Resolution: 1920 x 1080 @60Hz)
LAN	
ETHERNET	2 x RJ45 for Intel® i211-AT GbE
STORAGE	
mSATA	1 x Full Size mSATA (shared with mPCIe)
EXPANSION	
SIM	1 x SIM Card Slot
OTHERS	
OTHER	WIFI (Optional)
MECHANICAL	
MOUNTING	Wall Mount, DIN Rail Clip
DIMENSIONS (W x H x D)	185.0(W) x 165.0 (D) x 48.0 (H) mm
GROSS WEIGHT	3.4 kg
NET WEIGHT	2.4 kg
ENVIRONMENT & CERTIFICATION	
SHOCK	15G, 11ms duration
VIBRATION	1 Grms/ 5- 500Hz/ Operation
OPERATING TEMPERATURE	0°C - 50°C (32°F - 122°F)
STORAGE TEMPERATURE	-10°C - 70°C (14°F - 158°F)
CERTIFICATION	CE/FCC Class A
ESG DECLARATION	EU RoHS China RoHS ErP

Dimension Unit: mm



Ordering Information

PART NUMBER	HBJC390F541SAU19	HBJC390F541SCC19	HBJC390F541SCX19	HBJC390F541SXX19
CPU	Intel® Celeron® J1900	Intel® Celeron® J1900	Intel® Celeron® J1900	Intel® Celeron® J1900
POWER REQUIREMENT	DC-in 12V	DC-in 12V	DC-in 12V	DC-in 12V
HDMI	1 x HDMI	1 x HDMI	1 x HDMI	1 x HDMI
VGA	1 x VGA	1 x VGA	1 x VGA	1 x VGA
ETHERNET	6 x GbE	2 x GbE	2 x GbE	2 x GbE
I/O	5 x USB 3.0	1 x USB 3.0	1 x USB 3.0	1 x USB 3.0
I/O	3 x USB 2.0	3 x USB 2.0	3 x USB 2.0	3 x USB 2.0
I/O	1 x Line-out	1 x Line-out	1 x Line-out	1 x Line-out
I/O	1 x MIC-in	1 x MIC-in	1 x MIC-in	1 x MIC-in
I/O	1 x COM	9 x COM	5 x COM	1 x COM
I/O	2 x SMA	2 x SMA	2 x SMA	2 x SMA
I/O	1 x DC-in (Lockable)	1 x DC-in (Lockable)	1 x DC-in (Lockable)	1 x DC-in (Lockable)
I/O	1 x Power Button + Power LED	1 x Power Button + Power LED	1 x Power Button + Power LED	1 x Power Button + Power LED
I/O	1 x HDD LED	1 x HDD LED	1 x HDD LED	1 x HDD LED
SATA	1 x 2.5" SATA Device	1 x 2.5" SATA Device	1 x 2.5" SATA Device	1 x 2.5" SATA Device
MINI PCI-E	1 x Full mini PCIe	1 x Full mini PCIe	1 x Full mini PCIe	1 x Full mini PCIe
mSATA	1 x mSATA/Mini PCIe	1 x mSATA/Mini PCIe	1 x mSATA/Mini PCIe	1 x mSATA/Mini PCIe
OPERATING TEMPERATURE	0°C - 50°C (32°F - 122°F)	0°C - 50°C (32°F - 122°F)	0°C - 50°C (32°F - 122°F)	0°C - 50°C (32°F - 122°F)